

Los Angeles County
Department of Public Works



HYDROLOGIC REPORT
1996-1997

PREPARED BY THE
HYDRAULIC/WATER CONSERVATION DIVISION

Table of Contents

Table of Contents	(i)
Appendices	(ii)
ACKNOWLEDGMENTS	4
INTRODUCTION	5
LOS ANGELES COUNTY	6
FLOOD CONTROL AND WATER CONSERVATION	8
PRECIPITATION	9
RAINFALL INDICES	10
ACTIVE RAIN GAGE STATIONS DURING WATER YEAR 1996-1997.....	11
DAILY PRECIPITATION SUMMARY	19
LOCATION MAP	20
EVAPORATION	21
ACTIVE STATIONS	22
MONTHLY SUMMARY	23
LOCATION MAP	24
RUNOFF	25
INDEX OF STREAM FLOW MEASURING STATIONS	26
STREAM GAGING STATION INFORMATION	27
DAILY DISCHARGE	27
STREAM GAGING STATION PEAK FLOW	27
LOCATION MAP	28
RESERVOIRS	29
YEARLY RESERVOIR OPERATION SUMMARY	30
FACILITIES	31
LOCATION MAP	32
EROSION CONTROL	33
LOCATION MAP	34
DEBRIS BASIN - DESIGN DATA:	35
WATER CONSERVATION	40
CONSERVING THE WATERS	40
IMPORTED WATER	40
RECYCLED WATER	40
SEAWATER BARRIER PROJECTS	41
SEASONAL DATA AND MAPS	41
GROUNDWATER BASINS AND GROUNDWATER RECHARGE	42
S U M M A R Y	45
<i>SPREADING FACILITIES OWNED AND OPERATED BY THE DEPARTMENT</i>	45
<i>NON DPW FACILITIES</i>	45
<i>TOTAL MONTHLY WATER CONSERVED</i>	45
<i>IMPORTED WATER OUTLET RELEASES</i>	45
<i>RECLAIMED WATER</i>	45
<i>GROUND WATER FLUCTUATION</i>	45
<i>KEYWELL LOCATION MAP</i>	46

Appendices

DAILY PRECIPITATION SUMMARY	A
STREAM GAGING STATION INFORMATION	B
DAILY DISCHARGE	C
YEARSLY RESERVOIR OPERATION SUMMARY	D
EROSION CONTROL - LOCATION MAP	E
SUMMARY OF WATER CONSERVATION	
SPREADING FACILITIES OWNED AND OPERATED BY DEPARTMENT	F
NON DPW FACILITIES	G
TOTAL MONTHLY WATER CONSERVED	H
IMPORTED WATER OUTLET RELEASES	I
RECLAIMED WATER	J
GROUND WATER FLUCTUATION	K
<i>COASTAL PLAIN, CITY OF LONG BEACH</i>	<i>K - 1</i>
<i>COASTAL PLAIN</i>	<i>K - 2</i>
<i>COASTAL PLAIN, CITY OF LONG BEACH</i>	<i>K - 3</i>
<i>CENTRAL BASIN</i>	<i>K - 4</i>
<i>MAIN SAN GABRIEL BASIN</i>	<i>K - 5</i>
<i>MAIN SAN GABRIEL BASIN, BALDWIN PARK</i>	<i>K - 6</i>
<i>POMONA BASIN</i>	<i>K - 7</i>
<i>SAN FERNANDO VALLEY, CANOGA PARK</i>	<i>K - 8</i>
<i>SAN FERNANDO VALLEY, BURBANK</i>	<i>K - 9</i>
<i>RAYMOND BASIN</i>	<i>K - 10</i>
<i>SAN GABRIEL CANYON BASIN, NORTH OF AZUSA</i>	<i>K - 11</i>
<i>UPPER CLAREMONT HEIGHTS</i>	<i>K - 12</i>
<i>SAN CLARITA VALLEY, NEAR CASTAIC JUNCTION</i>	<i>K - 13</i>
<i>LITTLE ROCK, SOUTH OF PALMDALE</i>	<i>K - 14</i>
<i>ANTELOPE VALLEY, SOUTH OF LANCASTER</i>	<i>K - 15</i>

Acknowledgments

This report was prepared by the Hydraulic/Water Conservation Division under the direction of Robert D. Pedigo, Assistant Deputy Director. The following people contributed to the completion of this report in the hard copy format.

Data Collection and Processing:
OPERATIONS STAFF:

Marshall Bonaparte
Rodney Brown
D. Carpenter *Supervising*
Joe Doughly
Ernesto Esguerra
Nellie Gonda
Arthur Gotingco
Soo Khoo
S. Morrison *Supervising*
M. RamosAlex Rivera
Armando Rodriguez
Kevin Smith
Romano Sy
Robert Velez
Don Wilson
Irene Wong

General Supervision and Coordination:
Reza Izadi

Supervision:
Tzuo Su
Pat Wood

Coordination:
G. Farag
J. Keith

Graphic Design, Layout, Art Production:
Joann Raccippio
Joe Garcia - Map Specialist
Rodney Brown - Map Specialist

DISCLAIMER

The information contained in this report was valid at the time of publication. The Department of Public Works reserves the right to make changes at any time and without notice, and assumes no liability for any damages incurred directly or indirectly as a result of changes errors, omissions or discrepancies.

(C) Copyright, 1997 Science Applications Internation Corporation (SAIC).

All material (maps, files, data, code and design specifications) used in the traffic server are the intellectual property of the authors and SAIC and are licensed to the County of Los Angeles for the exclusive use of the County. Some maps and map data are the copyrighted property of Thomas Brothers Maps, Inc. and are used with permission under their licensing agreement with the County of Los Angeles.

Introduction

This report discusses hydrologic data relative to Los Angeles County for the period beginning October 1, 1996 and ending September 30, 1997. The Department has revised the format of this report to provide users with more useful data and a more efficient means of utilizing that data. The report consists of six sections.

PRECIPITATION

Lists 273 active rainfall stations for which unpublished rainfall data are on file at the Department.

EVAPORATION

Lists 13 evaporation station locations. Unpublished evaporation data from previous years are in file at the Department.

RUNOFF

Lists 65 active streamflow stations. The mean of the daily flow rates during the reporting period, the reporting period's peak flowrate and historical peak flow rate for each of these stations are contained in this section. Unpublished stream flow data are on file at the Department.

RESERVOIRS

Lists 15 dams and reservoirs for which inflow, outflow and storage data are on file at the Department.

EROSION CONTROL

List 115 debris basins. Data on the debris production amounts for the reporting period are contained in this section. Unpublished debris production and inflow data are on file at the Department.

WATER CONSERVATION

Lists 32 groundwater recharge locations. Data on the water conserved at various facilities and water injected at seawater barrier projects during the reporting period, and historical well level data for key wells are contained in this section. Unpublished water conservation data from previous years are on file at the Department.

Unpublished information may be obtained by contacting:

**Los Angeles County Department of Public Works
Water Resources Division
P.O. Box 1460
Alhambra, CA 91802-1460**

...or telephone: (626) 458-6120

Los Angeles County

TOPOGRAPHY:

The County of Los Angeles covers an area of 4,083 square miles and measures approximately 66 miles in the east - west and 73 miles in the north - south directions.

The terrain within the County can be classified in broad terms as being 25 percent mountainous; 14 percent coastal plain; and 61 percent hills, valleys, or deserts. Relief of the terrain ranges from sea level to a maximum elevation of 10,000 feet. The coastal plain is generally of mild slope and contains relatively few depressions or natural ponding areas. The slopes of main river systems crossing the coastal plain, such as the San Gabriel River, Los Angeles River, and Ballona Creek, range from 4 to 14 feet per mile.

Topography in the mountainous area is generally rugged with deep, V-shaped canyons separated by sharp dividing ridges. Steep walled canyons with side slopes of 70 percent or more are common. The gradient of principal canyons in the San Gabriel Mountains ranges from 150 to 850 feet per mile. Mountain ranges are aligned in a general east-west direction with the dominant range being the San Gabriel Mountains. The majority of mountain ridges lie below Elevation 5,000 feet. The total area above this level is approximately 210 square miles.

GEOLOGY - SOILS:

Igneous, metamorphic, and sedimentary rock groups are all present within the County. The San Gabriel Mountains and Verdugo Hills are composed primarily of highly fractured igneous rock, with large areas of granitic rock formation being exposed. Faulting and deep weathering have produced porous zones in the rock formation; however, rock masses have produced a comparatively shallow soil mantle due to the steepness of slopes which accelerates erosion of the fine material.

Other mountains and hilly reaches are composed primarily of folded and faulted sedimentary rocks, including shale, sandstone, and conglomerate. Residual soils in these areas are shallow and generally less pervious than those of the San Gabriel Mountain range.

Valley and desert soils are alluvial and vary from coarse sand and gravel near canyon mouths to silty clay, clay and sand and gravel in lower valleys and the coastal plain. The alluvial fill has accumulated by repeated deposition of sediments to depths as great as several thousand feet. This fill is quite porous in areas of relatively low clay content. Geologic structures and irregularities in the underlying bedrock divide the alluvium into several groundwater basins. Valley soils are generally well drained but there are a few areas containing perched water.

LAND USE:

The principal vegetative cover of upper mountain areas consists of various species of brush and shrubs known as chaparral. Most trees found on mountain slopes are oak, with alder, willow, and sycamore found along streambeds at lower elevations. Pine, cedar, and juniper are found in ravines at higher elevations and along high mountain summits. The chaparral is extremely flammable, and extensive burns of the mountain vegetation frequently occur during dry, low-humidity weather accompanied by high winds. Chaparral has the ability to sprout following fire and grows rapidly to re-establish the watershed cover within a period of 5 to 10 years.

Grasses are the principal natural vegetation on the hills. Much of the hill land and nearly all of the valley land in the densely populated portion of the County south of the San Gabriel Mountains has been converted to urban and suburban use. Development of the Santa Clarita Valley and desert areas to the north of the San Gabriel Mountains is sparse at present but is proceeding rapidly.

CLIMATE:

The climate within the County varies between subtropical on the Pacific Ocean side of the San Gabriel Mountain range to arid in the Mojave Desert. Nearly all precipitation occurs during the months of December through March. Precipitation during summer months is infrequent, and rainless periods of several months are common. Snowfall at elevations above 5,000 feet is frequently experienced during the winter storms, but the snow melts rapidly except on higher peaks and the northern slopes. Snow is rarely experienced on the coastal plain.

January and July are the coldest and warmest months of the year, respectively. At the Los Angeles civic center, the 30-year average daily minimum temperature for January is 48 degrees (Fahrenheit) above zero. The average daily maximum temperature for July is 84 degrees. At Mount Wilson (Elevation 5,850 feet), the 30-year average daily minimum temperature for January is 35 degrees above zero and the average daily maximum temperature for July is 80 degrees.

HYDROMETEOROLOGIC CHARACTERISTICS:**Coastal and Mountain Areas**

Precipitation (rainfall) in the Los Angeles area occurs primarily in the form of winter orographic rainfall associated with extra tropical cyclones of North Pacific origin. Major storms consist of one or more frontal systems and occasionally last four days or longer. Air masses and frontal systems associated with major storms commonly extend for 500 to 1,000 miles in length and produce rainfall simultaneously throughout the County. Major storms approach Southern California from the west or northwest with southerly winds which continue until frontal passage. The mountain ranges lie directly across the path of the inflow of warm, moist air, and orographic effects greatly intensify precipitation.

The seasonal normal rainfall in Los Angeles County ranges from 27.50 inches in the San Gabriel Mountains to 7.83 inches in the desert. The annual County average for the annual rainfall for Los Angeles County is 15.65 inches. The effects of snowmelt upon flood runoff is of significance in the few cases when warm spring rains from southerly storms fall on a snowpack. During major storms, temperatures throughout the County may remain above freezing. Average individual storm rainfall amounts and intensities conform to a fairly definite aerial pattern which reflects general effects of topographic differences.

Desert Areas

Summer convective rainfall is principally experienced in the upper San Gabriel Mountains and the Mojave Desert regions. In many desert areas, the most serious flooding occurs as a result of summer convective storms.

RUNOFF CHARACTERISTICS:**Mountain Areas**

In mountain areas, the steep canyon slopes and channel gradients promote a rapid concentration of storm runoff. Depression storage and detention storage effects are minor in the rugged terrain. Soil moisture during a storm has a pronounced effect on runoff from the porous soils supporting a good growth of deep-rooted vegetation such as chaparral. Soil moisture deficiency is greatest at the beginning of a rainy season, having been depleted by the evapotranspiration process during the dry summer months. Precipitation during periods of soil moisture deficiency is nearly entirely absorbed by soils, and except for periods of extremely intense rainfall, significant runoff does not occur until soils are wetted to capacity. Due to high infiltration rates and porosity of mountain soils, runoff occurs primarily as subsurface flow or interflow in addition to direct runoff. Spring or base flow is essentially limited to portions of the San Gabriel Mountain range. Consequently, most streams in the County are intermittent.

Runoff from a mountain watershed recently denuded by fire exceeds that for the unburned state due to greatly increased quantities of inorganic debris present in the flow and increased direct runoff resulting from lowered infiltration rates. Debris production from a major storm has amounted to as much as 223,000 cubic yards per square mile of watershed. Boulders up to eight feet in diameter have been deposited in valley areas a considerable distance from their source.

Debris quantities equal in volume to storm runoff, representing a 100 percent bulking of runoff from a major storm, have been recorded. Where debris-laden flow traverses an alluvial fill unconfined by flood control works, flood discharges follow an unpredictable path across the debris cone formed at the canyon mouth.

Hill and Valley Areas

In hill areas, runoff concentrates rapidly from the generally steep slopes; however, runoff rates from undeveloped hill areas are normally smaller than those from mountain areas of the same size. In those hill areas which have been developed for residential use, concentration times become considerably decreased due to drainage improvement, and runoff volumes and rates have increased due to increased imperviousness. On the other hand, erosion is controlled and debris is minimized from storm flows. Debris production rates from undeveloped hill areas are normally smaller than those from mountain areas of the same size.

In highly developed valley areas, local runoff volumes have increased as the soil surface has become covered by impervious materials. Peak runoff rates for valley areas have also increased due to elimination of natural ponding areas and improved hydraulic efficiency of water carriers such as streets and storm drain systems.

Flood Control & Water Conservation

FLOODS . . . AN OLD STORY:

Floods in Los Angeles County have been recorded as far back as the days of the Mission Padres. For centuries waters have swept out of the San Gabriel Mountains causing extensive property damage and taking a great toll of lives.

Such a flood occurred in 1914 causing over \$10 million in property damage and taking many lives. As a result, the State legislature in 1915 enacted the statute creating the Los Angeles County Flood Control District. The responsibilities and authority vested in the Flood Control District were, in 1985, transferred to and are now part of the Los Angeles County Department of Public Works.

The Department, under the Flood Control Act, has two tasks. . . control the floods and conserve the water.

CONTROLLING THE WATERS:

Successful early bond issues financed construction of the 15 dams which the Department built in the San Gabriel Mountains and foothills to impound storm waters until they could be safely released. Debris basins were constructed to trap eroded materials which had caused terrible damage in the past. Flood channel improvements were undertaken to confine the waters and convey them safely through the urbanized areas to the ocean.

District engineers prepared a Comprehensive Plan in the early 1930's which would control flooding and save as much of the water as practicable when fully implemented.

Federal legislation in 1936 brought the United States Army Corps of Engineers into the local flood control picture. Since that time, the two agencies have been jointly pursuing implementation of the Comprehensive Plan. The Department also cooperates with the United States Natural Resources Conservation Service and Forest Service in erosion control.

CONSERVING THE WATERS:

In addition to its flood control program, the Department has the equally important mission of conserving as much of the storm and other waste waters as practicable. The use of water conservation facilities in or adjacent to river channels and their tributaries permits water to be percolated into groundwater aquifers or basins for later pumping and supply to consumers. These water conservation facilities are located in areas where the underlying soils are composed of porous sands and gravel formations. Some are shallow and resemble rice paddies, while others are deep basins which were once gravel pits.

The importance of this activity is apparent when it is realized that about 30 to 40 percent of the water used in the County is pumped from groundwater supplies. The growth of the County, combined with periodic droughts, seriously depleted these supplies on numerous occasions throughout the history of the County.

Other major conservation efforts by the Department include combating the serious salt water intrusion into groundwater supplies inland from the Pacific Ocean and utilizing imported and reclaimed water to help replenish groundwater supplies.

ORGANIZED TO DO THE JOB:

Day-to-day administration of Department affairs is vested in the Director of Public Works who is appointed by and responsible to the Los Angeles County Board of Supervisors. A part of the Department's activities involve the planning, design and construction of flood control and water conservation facilities, and the operation and maintenance of dams, debris basins, spreading grounds, channels, and storm drains.

P R E C I P I T A T I O N

PRECIPITATION

The Department operates and maintains a network of rain gage stations to collect rainfall (precipitation) data for the purposes of in-house engineering and design of flood control and water conservation facilities.

RAINFALL AMOUNTS:

Although the Department operates and maintains 273 raingage stations including those which record amounts for duration ranging from 5 minutes to 24 hours, only daily and annual amounts for the report period are listed herein. Additional data (e.g., intensities) can be obtained by contacting the custodian of hydrologic records.

ALERT SYSTEM

Automated Local Evaluation in Real Time:

The Department of Public Works operates and maintains a state-of-the-art ALERT computer system to monitor meteorological conditions in the County and Southern California in real time, i.e., as they occur. The system includes a network of field sensors that monitor and receive precipitation amounts including rainfall data from the Corps of Engineers' Los Angeles Telemetry System. During the 1996-97 Water Year the Department converted all of its automatic recording raingage stations from weighing bucket mechanisms to ALERT stations with tipping bucket mechanisms.

COOPERATION:

The cooperation of observers in furnishing rainfall data to the Department as a public service is appreciated. The effort of the many agencies and individuals who have so freely cooperated with us in the collection of this data have resulted in the large number of complete records for the period covered by this report.

Data from 22 stations of the Department's records are reported and published by the National Oceanic and Atmospheric Administration (NOAA).

CUSTODIAN:

Unpublished information may be obtained by contacting:

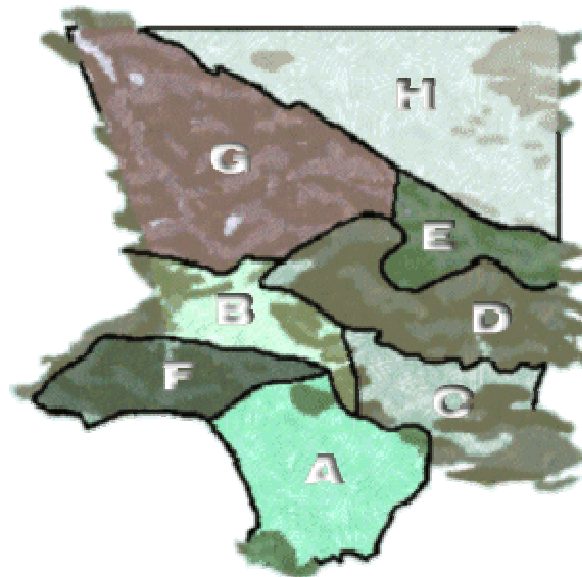
Los Angeles County Department of Public Works
Water Resources Division
P.O. Box 1460
Alhambra, CA 91802-1460
...or telephone: (626) 458-6120

P R E C I P I T A T I O N

RAINFALL INDICES
 USING SELECTED STATIONS
 FOR THE PERIOD OCTOBER 1, 1996 THROUGH SEPTEMBER 30, 1997 **

Area	Percent of Area	Seasonal Normal (inches)	Total Percipitation	Percent of Seasonnal Normal
A. COASTAL PLAIN	14.1%	13.71	13.55	99%
B. SAN FERNANDO VALLEY	7.9%	17.62	17.72	101%
C. SAN GABRIEL VALLEY	7.5%	17.64	17.42	99%
D. SAN GABRIEL MTS.	13.4%	27.50	25.27	92%
E. LITTLE ROCK, BIG ROCK	4.5%	18.61	13.34	72%
F. SANTA MONICA MTS.	5.7%	19.96	18.09	91%
G. SANTA CLARA	18.9%	16.64	13.22	79%
H. DESERT	28.0%	7.83	5.01	64%
County*	100.0%	15.65	13.54	87%
LOS ANGELES (STATION #716)		15.51	14.33	92%
COGSWELL DAM (STATION #334B)		32.88	28.78	88%

* - Season Normal and Total Precipitation to Date sections of this line are derived from Area Weighted Average.
 ** - Data Revised March 2011



PRECIPITATION

Active Rain Gage Stations During Water Year 1996 - 1997 *

Station No.	Station Name	Gage Type	Thomas Guide Page	North Latitude	West Longitude	Gage Elev. (ft)	Season Total (in)	Notes
5B	Calabasas	S	100 F3	34-09-24	118-38-14	924	15.09	
6	Topanga Patrol Station	DA	590 A7	34-05-03	118-35-57	745	20.74	E
9B	Sepulveda and Rayen	S	531 H1	34-13-52	118-28-04	828	14.80	
10A	Bel Air Hotel	DA	592 B7	34-05-11	118-26-45	540	18.78	
11D	Upper Franklin Canyon Reservoir	SP	592 F2	34-07-10	118-24-35	867	15.53	E
13C	North Hollywood-Lakeside	S	563 B5	34-08-46	118-21-13	550	15.54	
14C	Roscoe-Merrill	S	503 B6	34-14-19	118-21-32	1050		NA
15A	Van Nuys	S	561 G	34-10-48	118-27-03	695		NA
17	Sepulveda Canyon At Mulholland	DA	561 E7	34-07-51	118-29-26	1425	19.17	
20B	Girard Reservoir	S	559 J4	34-09-07	118-36-36	986	13.88	E
21B	Woodland Hills	S	560 A2	34-10-14	118-35-33	875	13.61	
23B	Chatsworth Reservoir	SP	529 G1	34-13-44	118-37-18	900	15.96	A
25C	Northridge-L.A.D.W.P.	SP	530 H1	34-13-52	118-32-28	810	15.15	E
32C	Newhall - Fire Station 73	AP S	4550 J7	34-23-07	118-31-54	1243	12.42	E
33A	Pacoima Dam	SA	4642 F7	34-19-48	118-23-59	1500	19.16	
42C	Redondo Beach-City Hall	S	762 G5	33-50-43	118-23-20	70	13.13	E
43D	Palos Verdes Estates	S	792 H4	33-47-58	118-23-29	216	12.65	E
44A	Point Vicente Lighthouse	DA	822 F5	33-44-30	118-24-38	125	10.65	E
46D	Big Tujunga Dam	SA	4725 C6	34-17-40	118-11-14	2315	22.38	
47D	Clear Creek-City School	DA	505 F1	34-16-38	118-10-12	3150	26.78	
53D	Colby's	DA	4726 C4	34-18-05	118-06-39	3620	22.19	E
54C	Loomis Ranch-Alder Creek	DA	4557 A4	34-20-55	118-02-54	4325	18.16	E
57B	Camp Hi Hill (Opids)	DA	506 E3	34-15-18	118-05-41	4250	29.54	E
63C	Santa Anita Dam	S DA	537 E2	34-11-03	118-01-12	1400	30.18	
67G	Monrovia-Mountain Avenue	S	567 J4	34-08-46	117-59-05	602	20.29	
68C	Sawpit Dam	SA	537 J7	34-10-30	117-59-07	1375	27.19	
82F	Table Mountain	S	4561 G6	34-22-56	117-40-39	7420	15.03	E
83B	Big Pines Recreation Park	DA	4561 F6	34-22-44	117-41-20	6860	15.71	E
89B	San Dimas Dam	SA	570 F2	34-09-10	117-46-17	1350	24.37	
93C	Claremont-Police Station	8.81	601 C3	34-05-45	117-43-18	1170	17.79	E
95	San Dimas-Fire Warden	S	600 B3	34-06-26	117-48-19	955	18.05	E
96C	Puddingstone Dam	S DA	600 B4	34-05-31	117-48-24	1030	18.47	
102D	Walnut-N.I. Industries	S	679 E3	34-00-11	117-52-10	500	18.05	
106F	Whittier City Yard	S	677 B5	33-58-57	118-02-50	300	12.83	E

LEGEND

8.81	8.81 inch diameter no-recording gage owned by the Public Works
AP	Automatic recording gage owned by outside interest
DA	Daily Automatic
S	Standard 8 inch diameter non-recording gage owned by the Public Works
SA	Automatic recording gage owned by the Public Works
SP	Standard 8 inch diameter non-recording gage owned by outside interest

NOTES:

E	Estimate
A	Accumulated Total
I	Incomplete
TI	Temporary Inactive
NA	Not Available

PRECIPITATION

Active Rain Gage Stations During Water Year 1996 - 1997 *

Station No.	Station Name	Gage Type	Thomas Guide Page	North Latitude	West Longitude	Gage Elev. (ft)	Season Total (in)	Notes
107D	Downey-Fire Department	S	705 J7	33-55-48	118-08-47	110	13.95	
108D	El Monte Fire Station	S	597 C7	34-04-30	118-02-30	275	16.34	
109D	West Arcadia	S	566 G7	34-07-42	118-04-22	547	16.38	
110B	Alhambra	S	569 A4	34-05-40	118-07-41	533	17.61	
120	Vincent Patrol Station	S	4375 H6	34-29-17	118-08-27	3135	7.01	
125B	San Francisquito Canyon Ph#1 - Saugus	SP	X	34-35-25	118-27-15	2105	15.80	
128B	Elizabeth Lake	DA	X	34-36-28	118-33-40	2075	23.29	E
134C	Puddingstone Diversion	8.81	570 F5	34-07-52	117-46-55	1160	19.08	
143B	Azusa-City Park	S	568 J	34-08-03	117-54-17	610	20.21	I
144	Sierra Madre Dam	S	537 B4	34-10-34	118-02-32	1100	26.24	
156B	La Mirada-Standard Oil Company	DA	737 F5	33-52-59	118-01-00	75	13.46	
158	Tanbark Flats	DA	IX	34-12-20	117-45-40	2750	1.70	I
167C	Arcadia Pumping Plant #1	S	567 D2	34-09-31	118-02-02	611	21.81	E
169	Sierra Madre Pumping Plant	SP	567 B2	34-09-47	118-02-21	700	23.84	
170F	Potrero Heights	S	636 H5	34-02-32	118-04-44	285	17.25	
172B	Duarte	S	568 C4	34-08-26	117-58-02	548	15.49	A
174B	Glendora	S	570 A6	34-07-43	117-49-08	930	20.40	
175B	La Canada Irrigation District	S	535 A1	34-13-39	118-12-40	2020	23.68	
176	Altadena-Rubio Canyon	SP	536 A1	34-10-55	118-08-15	1125	18.42	
191C	L.A.C.D.P.W.-Warehouse	DA	635 B	34-03-48	118-11-58	400	2.94	I
193C	Covina-Nigg	S	599 D5	34-04-55	117-52-25	575	17.92	
196C	La Verne-Fire Station	S	600 G2	34-06-06	117-46-20	1050	18.68	
200	Saugus-S.C. Edison Co.	S	4550	34-25-21	118-34-26	1096		NA
201D	Hacienda Heights	DA A	677 J4	33-59-40	117-59-28	875	18.62	
210C	Brand Park	DA	534 C6	34-11-18	118-16-20	1250	12.52	
216C	Glendale - Jackson	S	564 F5	34-09-54	118-15-01	615	16.24	E
223C	Big Dalton Dam	SA	570 B1	34-10-06	117-48-36	1587	27.47	
224D	Long Beach-Alamitos L	S	796 A	33-46-42	118-08-04	45		NA
225	Montana Ranch-Lakewood	S	766 C4	33-50-35	118-07-09	47	15.30	
226B	Burbank Fire Station	S	533 H7	34-10-58	118-18-23	680	11.52	I
227D	San Gabriel-Bruington-Orton	S	596 D2	34-06-18	118-06-32	472	16.08	
228C	Beverly Hills City Hall	S	632 G1	34-06-00	118-23-40	245	18.02	A
235C	Henniger Flats	8.81	536 F5	34-11-38	118-05-17	2550	22.73	E
237C	Stone Canyon Reservoir	SP	591 J3	34-06-21	118-27-13	865	19.47	

LEGEND

8.81	8.81 inch diameter no-recording gage owned by the Public Works
AP	Automatic recording gage owned by outside interest
DA	Daily Automatic
S	Standard 8 inch diameter non-recording gage owned by the Public Works
SA	Automatic recording gage owned by the Public Works
SP	Standard 8 inch diameter non-recording gage owned by outside interest

NOTES:

E	Estimate
A	Accumulated Total
I	Incomplete
TI	Temporary Inactive
NA	Not Available

PRECIPITATION

Active Rain Gage Stations During Water Year 1996 - 1997 *

Station No.	Station Name	Gage Type	Thomas Guide Page	North Latitude	West Longitude	Gage Elev. (ft)	Season Total (in)	Notes
238	Hollywood Dam	SP	593 F2	34-07-04	118-19-55	750	17.19	E
250D	Acton Camp	DA	4465 A5	34-27-02	118-11-55	2625	8.31	E
251C	La Crescenta	S	534 F1	34-13-20	118-14-40	1440	20.99	A
252C	Castaic Lake	SP AP	4369	34-29-53	118-36-53	1150	13.47	
255F	Mount San Antonio College-Spadra	S	639 J4	34-02-41	117-50-19	720	15.94	E
261F	Acton-Escondido Canyon	DA	4374 B6	34-29-42	118-16-22	2960	6.96	E
269D	Diamond Bar Fire Station	SP	680 B2	33-59-50	117-48-55	870	17.94	
277	Sawmill Mountain	S	X	34-43-15	118-35-00	3700	17.09	
280C	Flintridge-Sacred Heart	DA	535 E7	34-10-54	118-11-08	1600	17.52	E
283C	Crystal Lake-East Pine Flat	DA	4651 G1	34-19-02	117-50-28	5370	31.79	E
287B	Glendora-City Hall	8.81	569 E5	34-08-09	117-51-52	785	22.87	E
290B	Monterey Park-Fire Station	S	636 A5	34-02-27	118-07-42	305	13.98	
291	Los Angeles-96th and Central	DA	704 E5	33-56-56	118-15-17	121	12.23	
292D	Encino Reservoir	S	561 B4	34-08-56	118-30-57	1075	17.53	
293B	Los Angeles Reservoir	SP	481 E5	34-17-18	118-28-54	1150	19.12	
294B	Sierra Madre-Mira Monte Pumping Plant	SP	567 A1	34-10-11	118-02-51	985	25.78	E
298C	Gorman - Sheriff	DA	X	34-47-47	118-51-27	3835	10.08	E
299F	Little Rock - Schwab	S	4287 H7	34-32-12	117-58-43	2800	4.42	
303F	Pasadena - Cal.tech.	S	566 B6	34-08-14	118-07-25	800		NA
306H	Zuma Beach	S	667 B1	34-01-15	118-49-42	15	16.31	
321	Pine Canyon Patrol Station	DA	4102 C3	34-40-24	118-25-45	3286	10.36	E
322	Munz Valley Ranch	S	4013 A4	34-42-50	118-21-15	2600	6.80	
334B	Cogswell Dam	SA	XI	34-14-37	117-57-35	2300	28.78	
336	Silver Lake Reservoir	SP	537 A1	34-06-08	118-15-54	445	14.51	E
338C	Mt. Wilson-Observatory	SP	571 G6	34-14-07	118-04-28	5709	33.28	
342C	Upland-Water Facilities Authority	S	626 F2	34-07-33	117-40-52	1610	19.96	
352B	Lechuza Patrol Station	DA	594 A5	34-04-38	118-52-47	1620	19.95	E
355B	Los Angeles City College	AP S	594 A5	34-05-14	118-17-28	310		NA
356C	Spadra-Lanterman Hospital	S DA	640 B4	34-02-31	117-48-35	690	18.41	E
372	San Francisquito Power House No.2	SP DA	X	34-32-02	118-31-27	1580	8.60	
373C	Briggs Terrace	S	504 H6	34-14-17	118-13-27	2200	23.33	
377F	Lake Sherwood Estates	SP AP	557 A4	34-08-26	118-52-31	960	19.63	
379B	San Gabriel-East Fork	DA	510 B5	34-14-09	117-48-18	1600		NA
387B	Covina City Yard	SP	599 B5	34-05-02	117-53-57	508	17.71	

LEGEND

8.81	8.81 inch diameter no-recording gage owned by the Public Works
AP	Automatic recording gage owned by outside interest
DA	Daily Automatic
S	Standard 8 inch diameter non-recording gage owned by the Public Works
SA	Automatic recording gage owned by the Public Works
SP	Standard 8 inch diameter non-recording gage owned by outside interest

NOTES:

E	Estimate
A	Accumulated Total
I	Incomplete
TI	Temporary Inactive
NA	Not Available

PRECIPITATION

Active Rain Gage Stations During Water Year 1996 - 1997 *

Station No.	Station Name	Gage Type	Thomas Guide Page	North Latitude	West Longitude	Gage Elev. (ft)	Season Total (in)	Notes
388D	Paramount-County Fire Department	8.81	735 G4	33-53-50	118-10-02	80	19.05	
390B	Morris Dam	SP	539 C6	34-10-53	117-52-43	1210	26.09	
391C	Montebello-Fire Department	8.81	676 E2	34-01-08	118-06-15	250	18.98	E
394	Highland Park	S	595 E1	34-07-06	118-10-39	620	15.53	A
402F	Cedar Springs	DA	XI	34-21-21	117-52-34	6780	21.56	
405B	Soledad Canyon	S	4463 J6	34-26-23	118-17-33	2150	11.03	
406C	West Azusa	S	598 H2	34-06-53	117-54-56	505	18.97	
409B	Pyramid Reservoir	SP	X	34-40-34	118-46-47	2505	10.57	
415	Signal Hill-City Hall	S DA	795 G3	33-47-49	118-10-03	140	13.60	
423C	Angeles Forest-Aliso	DA	XI	34-24-57	118-05-26	3920	19.38	E
425B	San Gabriel Dam	S DA	509 E3	34-12-19	117-51-38	1481	30.40	
434	Agoura	DA	558 B7	34-08-08	118-45-08	800	14.06	
435	Monte Nido	DA	628 J1	34-04-41	118-41-35	600	19.26	
436C	Hansen Dam	DA	502 G3	34-16-08	118-23-59	1110	12.69	
442C	Mescal Creek	S	XI	34-29-05	117-44-10	3570	3.97	
443B	Latigo Canyon-Beach R	S	587 D	34-05-35	118-48-52	1700	24.41	I
446	Aliso Canyon-Oat Mountain	DA	480 F3	34-18-53	118-33-25	2367	26.26	
447C	Carbon Canyon	S	629 F6	34-02-18	118-38-56	50	14.98	
449B	Eaton Wash Dam	S DA	566 E1	34-10-06	118-05-33	880	19.31	A
453D	Devil's Gate Dam	DA	535 E7	34-10-53	118-10-27	980	16.99	A
455B	Lancaster-State Hwy Maintenance Sta.	S	4105 J1	34-40-57	118-08-02	2395	4.34	
462B	Los AngelesHillcrest Country Club	S	632 F4	34-02-54	118-24-06	185	17.32	
465C	Sepulveda Dam	S DA	561 G2	34-10-06	118-28-11	683	14.56	
480B	Temple City Fire Station	S	597 A2	34-06-31	118-03-25	404		NA
482	Los Angeles-U.S.C.	S	674 A1	34-01-14	118-17-15	208	12.97	E
488B	Kagel Canyon Patrol Station	S	482 D5	34-17-45	118-22-30	1450	14.82	E
491D	Pacific Palisades	S	630 J6	34-02-22	118-31-43	293	16.16	
492A	Chilao - State Highway Maintenance Sta.	DA	4557 F1	34-19-05	118-00-30	5275	20.78	
493D	Sand Canyon-Macmillan	DA	4552 D7	34-23-17	118-24-50	1805	7.73	I
497	Claremont-Slaughter	S	571 B7	34-07-35	117-43-55	1350	19.59	
517B	Lewis Ranch	S DA	XI	34-25-12	117-53-11	4615	9.06	E
542	Fairmont	SP	X	34-42-15	118-25-40	3050	11.13	E
560A	La Verne Heights	S	640 A	34-06-02	117-45-02	1210		NA
564C	Llano	S	4379 F5	34-29-13	117-50-02	3390	3.56	

LEGEND

8.81	8.81 inch diameter no-recording gage owned by the Public Works
AP	Automatic recording gage owned by outside interest
DA	Daily Automatic
S	Standard 8 inch diameter non-recording gage owned by the Public Works
SA	Automatic recording gage owned by the Public Works
SP	Standard 8 inch diameter non-recording gage owned by outside interest

NOTES:

E	Estimate
A	Accumulated Total
I	Incomplete
TI	Temporary Inactive
NA	Not Available

PRECIPITATION

Active Rain Gage Stations During Water Year 1996 - 1997 *

Station No.	Station Name	Gage Type	Thomas Guide Page	North Latitude	West Longitude	Gage Elev. (ft)	Season Total (in)	Notes
591B	Santa Anita Reservoir	SP	536 E7	34-11-08	118-06-16	1205	19.54	
598C	Neenach-Erstad	S	X	34-46-28	118-35-55	3062		NA
598D	Neenach-Check 43-California D.W.R.	SP	X	34-47-40	118-37-15	2965	6.03	
610B	Pasadena-City Hall	SP	565 J4	34-08-54	118-08-36	864	17.52	
612B	Pasadena-Chlorine Plant	SP	535 F3	34-12-04	118-09-49	1160	21.01	
613C	Pasadena Fire Station	SP	566 A6	34-07-15	118-08-05	779	16.96	E
619	San Antonio Canyon-Sierra Power House	DA	XI	34-12-29	117-40-26	3110	28.60	
627	San Gabriel Canyon-Power House	SP DA	568 J3	34-09-20	117-54-28	744	25.22	
634C	Santa Monica	S	671 E2	34-00-43	118-29-27	94	13.85	
662D	Long Beach Airport	SP	791 J1	33-49-00	118-09-00	34	14.13	
680B	Westwood (U.C.L.A.)	SP	632 B1	34-04-10	118-26-30	430	17.75	
683B	Sunset Ridge	S	535 F5	34-12-53	118-08-47	2110	21.70	
694G	Big Tujunga Canyon-Cmp	DA	X	34-17-22	118-17-17	1525	14.33	
695B	Tujunga Canyon-Vogel Flat	S	X	34-17-12	118-13-32	1850	22.05	
716	Los Angeles-Ducommun St.	SP A AP	634 H4	34-03-09	118-14-13	306	14.33	
726C	Angeles Crest Guard Station	S	X	34-14-01	118-11-04	2300	29.08	E
734C	Los Angeles International Airport	SP	702 G5	33-56-25	118-23-44	105	13.52	
735H	Bell Canyon	DA	529 D6	34-11-40	118-39-23	895	13.32	
742C	San Gabriel Fire Department	SP	596 F4	34-06-11	118-05-56	445	15.08	E
747	Sandberg-Airways Station	SP	X	34-44-47	118-43-29	4517		NA
749B	Burbank Valley Pump Plant	SP	533 C6	34-11-11	118-20-54	655	12.82	E
750B	Palmdale-F.A.A. Airport	S	4196 E5	34-37-20	118-05-00	2528	4.39	
794	Lower Franklin Reservoir	SP	592 F6	34-05-43	118-24-40	585	15.49	E
795	Pasadena-Jourdan	SP	566 F5	34-08-52	118-05-14	705	17.76	E
797	De Soto Reservoir	SP	500 B2	34-16-17	118-35-12	1127	19.85	A
801B	Magic Mountain	S	X	34-23-18	118-19-27	4720	25.74	A
802C	Eagle Rock Reservoir	SP	565 C5	34-08-47	118-11-20	970	15.63	
807	Ascot Reservoir	SP	595 C6	34-04-46	118-11-14	620	14.29	
1005B	Mint Canyon Fire Station	S	X	34-30-35	118-21-40	2300		NA
1006	San Pedro-City Reservoir	SP	824 B4	33-44-37	118-17-47	150	8.64	I
1011B	Palos Verdes Fire Station	S	823 D3	33-45-25	118-21-11	1275	18.57	
1012B	Castaic Junction	SA	4459 H7	34-26-18	118-36-43	1005	10.15	
1017B	Little Rock Creek Above dam	DA	XI	34-28-41	118-01-24	3280		NA
1020B	Padua Hills Patrol Station	S	571 F3	34-08-52	117-41-55	1800	21.16	

LEGEND

8.81	8.81 inch diameter no-recording gage owned by the Public Works
AP	Automatic recording gage owned by outside interest
DA	Daily Automatic
S	Standard 8 inch diameter non-recording gage owned by the Public Works
SA	Automatic recording gage owned by the Public Works
SP	Standard 8 inch diameter non-recording gage owned by outside interest

NOTES:

E	Estimate
A	Accumulated Total
I	Incomplete
TI	Temporary Inactive
NA	Not Available

PRECIPITATION

Active Rain Gage Stations During Water Year 1996 - 1997 *

Station No.	Station Name	Gage Type	Thomas Guide Page	North Latitude	West Longitude	Gage Elev. (ft)	Season Total (in)	Notes
1025	Malibu Beach-Dunne	S	628 G7	34-02-00	118-42-42	160	12.98	
1029C	Tujunga-Mill Creek Summit ranger station	AP S	X	34-23-22	118-04-49	4990	17.11	E
1037	Arcadia-Arboretum	S	567 A5	34-08-48	118-02-59	565	19.39	
1041B	Santa Fe Dam	S	598 A	34-07-04	117-58-24	427	18.31	
1046B	Santa Anita Cyn-Chantry flat	S	537 E	34-11-46	118-01-20	2175	35.47	
1050F	Old Topanga Canyon	S	108 F3	34-06-24	118-37-43	1000	21.54	
1051B	Canoga Park-Pierce College	SP	530 D	34-10-51	118-34-23	800	13.36	
1058B	Palmdale	SP	4196	34-35-17	118-05-31	2595	4.73	
1060B	Little Rock-Sycamore Camp	DA	XI	34-25-02	117-58-13	4000		NA
1062	Buckhorn Flat	DA	XI	34-20-44	117-55-08	6760		NA
1063	Soledad Pass	S	4376	34-29-35	118-05-28	3520	8.27	
1070	Manhattan Beach	S	732 J	33-53-00	118-23-19	182	13.94	
1071B	Descanso Gardens	S	535 B	34-12-07	118-12-46	1325	20.23	
1072B	Little Tujunga Ranger Station	SP	4723	34-17-37	118-21-38	1275		NA
1074	Little Gleason	DA	X	34-22-43	118-08-57	5600	9.49	
1076B	Monte Cristo Ranger Station	SP	XI	34-19-42	118-07-20	3360	18.62	
1077B	Monrovia-Five Points	S	567 G	34-09-58	117-59-37	962	25.50	
1081B	Glendale-Gregg	SP	534 F	34-11-45	118-14-30	1350	20.67	
1087	Green-Verdugo Pumping Plant	S	503 D	34-15-25	118-20-11	1340	13.18	
1088B	La Habra Heights-Mutual Water Co.	SA	708 D	33-56-55	117-57-51	445	17.53	
1095	Orange County Reservoir	SP	OC 2 F	33-56-07	117-52-58	660	16.80	
1107D	La Tuna Debris Basin	DA	503 E	34-14-13	118-19-37	1160	8.76	
1113	Dominguez Water Co.	DA	764 J	33-49-54	118-13-30	30	12.79	E
1114B	Whittier Narrows Dam	AP	636 H	34-01-29	118-05-02	239	17.86	
1115	San Antonio Dam	SP	571 J	34-09-24	117-40-20	2120	24.88	
1126A	Los Angeles-East Valley	8.81	532 E	34-12-30	118-24-35	780	19.08	
1128	Wrightwood Fire Department	SP	S.B.CO	34-21-34	117-37-57	5960	14.80	
1129B	Nicholas Canyon	S	626 A	34-02-52	118-54-57	340	18.91	
1140	Rosemead	8.81	597 C	34-04-53	118-03-55	305	15.27	
1147	El Caballero Country	S	560 J	34-08-52	118-31-53	1000	5.40	I
1152	Clear Creek Ranger Station	S	XI	34-16-15	118-09-11	3625	26.16	
1158	Torrance Municipal Airport	S	793 E	33-47-59	118-20-08	102	14.91	
1166B	Mile High Ranch	S	XI	34-24-40	117-46-15	5280	8.05	A
1169B	Piru-Temescal Guard Station	SP	V.CO.	34-28-22	118-45-21	1150	19.95	

LEGEND

8.81	8.81 inch diameter no-recording gage owned by the Public Works
AP	Automatic recording gage owned by outside interest
DA	Daily Automatic
S	Standard 8 inch diameter non-recording gage owned by the Public Works
SA	Automatic recording gage owned by the Public Works
SP	Standard 8 inch diameter non-recording gage owned by outside interest

NOTES:

E	Estimate
A	Accumulated Total
I	Incomplete
TI	Temporary Inactive
NA	Not Available

PRECIPITATION

Active Rain Gage Stations During Water Year 1996 - 1997 *

Station No.	Station Name	Gage Type	Thomas Guide Page	North Latitude	West Longitude	Gage Elev. (ft)	Season Total (in)	Notes
1170B	Thousand Oaks Weather Station	AP	V.CO.	34-10-44	118-51-01	805	15.04	
1171B	Camulos Ranch	SP	V.CO.	34-24-22	118-45-21	725	15.90	
1172B	Piru Canyon Above Piru Lake	S	V.CO.	34-30-48	118-45-24	1120		TI
1173B	Tapo Canyon	S	V.CO.	34-19-54	118-42-39	1525	16.52	E
1177B	Bard Reservoir	S	V.CO.	34-14-32	118-49-41	1010	12.86	
1191	Bear Divide	S	128 F6	34-21-35	118-23-37	2700	21.55	
1193	Westlake Village	S	557 C	34-08-19	118-49-05	885	15.36	
1194	Santa Ynez Reservoir	S	630 E	34-04-23	118-33-59	735	21.76	E
1195	Chino Fire Station No.2	SP	S.B.CO	33-59-00	117-43-20	655	14.55	
1196	Montclair Fire Department	SP	641 H	34-03-41	117-41-16	965	14.94	
1197	Cajon West Summit	SP	S.B.CO	34-23-30	117-34-35	4838	5.00	E
1198	Phelan Fire Control	SP	S.B.CO	34-25-30	117-34-00	4160	2.62	
1211	Hacienda Golf Club	S	O.CO.	33-57-40	117-56-57	750		NA
1212	Lancaster FSS/FAA	SP	4014	34-44-00	118-13-00	2340	4.11	E
1216	Rancho Palos Verdes	S	822 H	33-45-10	118-23-32	780	13.54	E
1217	Los Angeles Country Club	S	632 D	34-04-10	118-25-17	380	18.82	
1222	Northridge-Garland	8.81	501 C	34-14-17	118-30-59	911	15.56	
1223	Woodland Hills-Sherman	8.81	559 E	34-10-06	118-38-57	1035	13.71	
1239	Malibu-Big Rock Mesa	DA	629 H	34-02-34	118-37-16	725	18.23	
1240	Pearblossom-Calif.D.W.R. Booster Sta.	SP	4378	34-30-32	117-55-15	3050	3.73	
1242	Rocky Buttes	DA	XI	34-39-00	117-51-48	2540	3.34	E
1243	Redman	DA	XI	34-45-52	117-55-30	2360	3.50	E
1245	Quartz Hill Hall	DA	4104	34-40-28	118-14-40	2395		NA
1247	North Lancaster	DA	3926	34-45-41	118-07-30	2310	4.13	E
1248	Mescal-Smith	DA	XI	34-28-03	117-42-40	3810	2.08	I
1249	Relay	DA	XI	34-45-43	117-47-55	3140	3.32	E
1250	Avek	DA	4288	34-32-21	117-55-23	2825	3.13	E
1251	Palos Verdes-Whites Point	SP	853 H	33-42-50	118-19-02	100	7.87	
1252	Palos Verdes Landfill	SP	793 D	33-45-40	118-20-03	400	13.29	E
1253	Carson-County Sanitation	SP	794 C	33-48-07	118-16-58	40	12.86	E
1254	Long Beach Reclamation Plant	SP	796 G	33-48-11	118-05-20	20	14.00	
1255	Los Coyotes Reclamation Plant	SP	736 E	33-53-05	118-06-24	70	14.32	
1256	South Gate Transfer Station	SP	705 G	33-56-40	118-09-56	100	11.23	E
1257	San Jose Creek Reclamation Plant	SP	637 F	34-01-55	118-01-16	275	16.39	E

LEGEND

8.81	8.81 inch diameter no-recording gage owned by the Public Works
AP	Automatic recording gage owned by outside interest
DA	Daily Automatic
S	Standard 8 inch diameter non-recording gage owned by the Public Works
SA	Automatic recording gage owned by the Public Works
SP	Standard 8 inch diameter non-recording gage owned by outside interest

NOTES:

E	Estimate
A	Accumulated Total
I	Incomplete
TI	Temporary Inactive
NA	Not Available

PRECIPITATION

Active Rain Gage Stations During Water Year 1996 - 1997 *

Station No.	Station Name	Gage Type	Thomas Guide Page	North Latitude	West Longitude	Gage Elev. (ft)	Season Total (in)	Notes
1258	Puente Hills Landfill	SP	637 D	34-01-35	118-01-49	300	13.35	E
1259	Whittier Narrows Reclamation Plant	SP	636 J	34-03-59	118-03-54	225	15.81	
1260	Spadra Landfill	SP	640 A	34-02-36	117-49-50	700	14.20	I
1261	La Canada Reclamation Plant	SP	535 D	34-13-00	118-11-14	1800	21.74	E
1262	Saugus Reclamation Plant	SP	4550	34-24-48	118-32-23	1150	9.95	E
1263	Valencia Reclamation Plant	SP	4549	34-25-55	118-37-13	1000	9.34	
1265	Scholl Canyon Landfill	SP	565 C	34-08-38	118-11-07	1000	13.55	I
1266	Mission Canyon Landfill	SP	591 G	34-08-40	118-28-45	1150	13.50	I
1267	Lancaster Reclamation Plant	SP	3925	34-46-38	118-09-11	2302	4.00	E
1268	Palmdale Reclamation Plant	SP	4196	34-35-30	118-05-10	2565	4.66	E
1271	Pomona Waste Reclamation Plant	SP	640 E	34-03-18	117-47-34	786	16.30	E
1274	Whittier - Valna Drive	S	707 F	33-57-39	118-01-10	255	14.40	A
1277	DPW Headquarters, Fremont	DA	595 H6	34-05-12	118-09-01	450	14.46	E

LEGEND

8.81	8.81 inch diameter no-recording gage owned by the Public Works
AP	Automatic recording gage owned by outside interest
DA	Daily Automatic
S	Standard 8 inch diameter non-recording gage owned by the Public Works
SA	Automatic recording gage owned by the Public Works
SP	Standard 8 inch diameter non-recording gage owned by outside interest

NOTES:

E	Estimate
A	Accumulated Total
I	Incomplete
TI	Temporary Inactive
NA	Not Available

P R E C I P I T A T I O N

DAILY RAINFALL SUMMARY

[See Appendix A](#)

EVAPORATION

EVAPORATION

Monthly and seasonal data for 13 active evaporation stations were reported to the Department during the reporting period. Daily records of active and inactive Department stations, as well as some stations of other agencies, are available in the Department's files. This data can be obtained by contacting the [custodian](#) of hydrologic records.

COOPERATION:

The Department receives evaporation data from The Metropolitan Water District, Palmdale Water District, California Department of Water Resources, and Descanso Gardens.

CUSTODIAN:

Unpublished information may be obtained by contacting:
Los Angeles County Department of Public Works
Water Resources Division
P.O. Box 1460
Alhambra, CA 91802-1460
...or telephone: (626) 458-6120

LENGTH OF RECORD:

The Los Angeles County Flood Control District (now administered by the Department) installed its first land pan in March 1929 at Santa Anita Dam. The Department has 30 evaporation stations which have records of 15 seasons or more in the Department's files.

EVAPORATION

ACTIVE STATIONS

NO.	STATION NAME	EQUIPMENT	ELEV OF PAN	THOMAS GUIDE	NORTH LAT	WEST LONG
33 A	Pacoima Dam	24X36 S	1500 ft.	482 F1	34-19-48	118-23-59
46 D	Big Tujunga Dam	24X36 S	2315 ft.	xi	34-17-40	118-11-14
63 C	Santa Anita Dam	24X36 S	1400 ft.	710 B2	34-11-03	118-01-12
89 B	San Dimas Dam	24X36 S	1350 ft.	470 F2	34-09-10	117-46-17
96 C	Puddingstone Dam	24X36 S	1030 ft.	600 A4	34-05-31	117-48-24
223 B	Big Dalton Dam	24X36 S	1587 ft.	570 B4	34-10-06	117-48-36
252 C	Castaic Reservoir	48X10 S	1150 ft.	4369 H6	34-29-53	118-36-53
334 B	Cogswell Dam	24X36 S	2300 ft.	ix	34-14-37	117-57-35
390 B	Morris Dam	72X36 US	1210 ft.	ix	34-10-53	117-52-43
409 B	Pyramid Reservoir	48X10 S	2505 ft.	593 E1	34-40-34	118-46-47
425 B	San Gabriel Dam	24X36 S	1481 ft.	ix	34-12-19	117-51-38
1058 B	Palmdale	24X36 S	2595 ft.	4196 E6	34-35-17	118-05-31
1071 B	Descanso Gardens	24X36 S	1325 ft.	535 B4	34-12-07	118-12-46

FOOTNOTES

24X36 S Screened land pan, 24 inches in diameter by 36 inches deep.

48X10 S Screened land pan, 48 inches in diameter by 10 inches deep.

72X36 US Unscreened land pan, 72 inches in diameter by 36 inches deep.

EVAPORATION

MONTHLY SUMMARY

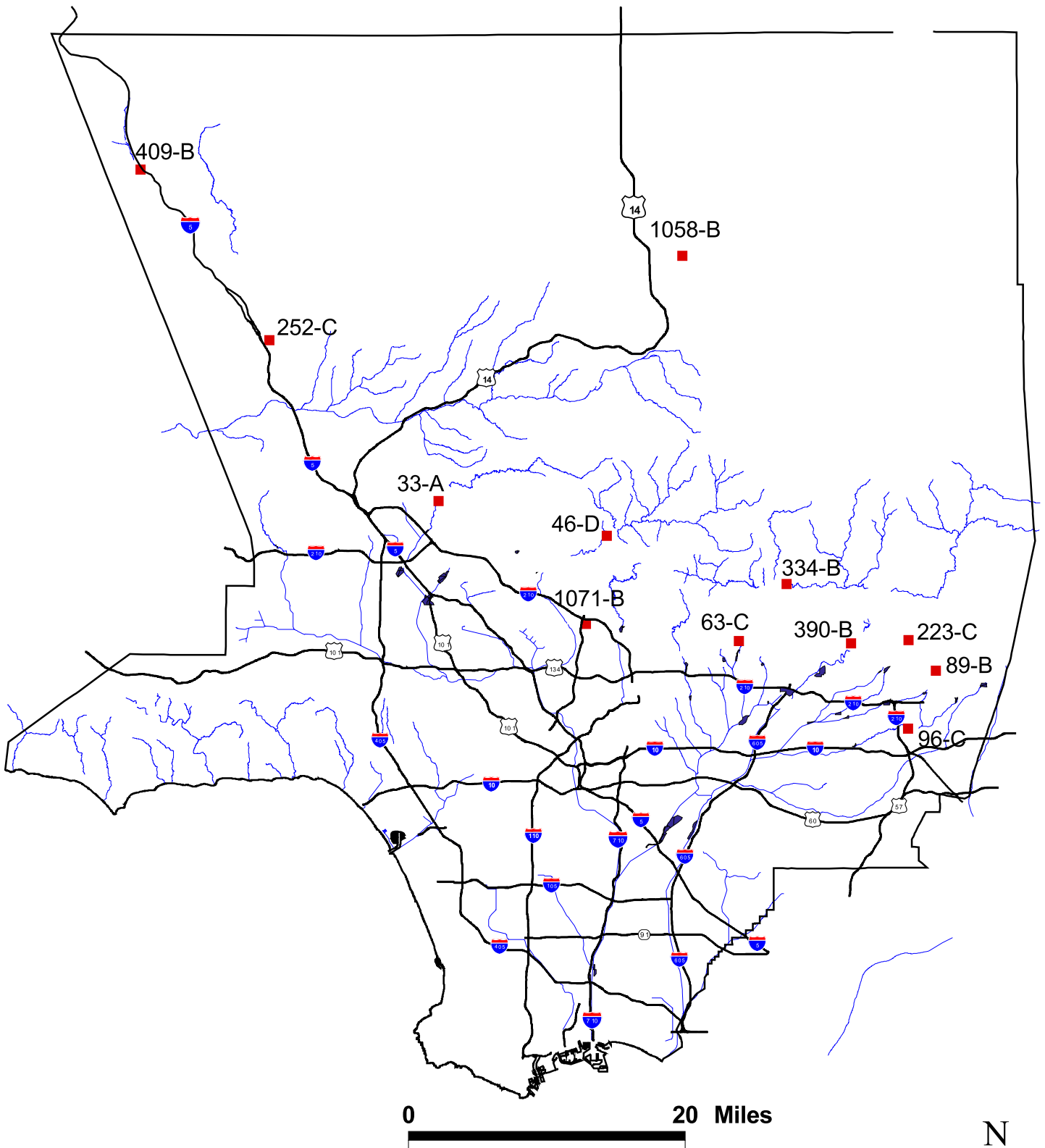
ID	Station Name	Oct	Nov	Dec	Jan	Feb	Mar	Apr	May	Jun	Jul	Aug	Sep	Total
33-A	Pacoima Dam	9.05	7.68	5.88	3.73	6.00	[7.73]	8.29	9.22	6.51	8.96	11.26	10.36	[94.64]
46-D	Big Tujunga Dam	9.08	5.22	3.32	3.73	3.99	[6.42]	7.93	10.58	9.89	13.01	12.03	10.21	[95.39]
63-C	Santa Anita Dam	5.22	[3.20]	3.08	1.67	2.80	4.44	4.26	4.77	3.90	5.77	6.61	6.28	[51.99]
89-B	San Dimas Dam	3.85	1.97	1.50	1.45	1.85	3.51	4.66	6.47	5.69	7.70	8.39	6.50	53.50
96-C	Puddingstone Dam	5.86	3.34	2.02	1.85	2.88	5.30	6.33	8.09	6.79	8.18	8.51	7.16	66.28
223-C	Big Dalton Dam	4.47	2.33	2.23	1.49	2.09	3.11	4.24	6.05	5.52	7.24	8.43	5.95	53.11
252-C*	Castaic Dam	8.85	5.05	3.80	3.63	4.96	7.49	9.72	12.80	9.57	11.24	11.62	9.37	98.10
334-B	Cogswell Dam	4.95	2.35	1.28	1.33	2.05	3.17	4.74	6.39	6.98	8.22	8.43	6.01	55.82
390-B	Morris Dam	7.58	5.38	2.95	2.79	4.19	6.78	7.52	9.56	8.24	10.29	11.75	9.82	86.85
409-B*	Pyramid Reservoir	7.51	4.17	5.36	4.37	4.02	7.21	8.07	13.73	12.30	13.09	12.23	9.82	101.90
1058-B	Palmdale	7.51	3.06	2.37	2.28	3.20	5.93	7.79	10.30	12.38	12.63	13.15	8.00	88.57
1071-B	Descanso Gardens	4.61	2.07	1.49	1.37	2.17	3.82	5.27	6.04	5.66	7.22	7.35	6.13	53.17

Units are in inches.

[] Missing Data.

*Department of Water Resources

Evaporation Locations



LEGEND

■ Evaporation Station



R U N O F F

RUNOFF

The Department operates 65 streamflow measurement stations (62 water-stage recording stations and 3 witness gages). Daily mean flow data and maximum instantaneous flow for each station were collected for these [stations](#) during the reporting period. Additional data can be obtained by contacting the [custodian](#) of hydrologic records.

ALERT SYSTEM:

Automated Local Evaluation in Real Time

The Department operates and maintains the ALERT computer system to monitor meteorological conditions at 23 river stage locations in the County.

The Department's ALERT System also receives rainfall, streamflow, and reservoir data from the Corps of Engineers' Los Angeles Telemetry System.

CUSTODIAN:

Unpublished information may be obtained by contacting:

Los Angeles County Department of Public Works
Water Resources Division
P.O. Box 1460
Alhambra, CA 91802-1460
...or telephone: (626) 458-6120

COOPERATION:

The Department receives or has access to streamflow data from other agencies. Data from 5 of the Department's stations are published in the United States Geological Survey's annual water supply papers.

Agencies with which the Department exchanges data are:

- United States Geological Survey, Water Resource Division
- United States Army Corps of Engineers
- State Department of Water Resources
- The Metropolitan Water District of Southern California
- San Gabriel River Water Committee

R U N O F F

Index of Stream Flow Measuring Stations

Station No.	Station Name	Thomas Guide Page	Regulated	Drainage Area	Length Of Record
F81D-R	ALHAMBRA WASH above Klingerman Street	636 G3	No	15.20	9/2/36
F317-R	ARCADIA WASH below Grand Avenue	597 C4	Yes	8.50	12/12/55
F250-R	AZUSA CONDUIT (sandbox 20' weir)	509/539	Yes	202.70	2/14/35
F38C-R	BALLONA CREEK above Sawtelle Blvd.	672 G4	Yes	88.60	8/10/67
F377-R	BOUQUET CANYON CREEK at Urbandale Avenue	4461 C5	Yes	51.90	10/11/67
F329-R	BRADBURY CHANNEL below Central Avenue	568 C5	Yes	3.30	6/14/57
F342-R	BRANFORD STREET CHANNEL below Sharp Avenue	502 E7	Yes	5.01	1/12/62
E285-R	BURBANK WESTERN STORM DRAIN at Riverside Drive	563 H3	Yes	25.00	10/1/49
F37B-R	COMPTON CREEK near Greenleaf Drive	734 J6	No	22.60	10/3/38
F354-R	COYOTE CREEK below Spring Street	796 H2	Yes	185.00	12/17/63
F274B-R	DALTON WASH at Merced Avenue	638 D1	Yes	35.95	11/2/58
F318-R	EATON WASH at Loftus Drive	597 A7	Yes	22.80	2/23/56
U7-R	FISH CREEK above mouth of canyon	568 G1	No	6.36	7/1/17
L1-R	LITTLE ROCK CREEK above Little Rock Dam	4467 D2	No	49.20	10/1/30
F57C-R	LOS ANGELES RIVER above Arroyo Seco	594 H6	Yes	511.00	12/8/39
F300-R	LOS ANGELES RIVER at Tujunga Avenue	562 J6	Yes	401.00	5/8/50
F319-R	LOS ANGELES RIVER below Wardlow River Road	765 C1	Yes	815.00	1/13/56
F34D-R	LOS ANGELES RIVER below Firestone Blvd.	705 F4	Yes	596.00	11/12/56
F130-R	MALIBU CREEK below Cold Creek	628 H1	Yes	104.96	1/17/31
F328-R	MINT CANYON CREEK at Fitch Avenue	4462 C6	No	26.90	10/26/56
F181-R	MONTEBELLO STORM DRAIN above Rio Hondo	676 E4	No	9.60	1/12/32
F118B-R	PACOIMA CREEK FLUME below Pacoima Dam	4642 F7	Yes	28.20	2/9/35
F122-R	PALLETT CREEK at Valyermo Highway	4469 D2	No	15.80	10/31/61
F192B-R	RIO HONDO below Lower Azusa Avenue	597 D5	Yes	40.90	12/18/58
F45B-R	RIO HONDO above Stuart and Gray Road	705 G4	Yes	140.00	11/20/51
F338-R	RUBIO DIVERSION CHANNEL below Gooseberry Inlet	536 C5	Yes	2.10	12/16/59
F82C-R	RUBIO WASH at Glendon Way	596 H7	Yes	10.90	11/6/36
F42B-R	SAN GABRIEL RIVER above Spring Street	796 G1	Yes	231.00	11/16/64
U8-R	SAN GABRIEL RIVER below Morris Dam	569 B2	Yes	212.40	5/18/94
F261C-R	SAN GABRIEL RIVER below Valley Blvd.	637 F3	Yes	118.00	11/29/60
G44B-R	SAN GABRIEL RIVER above Whittier Narrow Dam	637 C6	No		1/6/48
F263C-R	SAN GABRIEL RIVER below San Gabriel River Parkway	676 J2	Yes	206.30	8/9/68
F262C-R	SAN GABRIEL RIVER above Florence Avenue	706 E5	Yes	215.80	8/6/68
F190-R	SAN GABRIEL RIVER at Foothill Blvd.	568 E5	Yes	230.00	4/25/32
F312B-R	SAN JOSE CHANNEL below Sevent Avenue	637 G6	Yes	83.40	4/23/92
F119-R	SANTA ANITA CREEK below Santa Anita Dam	537 E6	Yes	10.80	1/13/64
F193B-R	SANTA ANITA WASH at Longden Avenue	597 F2	Yes	18.80	1/5/60
F92-R	SANTA CLARA RIVER at Old Road Bridge	4450 C2	Yes	410.40	9/1/81
F280-R	SANTA FE DIVERSION CHANNEL below Santa Fe Dam	598 B2	Yes	Controlled	10/1/42
F125-R	SANTIAGO CREEK above Little Rock Creek	4467 D2	No	11.20	9/29/53
F194B-R	SAWPIT WASH below Live Oak Avenue	597 G2	Yes	16.10	12/5/60
F32B-R	THOMPSON CREEK below Thompson Creek Dam	571 E4	Yes	3.70	10/1/44
F54C-R	TOPANGA CREEK above mouth of canyon	630 C3	Yes	18.00	1/1/30
F252-R	VERDUGO WASH at Estelle Avenue	564 C3	Yes	26.80	12/2/35
F304-R	WALNUT CREEK above Puente Avenue	638 B1	Yes	57.60	10/14/52
F40-R	WALNUT CREEK below Puddingstone Dam	600 B4	Yes	33.20	12/28/27

R U N O F F

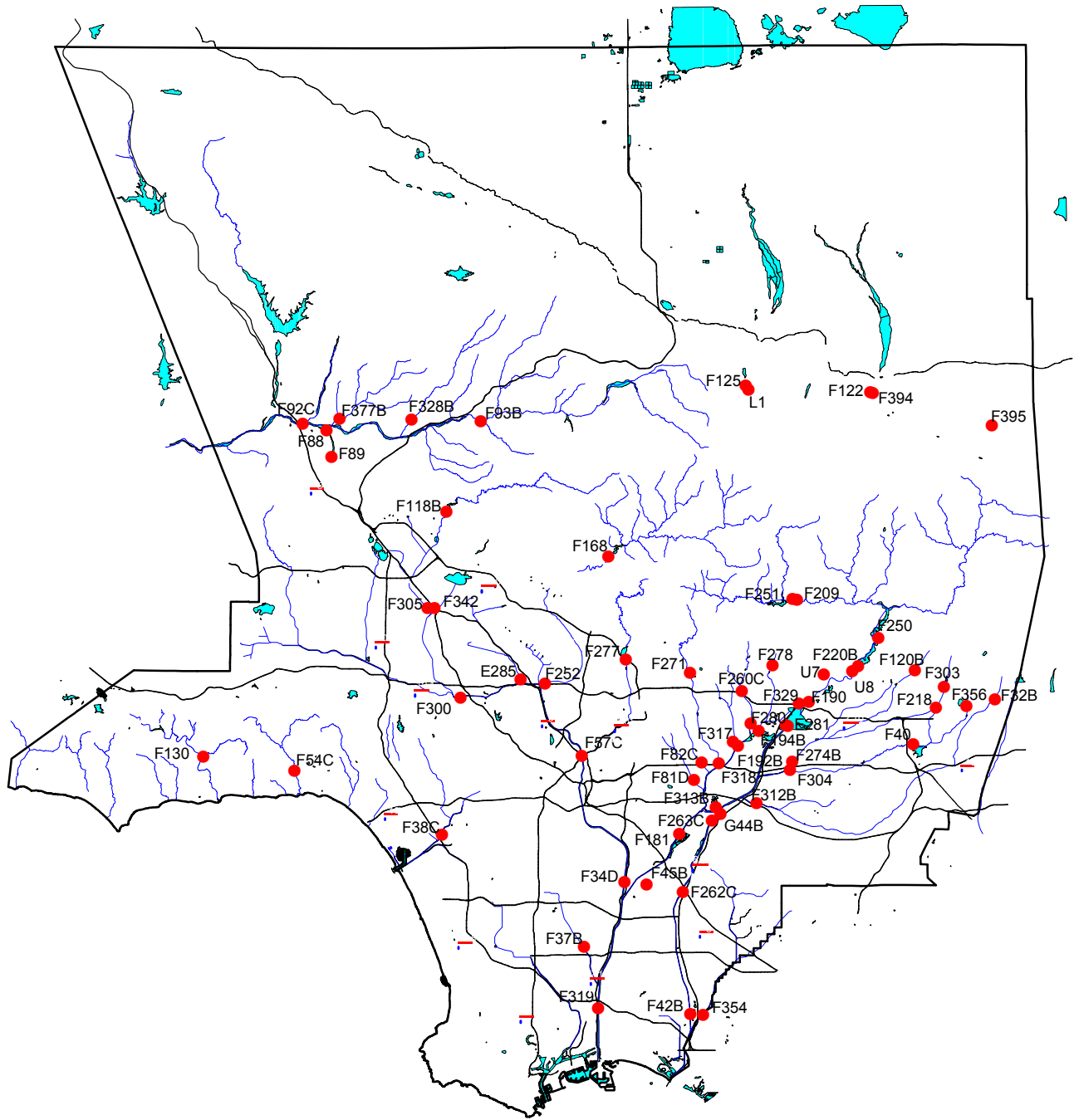
STREAM GAGING STATION INFORMATION

[See Appendix B](#)

DAILY DISCHARGE

[See Appendix C](#)

STREAM GAGE STATION LOCATIONS



LEGEND

● Stream Gage Station



R E S E R V O I R S**RESERVOIRS:**

Following the damaging flood of 1914 and creation of the Los Angeles County Flood Control District in 1915, a program of flood control and water conservation was initiated by the District. Part of this program included the construction of 15 dams which were completed between 1920 and 1939. These dams continued to be operated and maintained by the Department to control flood waters during storm periods. The Department makes post storm releases, when feasible, in amounts that can be conserved in downstream spreading grounds and by channel percolation. In addition, five Corps of Engineers' dams, Lopez, Hansen, Santa Fe, Sepulveda, and Whittier Narrows Dams, are operated by the Corps in conjunction with the Department dams to achieve flood control and/or water conservation.

RECORDS:

The Department's 15 dams and reservoirs' locations are shown on the map. Data on the yearly reservoir operation summaries for each reservoir are provided by selecting from the index on the left. Data for these facilities can be obtained by contacting the custodian of hydrologic records.

Los Angeles County Department of Public Works
Water Resources Division
P.O. Box 1460
Alhambra, CA 91802-1460
...or telephone: (626) 458-6120

R E S E R V O I R S

YEARLY RESERVOIR OPERATION SUMMARY

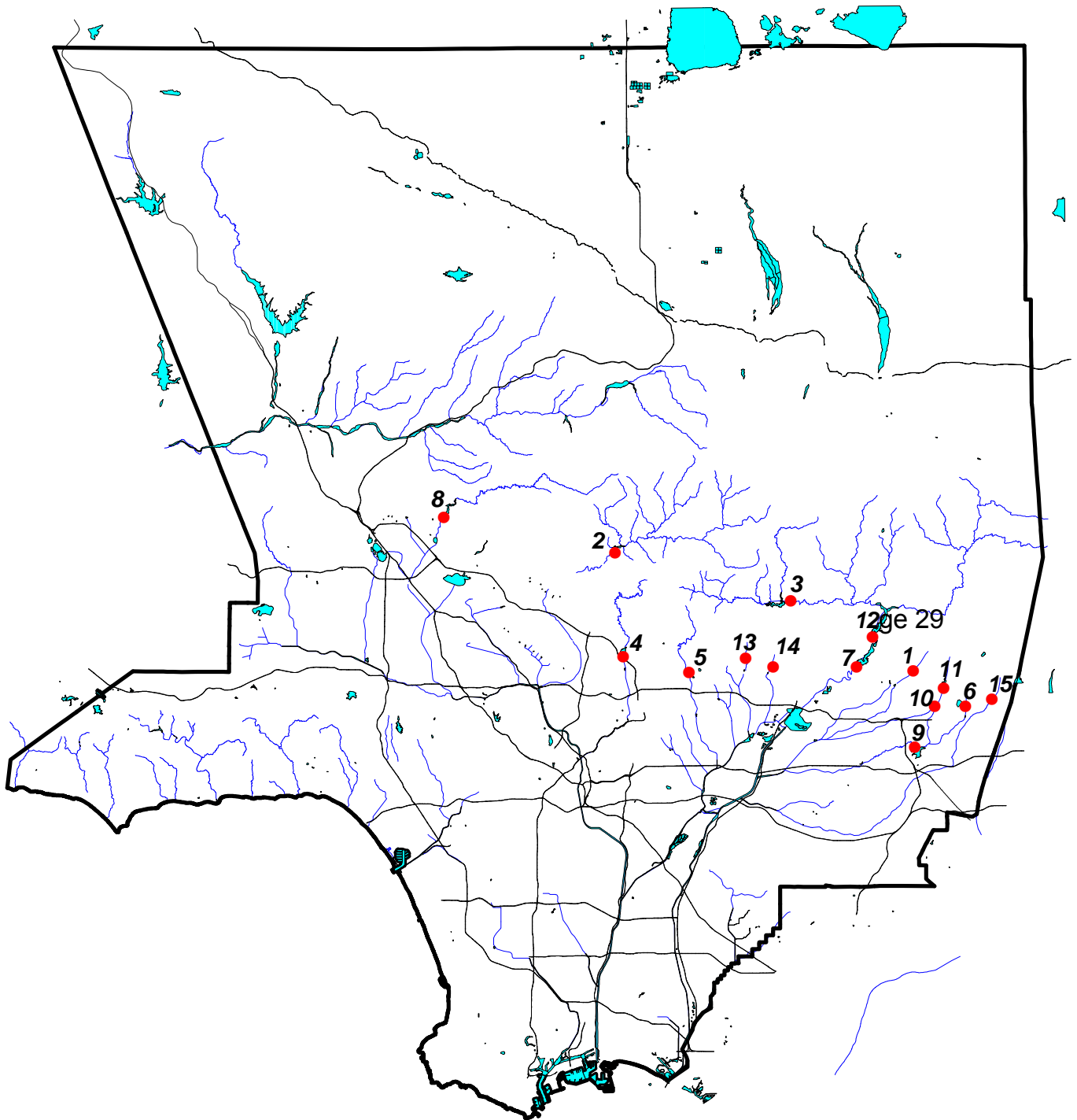
[See Appendix D](#)

R E S E R V O I R S

FACILITIES

DPW Dams and Reservoirs	Current Uses	Con-struction Completed	Drainage Area (sq.mi)	Original Capacity (acre-ft)	Spillway Elv (ft)	Location
Big Dalton Dam	Flood control and water conservation	August 1929	4.5	1053	1706	4 miles northeast of Glendora
Big Tujunga Dam	Flood control and water conservation	July 1931	82.3	6240	2290	10 miles northeast of Sunland
Cogswell Dam	Flood control and water conservation	April 1934	39.2	12298	2385	22 miles north of Azusa
Devil's Gate Dam	Flood control and water conservation	June 1920	31.9	4601	1040.5	Arroyo Seco, northwest of Pasadena
Eaton Wash Dam	Flood control and debris storage	February 1937	12.4	956	887.5	Eaton Wash, northeast of Pasadena
Live Oak Dam	Flood control and water conservation	November 1922	2.3	250	1496	2.5 miles northeast of La Verne
Morris Dam	Water conservation	1935	211.4	39300	1152	5 miles north of Azusa
Pacoima Dam	Flood control and water conservation	February 1929	28.2	6060	1950	4 miles northeast of San Fernando
Puddingstone Dam	Flood control and water conservation	January 1928	33.1	17938	970	1 mile south of San Dimas
Puddingstone Diversion	Flood control and diversion of flow	July 1928	19.9	148	1152.5	2 miles northeast of San Dimas
San Dimas Dam	Flood control and diversion of flow	September 1922	16.2	1496	1462	3 miles northeast of San Dimas
San Gabriel Dam	Flood control and water conservation	July 1939	202.7	53344	1453	7.5 miles north of Azusa
Santa Anita Dam	Flood control and water conservation	March 1927	10.8	1376	1316	2.5 miles north of Arcadia
Sawpit Dam	Flood control and water conservation	June 1927	3.2	476	1360	2 miles north of Monrovia
Thompson Creek Dam	Flood control and water conservation	March 1928	3.5	812	1634	3 miles north of Claremont
FC FLOOD CONTROL WC WATER CONSERVATION DC DEBRIS CONTROL R RECREATION						

Reservoir Locations



- 1. Big Dalton Dam
- 2. Big Tujunga Dam
- 3. Cogswell Dam
- 4. Devil's Gate Dam
- 5. Eaton Wash Dam

- 6. Live Oak Dam
- 7. Morris Dam
- 8. Pacoima Dam
- 9. Puddingstone Dam
- 10. Puddingstone Diversion Dam

- 11. San Dimas Dam
- 12. San Gabriel Dam
- 13. Santa Anita Dam
- 14. Sawpit Dam
- 15. Thompson Creek Dam

E R O S I O N C O N T R O L

EROSION CONTROL

Each year eroded material in various forms (debris consisting of rock, sand, trees, etc.) flows out of the mountain watersheds of Los Angeles County. In an effort to control this potentially disruptive force, the Department maintains a series of debris basins in canyon mouths and upstream stabilization structures in selected watersheds.

DEBRIS BASINS:

The purpose of a debris basin is to entrap the sediment flows emanating from the canyon and let the relatively desilted water pass into the downstream flood control channels.

The Department maintained 115 debris basins during the reporting period. The combined total maximum capacity of the basins is approximately 7,780,900 cubic yards. [Design data](#) on these facilities are in a table and their locations are shown on [Location Map](#) (in Appendix E).

Data for sediment inflow at individual debris basins and Unpublished information may be obtained by contacting:

Los Angeles County Department of Public Works
Water Resources Division
P.O. Box 1460
Alhambra, CA 91802-1460
...or telephone: (626) 458-6120

STABILIZATION STRUCTURES:

The Department has constructed stabilization structures to control erosion in natural canyons. These structures serve to prevent down cutting by stabilizing alluvium deposits. In addition, they store debris generated by the watershed and serve to stabilize side banks, reducing side slope sloughing and bank erosion.

The Department maintained 217 stabilization structures in 47 major watersheds during the reporting period. The Department has not constructed any stabilization structures since the 1973-74 water year.

EMERGENCY STRUCTURES:

The Department has constructed emergency structures (rail and timber) to entrap the debris from burned watersheds. The structures serve to protect improvements (road, channel, residence, etc.) located downstream of the watersheds.

During the reporting period, 32 emergency structures existed with a total maximum capacity of 253,000 cubic yards. Maps of areas burned during the reporting period can be obtained by contacting the *custodian* of hydrologic records.

E R O S I O N C O N T R O L

LOCATION MAP

[See Appendix E](#)

E R O S I O N C O N T R O L

DEBRIS BASIN - DESIGN DATA:

Including 1996-1997 Storm Season
(Sedimentation Management Unit)

Debris Basin	First Debris Season	Un-controlled Drainage Area Above Basin (Sq. Mi.)	Bottom Elev. at Max Cap. (ft)	Elevation Port Invert (ft)	Elevation Spillway Crest (ft)	Width Spillway	Elevation Crest of Dam	Maximum Debris Capacity (Cu. Yds)
Aliso	1970-71	2.77	1108	1,108.4	1120	70.0	1,134.0	42000 (8)
Arbor Dell	1971-72	0.11	899	898.4	913	22.9	919.6	12000
Auburn	1954-55	0.19	1264 (15)	1,260.5 (15)	1278 (15)	30.0 (15)	1,286.0 (15)	38000 (15)
Bailey	1945-46	0.60	1123	1,123.1	1155	30.0	1,166.0	129000
Beatty	1970-71	0.27	800	800.0	807	32.0	815.5	43000
Big Dalton	1959-60	2.94	1102	1,101.9 (3)	1132	116.0	1,148.7	518000
Bigbriar	1971-72	0.02	1898	1,896.0	1910	14.0	1,910.8	2600
Blanchard	1968-69	0.47	2026	2,026.0	2054	40.0	2,065.0	75000
Blue Gum	1968-69	0.19	2020	2,020.0	2042	25.0	2,053.0	40000
Brace	1971-72	0.29	1190	1,189.7	1196	20.0	1,205.0	30000
Bracemar	1971-72	0.01	1140	1,140.0	1146	8.0	1,148.0	700 (14)
Bradbury	1954-55	0.68	912	913.1	920	58.0	928.0	90000
Brand	1935-36	1.04	860	860.0	890	60.0	903.0	166000
Buena Vista	1985-86	0.10	979	978.7	992	39.0	997.7	22000
Carriage House	1970-71	0.03	1350	1,350.0	1363	15.0	1,366.8	6100
Carter	1954-55	0.12	1222	1,223.2	1238	30.0	1,245.0	15000
Cassara	1976-77	0.21	1272	1,271.5	1292	66.0	1,295.4	37000
Chamberlain	1974-75	0.04	1085	1,084.0	1098	20.0	1,101.3	4700
Chandler	1995-96	0.16	1055	1,052.0	1073	36.0	1,078.3	20000 (15)
Childs	1963-64	0.30	1022	1,022.0	1059	23.0	1,071.0	50000
Cloud Creek	1972-73	0.01	2350	2,350.5	2360	(5)	2,362.0	5100
Cloudcroft	1973-74	0.21	314	315.0	330	36.0	329.5	35000
Cooks	1951-52	0.58	2058	2,058.0	2083	48.0	2,092.0	52000
Cooks M-1A	1975-76	(13)	2120	(10)	2142	(10)	(10)	34000
Crestview	1983-84	0.03	864	864.0	886	20.0	891.7	5900 (14)
Crocker	1983-84	0.67	1064	1,064.2	1070	36.0	1,077.0	19000 (14)

FOOTNOTES

- (1) Lowest clear water outlet, not spillway.
- (2) Elevation of spillway notch.
- (3) Flow line of sluiceway.
- (4) Elevation of spillway into outlet channel. Elevation of overflow spillway 1,036.9 feet.
- (5) One 30-inch reinforced concrete pipe.
- (6) Four 36-inch corrugated metal pipes.
- (7) One 36-inch reinforced concrete pipe. (Elevated inlet)
- (8) Debris capacity available within right of way limits.
- (9) Pit-type basin.
- (10) Information unavailable.
- (11) Special cleanout required due to limited storage.
- (12) Cleanout required when debris reaches or exceeds elevation 1128.9 feet against face of dam.
- (13) Values are combined with Cooks debris basin.
- (14) Spillway level storage capacity.
- (15) Data taken from design drawings.
- (16) 7 feet in diameter circular outlet type.
- (17) The maximum capacities have been rounded off with regard to appropriate precision consistent with the assumptions used in the development of Hydrology and Sedimentation Manual.
- (18) New maximum capacity based on "As-Built" topographic map number 78B-T56.

E R O S I O N C O N T R O L

DEBRIS BASIN - DESIGN DATA:

Including 1996-1997 Storm Season
(Sedimentation Management Unit)

Debris Basin	First Debris Season	Un-controlled Drainage Area Above Basin (Sq. Mi.)	Bottom Elev. at Max Cap. (ft)	Elevation Port Invert (ft)	Elevation Spillway Crest (ft)	Width Spillway	Elevation Crest of Dam	Maximum Debris Capacity (Cu. Yds)
Deer	1954-55	0.59	1185	1,185.0	1201	56.0	1,209.6	57000
Denivelle	1976-77	0.18	1471	1,471.0	1479	46.0	1,483.3	7900
Devonwood	1981-82	0.05	1899	1,899.0	1922	(16)	1,927.5	11000
Dry Canyon-So. Fork	1978-79	0.49	1063	1,062.5	1075	32.0	1,079.3	7900
Dunsmuir	1935-36	0.84	2228	2,227.7	2257	60.0	2,272.2	103000
Eagle	1936-37	0.48	1850	1,845.5	1880	60.0	1,895.2	63000
Elmwood	1964-65	0.31	912	911.5	938	22.0	952.0	61000
Emerald-E.	1964-65	0.32	1185	1,181.1	1192	30.0	1,204.0	14000
Englewild	1961-62	0.44	1275	1,275.0	1297	50.0	1,300.0	41000
Fair Oaks	1935-36	0.21	1544	1,544.0	1562	(6)	1,566.5	24000
Fern	1935-36	0.31	1440	1,440.0	1476	25.0	1,482.0	43000
Fieldbrook	1974-75	0.35	713	713.0	718	28.0	722.3	2800
Golf Club Drive	1970-71	0.99	881	880.7	902	36.7	915.0	15000
Gordon	1973-74	0.18	1076	1,075.0	1096	22.0	1,104.5	33000
Gould	1947-48	0.36	1530	1,528.2	1548	55.0	1,558.3	53000
Gould (Upper)	1976-77	0.18	1864	1,863.9	1898	32.0	1,901.0	52000
Halls	1935-36	0.83	1642	1,641.8	1661	131.0	1,664.0	89000
Harrow	1958-59	0.43	1255	1,255.0	1269	40.0	1,277.8	68000
Haven Way	1991-92	0.13	1323	1,323.0	1329	20.0	1,335.6	38000
Hay	1936-37	0.20	1890	1,890.2	1908	36.0	1,915.0	37000
Hillcrest	1962-63	0.35	864	863.5	885	18.0	901.0	58000
Hog	1969-70	0.32	1520	1,520.0	1535	32.0	1,547.0	43000
Hook East	1968-69	0.18	1198	1,198.0	1211	37.0	1,215.0	22000
Hook West	1970-71	0.17	1145	1,145.0	1159	40.0	1,167.0	22000
Inverness	1982-83	0.03	1253	1,252.9	1257	20.0	1,261.0	3300

FOOTNOTES

- (1) Lowest clear water outlet, not spillway.
- (2) Elevation of spillway notch.
- (3) Flow line of sluiceway.
- (4) Elevation of spillway into outlet channel. Elevation of overflow spillway 1,036.9 feet.
- (5) One 30-inch reinforced concrete pipe.
- (6) Four 36-inch corrugated metal pipes.
- (7) One 36-inch reinforced concrete pipe. (Elevated inlet)
- (8) Debris capacity available within right of way limits.
- (9) Pit-type basin.
- (10) Information unavailable.
- (11) Special cleanout required due to limited storage.
- (12) Cleanout required when debris reaches or exceeds elevation 1128.9 feet against face of dam.
- (13) Values are combined with Cooks debris basin.
- (14) Spillway level storage capacity.
- (15) Data taken from design drawings.
- (16) 7 feet in diameter circular outlet type.
- (17) The maximum capacities have been rounded off with regard to appropriate precision consistent with the assumptions used in the development of Hydrology and Sedimentation Manual.
- (18) New maximum capacity based on "As-Built" topographic map number 78B-T56.

E R O S I O N C O N T R O L

DEBRIS BASIN - DESIGN DATA:

Including 1996-1997 Storm Season
(Sedimentation Management Unit)

Debris Basin	First Debris Season	Un-controlled Drainage Area Above Basin (Sq. Mi.)	Bottom Elev. at Max Cap. (ft)	Elevation Port Invert (ft)	Elevation Spillway Crest (ft)	Width Spillway	Elevation Crest of Dam	Maximum Debris Capacity (Cu. Yds)
Irving Drive	1974-75	0.03	906	905.0	915	12.0	920.0	1200
Kinneloa	1964-65	0.20	1370	1,370.0	1403	76.0	1,407.9	36000
Kinneloa - West	1966-67	0.19	1385	1,385.0	1413	22.0	1,421.0	35000
La Tuna	1955-56	5.34	1109	1,110.0	1140	75.0	1,157.0	495000
Lannan	1954-55	0.25	1016	1,015.0	1036	14.0	1,043.0	41000
Las Flores	1935-36	0.45	1685	(9)	1716	50.0	1,726.4	56000
Las Lomas	1983-84	0.07	887	887.0	906	77.0	908.5	17000
Limekiln	1963-64	3.72	992	992.0	1003	77.0	1,019.0	172000
Lincoln	1935-36	0.50	1276	1,276.0	1304	56.0	1,322.5	38000
Linda Vista	1970-71	0.37	980	979.5	990	40.0	995.7	3200
Little Dalton	1959-60	3.31	1140	1,139.5	1186	84.0	1,200.2	661000
Maddock	1954-55	0.26	889	891.8	901	36.0	904.0	45000
Marston/Paragon	1988-89	0.20	1456	1,455.6	1460	20.0	1466.0	6100
May No. 1	1953-54	0.70	1666	1,666.0	1684	60.0	1,692.5	64000
May No. 2	1953-54	0.09	1663	1,663.5 (2)	1670	20.0	1,674.0	13000
Monument	1981-82	0.11	944	942.3	950	12.0	954.0	6800
Morgan	1964-65	0.60	1138	1,137.9	1162	45.0	1,171.5	79000
Mountbatten	1983-84	0.01	1136	1,135.5	1141	20.0	1,141.0	1400
Mull	1973-74	0.15	1147	1,147.0	1154	20.0	1,165.0	13000
Mullally (11)	1974-75	0.34	2420	2,420.0	2435	42.0	2,439.6	9400
Nichols	1937-38	0.94	480	481.0	485	50.0	495.0	14000
Oak	1975-76	0.05	2145	2,145.7	2152	50.0	2,156.2	12000 (15)
Oakglade	1974-75	0.06	1275	1,280.0	1290	20.0	1,296.0	7300
Oakmont View Drive	1984-85	0.02	1316	1,315.5	1328	20.0	1,328.5	3400

FOOTNOTES

- (1) Lowest clear water outlet, not spillway.
- (2) Elevation of spillway notch.
- (3) Flow line of sluiceway.
- (4) Elevation of spillway into outlet channel. Elevation of overflow spillway 1,036.9 feet.
- (5) One 30-inch reinforced concrete pipe.
- (6) Four 36-inch corrugated metal pipes.
- (7) One 36-inch reinforced concrete pipe. (Elevated inlet)
- (8) Debris capacity available within right of way limits.
- (9) Pit-type basin.
- (10) Information unavailable.
- (11) Special cleanout required due to limited storage.
- (12) Cleanout required when debris reaches or exceeds elevation 1128.9 feet against face of dam.
- (13) Values are combined with Cooks debris basin.
- (14) Spillway level storage capacity.
- (15) Data taken from design drawings.
- (16) 7 feet in diameter circular outlet type.
- (17) The maximum capacities have been rounded off with regard to appropriate precision consistent with the assumptions used in the development of Hydrology and Sedimentation Manual.
- (18) New maximum capacity based on "As-Built" topographic map number 78B-T56.

E R O S I O N C O N T R O L

DEBRIS BASIN - DESIGN DATA:

Including 1996-1997 Storm Season
(Sedimentation Management Unit)

Debris Basin	First Debris Season	Un-controlled Drainage Area Above Basin (Sq. Mi.)	Bottom Elev. at Max Cap. (ft)	Elevation Port Invert (ft)	Elevation Spillway Crest (ft)	Width Spillway	Elevation Crest of Dam	Maximum Debris Capacity (Cu. Yds)
Oliver	1989-90	0.18	1258	1,258.0	1278	41.0	1,283.3	32000
Pickens	1935-36	1.50	1564	1,564.0	1600	123.0	1,613.0	125000
Pinelawn	1973-74	0.02	2431	2,430.5	2443	(7)	2,448.5	3200
Rowley	1953-54	0.21	1704	1,703.6	1714	60.0	1,722.0	43000
Rowley (Upper)	1976-77	0.31	1926	1,926.0	1946	42.0	1,951.3	29000
Rubio	1943-44	1.26	1582	1,582.0	1611	66.8	1,625.5	148000 (15)
Ruby (Lower)	1955-56	0.28	811	809.6	828	45.0	833.0	29000
Rye	1981-82	1.11	1074	1,073.8	1078	58.2	1,081.5	19000
Saddleback	1988-89	0.04	1781	1,779.3	1791	23.5	1,796.8	15000
Santa Anita	1959-60	1.70	748	748.5 (3)	775	160.0	796.0	395000
Sawpit	1954-55	2.82	930	930.3	982	110.0	1,000.0	636000
Scholl	1945-46	0.66	950	950.0 (2)	956	76.0	966.0	9300
Schoolhouse	1962-63	0.28	1460	1,460.0	1478	20.0	1,491.0	68000
Schwartz	1976-77	0.25	1295	1,294.7	1313	35.0	1,319.0	45000
Shields	1937-38	0.06	2050	2,050.0	2058	30.0	2,070.2	35000
Sierra Madre Dam (12)	1927-28	2.39	1120	1,119.5	1172	62.5	1,175.0	136000
Sierra Madre Villa	1957-58	1.46	1069	1,069.2	1089	48.0	1,102.5	402000
Snover	1936-37	0.21	1863	1,862.7	1879	40.0	1,893.7	25000
Sombrero	1969-70	1.06	1540	1,540.0	1565	45.0	1,580.0	88000
Spinks	1958-59	0.44	750	750.0	762	40.0	765.9	56000
Starfall	1973-74	0.13	2428	2,428.0	2442	30.0	2,446.5	15000
Stetson	1969-70	0.29	1556	1,555.0	1570	32.0	1,579.0	41000
Stough	1940-41	1.65	1006	1,005.8	1032 (4)	100.0	1,043.5	181000

FOOTNOTES

- (1) Lowest clear water outlet, not spillway.
- (2) Elevation of spillway notch.
- (3) Flow line of sluiceway.
- (4) Elevation of spillway into outlet channel. Elevation of overflow spillway 1,036.9 feet.
- (5) One 30-inch reinforced concrete pipe.
- (6) Four 36-inch corrugated metal pipes.
- (7) One 36-inch reinforced concrete pipe. (Elevated inlet)
- (8) Debris capacity available within right of way limits.
- (9) Pit-type basin.
- (10) Information unavailable.
- (11) Special cleanout required due to limited storage.
- (12) Cleanout required when debris reaches or exceeds elevation 1128.9 feet against face of dam.
- (13) Values are combined with Cooks debris basin.
- (14) Spillway level storage capacity.
- (15) Data taken from design drawings.
- (16) 7 feet in diameter circular outlet type.
- (17) The maximum capacities have been rounded off with regard to appropriate precision consistent with the assumptions used in the development of Hydrology and Sedimentation Manual.
- (18) New maximum capacity based on "As-Built" topographic map number 78B-T56.

E R O S I O N C O N T R O L

DEBRIS BASIN - DESIGN DATA:

Including 1996-1997 Storm Season
(Sedimentation Management Unit)

Debris Basin	First Debris Season	Un-controlled Drainage Area Above Basin (Sq. Mi.)	Bottom Elev. at Max Cap. (ft)	Elevation Port Invert (ft)	Elevation Spillway Crest (ft)	Width Spillway	Elevation Crest of Dam	Maximum Debris Capacity (Cu. Yds)
Sturtevant	1967-68	0.03	975	971.0	984	8.0	990.0	1400
Sullivan	1970-71	2.38	570	570.0	587	50.0	599.3	51000
Sunnyside	1970-71	0.02	1290	1,290.0	1300	15.0	1,303.8	3400
Sunset (Lower)	1963-64	0.45	1004	994.5	1040	40.0	1,056.0	159000
Sunset (Upper)	1928-29	0.44	1574	1,574.0	1604	75.0	1,610.1	16000
Sunset Canyon-Deer	1982-83	0.21	1382	1,380.5	1402	24.0	1,409.1	5000
Turnbull	1952-53	0.99	476	475.6	492	40.0	503.0	22000
Upper Shields	1976-77	0.21	2498	2,498.0	2530	33.0	2,537.2	40000
Verdugo	1935-36	9.40	1110	1,110.0	1120	145.0	1,131.0	131000
Ward	1956-57	0.12	2022	2,022.0	2043	58.0	2,045.3	26000
West Ravine	1935-36	0.25	1469	1,469.6 (1)	1502	20.0	1,505.5	45000
Westridge	1974-75	0.02	894	894.0	901	10.7	906.0	1400 (14)
Wildwood	1967-68	0.65	1343	1,342.9	1354	50.0	1,360.0	21000
William S. Hart Park	1983-84	0.09	1282	1,280.0	1290	19.0	1,293.0	2400
Wilson	1962-63	2.58	1493	1,493.0	1526	60.0	1,543.0	313000
Winery	1968-69	0.18	1920	1,920.0	1935	20.0	1,945.0	29000
Zachau	1956-57	0.35	1803	1,803.1	1820	44.0	1,827.5	48000
116 DEBRIS BASINS		75.60						7,780,900

FOOTNOTES

- (1) Lowest clear water outlet, not spillway.
- (2) Elevation of spillway notch.
- (3) Flow line of sluiceway.
- (4) Elevation of spillway into outlet channel. Elevation of overflow spillway 1,036.9 feet.
- (5) One 30-inch reinforced concrete pipe.
- (6) Four 36-inch corrugated metal pipes.
- (7) One 36-inch reinforced concrete pipe. (Elevated inlet)
- (8) Debris capacity available within right of way limits.
- (9) Pit-type basin.
- (10) Information unavailable.
- (11) Special cleanout required due to limited storage.
- (12) Cleanout required when debris reaches or exceeds elevation 1128.9 feet against face of dam.
- (13) Values are combined with Cooks debris basin.
- (14) Spillway level storage capacity.
- (15) Data taken from design drawings.
- (16) 7 feet in diameter circular outlet type.
- (17) The maximum capacities have been rounded off with regard to appropriate precision consistent with the assumptions used in the development of Hydrology and Sedimentation Manual.
- (18) New maximum capacity based on "As-Built" topographic map number 78B-T56.

WATER CONSERVATION

WATER CONSERVATION

Information presented in this section includes amounts of local, imported, and reclaimed water conserved in spreading areas and information on the seawater barrier projects which prevent salt water intrusion into groundwater zones in the coastal areas. Pertinent data is presented regarding the locations and descriptions of the Department's water conservation facilities, as well as facilities owned by others. Additional data not presented in this report or its appendices can be obtained by contacting the [custodian](#) of hydrologic records.

CONSERVING THE WATERS

In addition to the flood control program, the Department has the equally important mission of conserving as much of the storm and other waters as practicable. The use of water conservation facilities adjacent to river channels and in soft-bottom channels permits water to percolate into groundwater basins for later pumping. These water spreading facilities are located in areas where the underlying soils are composed of permeable formations and in hydraulic connection with the underlying aquifer.

The various types of water conserved, local, imported, and reclaimed are construed to have the following meanings in this section: Local water is primarily runoff due to rainfall on the mountain and valley watersheds, dam releases, and rising water within the County. Imported water is water originating outside the County either from Northern California or from the Colorado River. Reclaimed water is the effluent produced by the Whittier Narrows Water Reclamation Plant, the San Jose Creek Water Reclamation Plant, and the Pomona Water Reclamation Plant, all operated by the Los Angeles County Sanitation District.

The importance of this activity is apparent when it is realized that about 30 to 40 percent of the water used in the County is pumped from groundwater supplies. The growth of the County, combined with periodic droughts, has seriously depleted these supplies on numerous occasions.

The Department's policy is to conserve the maximum possible amount of storm water consistent with runoff quantity and quality, capacities of the spreading facilities, and groundwater conditions.

IMPORTED WATER

During the reporting period, the Department received water imported from the Colorado River and the State Water Project by the Metropolitan Water District (MWD) and spread it in the Coastal Plain at the Department's Rio Hondo and San Gabriel Coastal Spreading Grounds on behalf of the Water Replenishment District of Southern California.

The Department spread imported water in the San Gabriel Valley on behalf of the San Gabriel Valley Municipal Water District, Upper San Gabriel Valley Municipal Water District, and the Three Valleys Municipal Water District in the following facilities:

- San Gabriel Canyon Spreading Grounds
- Santa Fe Spreading Grounds
- San Gabriel River
- Little Dalton Spreading Grounds
- Forbes Spreading Grounds
- Irwindale Spreading Basin/Manning Pit
-

RECYCLED WATER

The County Sanitation District's Whittier Narrows Water Reclamation Plant effluent purchased by the Water Replenishment District of Southern California is transported to the Rio Hondo and San Gabriel Coastal Basin Spreading Grounds for groundwater replenishment.

The County Sanitation District's San Jose Creek Water Reclamation Plant made its first delivery of effluent in November 1972. The effluent that is spread is purchased by the Water Replenishment District of Southern California.

WATER CONSERVATION

Water from the Pomona Reclamation Plant is released down the San Jose Creek - San Gabriel River System to the Department's recharge facilities in the San Gabriel Coastal Basin spreading grounds.

The maximum amount of reclaimed water allowed for spreading in the Montebello Forebay, effective July 1991, is 60,000 acre-feet per year but not to exceed 150,000 acre-feet over a three-year period.

SEAWATER BARRIER PROJECTS

The Department operates three barrier projects to protect the groundwater in the West Coast and Central Basins against seawater intrusion by creating freshwater pressure ridges along the coastline. The pressure ridges are created by injecting freshwater through a series of injection wells. The amounts of water injected by these wells during the reporting period are as follows:

Facility	Imported Water (Acre-Feet)	Recycled Water (Acre-Feet)
Alamitos Barrier Project:		
Los Angeles Portion	3,854 *	0
Orange County Portion *	1,703	0
Dominguez Gap Barrier Project	5,885	0
West Coast Basin Barrier Project	11,372	6,241

**Injected on behalf of the Orange County Water District*

SEASONAL DATA AND MAPS

During the reporting period, weekly, monthly, and semi-annual measurements of groundwater levels in observation wells located throughout the groundwater basins in Los Angeles County were made and processed.

Locations of the key wells noted herein are shown on the well map in the Water Conservation summary section. Historical key well level data can be downloaded as [ASCII](#) file or from the pull down selection in the Water Conservation summary section.

Static groundwater elevation contour maps for the three major groundwater regions in Los Angeles County are available from the local basin water agencies:

Groundwater Basin	Contact
Upper Los Angeles River Area (San Fernando Valley)	Upper Los Angeles River Watermaster P.O. Box 111, Room 1455 Los Angeles, CA 90051 (213) 367-1020 (213) 367-1131 (FAX)
San Gabriel Valley	Main San Gabriel Basin Watermaster 729 North Azusa Avenue Azusa, CA 91702 (626) 815-1300 (626) 815-1303 (FAX)
Coastal Plain	Water Replenishment District of Southern California 12621 East 166th Street Cerritos, CA 90703 (562) 921-5521 (562) 921-6101 (FAX)

WATER CONSERVATION

GROUNDWATER BASINS AND GROUNDWATER RECHARGE

Groundwater in Los Angeles County is stored in basins underlying five major geographic areas. These groundwater basins are separated by geologic features which impede groundwater movement or by political boundaries. A map of these groundwater basins and the Department's spreading grounds is available upon request from the Department. General spreading grounds facility information is included in the summary section. Monthly water conservation data for the reporting period at the Department's facilities and other pertinent facilities are included in the Water Conservation Summary section of this report. The monthly imported and recycled water deliveries for the reporting period are also included in the Water Conservation summary section. The following is a background summary of the Department's groundwater recharge activities within each of these major areas:

COUNTY-WIDE

The Department operates 2,436 acres of spreading grounds and soft-bottom channel spreading areas for replenishment of local groundwater supplies. The Department also assisted in the operation and maintenance of 269 acres of spreading grounds owned by others. An additional 656 acres of spreading grounds are controlled maintained and operated by other agencies. The total gross acreage of spreading grounds in Los Angeles County is 3,361 acres.

Groundwater replenishment consists of storm runoff, imported water, and recycled water. County-wide, the Department spread the following amounts during the reporting period:

County Rainfall Index (% of Normal)	87 *
Storm Runoff (acre-feet)	179,966
Imported Water (acre-feet)	65,543
Recycled Water (acre-feet)	49,960

The Department is continuing its efforts to improve its water spreading facilities in order to maximize the amounts of water conserved and to simplify the spreading operations.

SAN GABRIEL VALLEY

The Department operates 20 spreading facilities in the San Gabriel Valley that receive direct valley runoff and flows from the San Gabriel Mountains. Some of these facilities can also receive imported water. Valley-wide, the Department spread the following amounts during the reporting period:

Storm Runoff (acre-feet)	94,944
Imported Water (acre-feet)	45,554
Diversions to Grounds Owned by Others (acre-feet)	9,855

The Department's spreading grounds replenished the Valley's several groundwater basins as follows:

	Storm Water (acre-feet)	Imported Water (acre-feet)	Key Wells
Main San Gabriel Basin	142,710	19,970	3030F, 2965C
Upper San Gabriel Canyon Basin	12,562	7,970	4284A
Lower San Gabriel Canyon Basin	1,085	0	4285
Wayhill Basin	231	1,271	
Foothill Basin	1,497	0	

WATER CONSERVATION

Glendora Basin	962	954	
Claremont Heights Basin	0	0	4508A, 4508B
Live Oak Basin	0	0	
Chino Basin	0	0	
San Dimas Basin	260	0	
Pomona Basin	0	0	3251E, 3261P, 4469A
Puente and Spadra Basins	0	0	
Raymond Basin	6,600	0	4057H

COASTAL PLAIN

The groundwater basins underlying the Coastal Plain are divided by geological features into the Central (includes the Montebello and Los Angeles Forebays), West Coast, Santa Monica, and Hollywood Basins. Most of the water is spread in the Montebello Forebay. The Department spread the following amounts in the Coastal Plain during the reporting period:

Storm Runoff (acre-feet)	58,262
Imported Water (acre-feet)	19,990
Recycled Water (acre-feet)	49,959

Central Basin

The Central Basin has the most storage capacity of the basins in the Coastal Plain. In addition to the water recharged in the Department's spreading facilities, water injected in the Alamitos Barrier Project also contributes to the replenishment of the pressure aquifers underlying the Central Basin. The basin contains Key Well Nos. 460K, 1601T, and 906D.

West Coast Basin

The West Coast basin is the second largest basin underlying the Coastal Plain and is separated by the Newport-Inglewood Fault zone. Groundwater is primarily recharged by Central Basin subsurface flows and by water injected by the Department in the West Coast Basin and Dominguez Gap Barrier Projects. Groundwater elevations in the West Coast basin are below sea level except in the area of the West Coast Basin Barrier injection mound. The basin contains Key Well Nos. 1346D and 760C.

Santa Monica and Hollywood

The Department has no spreading facilities in either of these basins.

SAN FERNANDO VALLEY

The San Fernando Valley is also known as the Upper Los Angeles River Area (ULARA). Most of the runoff from the surrounding mountains flows to the Valley. The Valley comprises of four basins:

San Fernando Main Basin

The basin is the largest basin underlying the San Fernando Valley. The basin contains Key Well Nos. 3872H and 4709. The Department spread the following during the reporting period:

Storm Runoff (acre-feet)	23,120
Imported Water (acre-feet)	0
Recycled Water (acre-feet)	0

WATER CONSERVATION

Sylmar, Verdugo, and Eagle Rock Basins

The Department has no spreading facilities in these much smaller basins.

SANTA CLARITA VALLEY

The Department has no spreading facilities in the area. Much of the Valley is open space, permitting substantial natural percolation.

The Upper Santa Clarita subunit comprises five basins.

ANTELOPE VALLEY

There are several groundwater subbasins underlying the Antelope Valley. Five of them are located within Los Angeles County.

The Department operates no spreading facilities in the Antelope Valley.

Key Well Nos. 9974 and 8825 are located in the Lancaster and Little Rock subbasins, respectively.

WATER CONSERVATION

SUMMARY

SPREADING FACILITIES OWNED AND OPERATED BY THE DEPARTMENT

[Appendix F](#)

NON DPW FACILITIES

[Appendix G](#)

TOTAL MONTHLY WATER CONSERVED

[Appendix H](#)

IMPORTED WATER OUTLET RELEASES

[Appendix I](#)

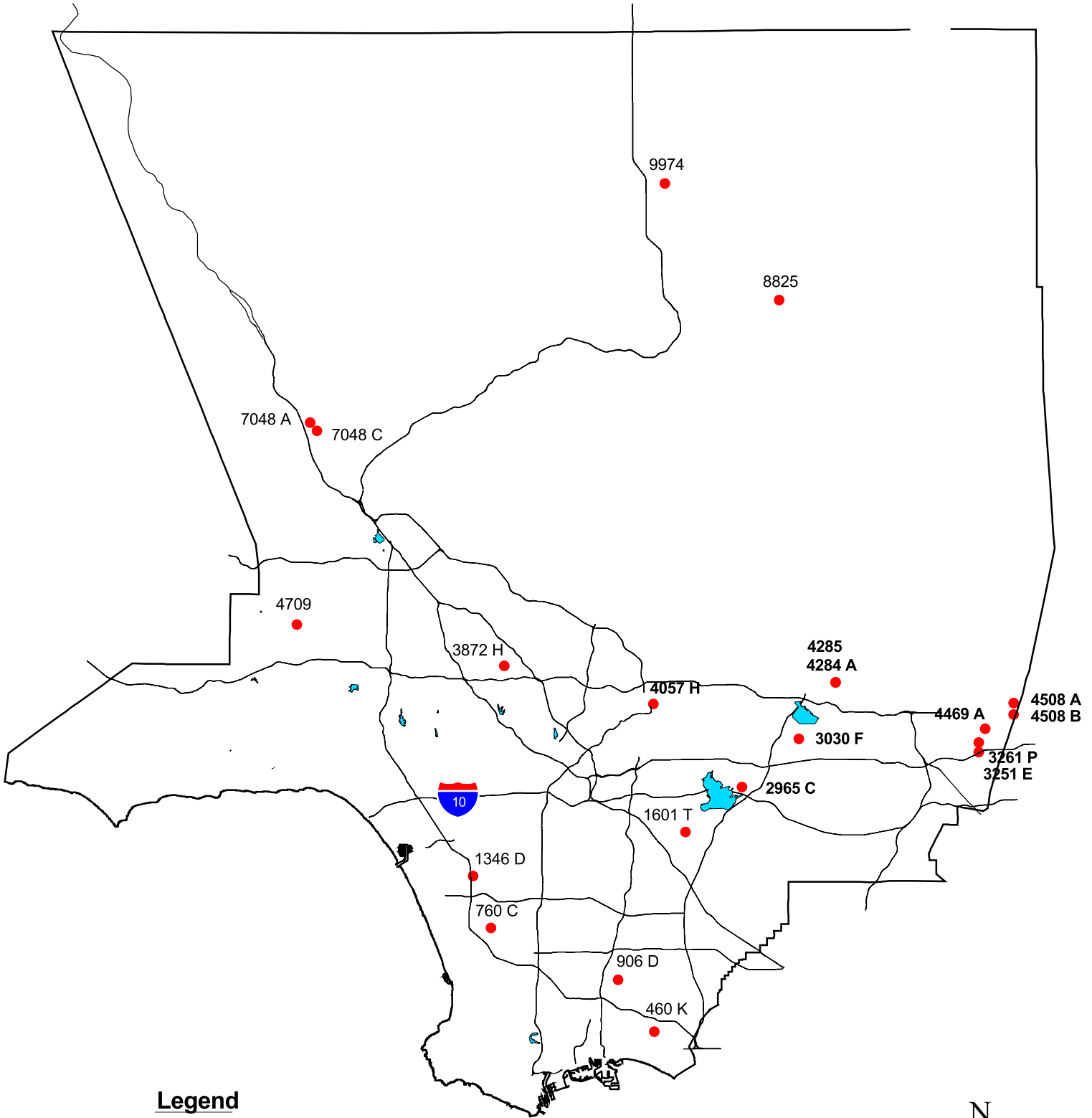
RECLAIMED WATER

[Appendix J](#)

GROUND WATER FLUCTUATION

[Appendix K](#)

Location	Appendix K
Coastal Plain, City of Long Beach	Appendix K – 1
Coastal Plain	Appendix K – 2
Coastal Plain, City of Long Beach	Appendix K – 3
Central Basin	Appendix K – 4
Main San Gabriel Basin	Appendix K – 5
Main San Gabriel Basin, Baldwin Park	Appendix K – 6
Pomona Basin	Appendix K – 7
San Fernando Valley, Canoga Park	Appendix K – 8
San Fernando Valley, Burbank	Appendix K – 9
Raymond Basin	Appendix K – 10
San Gabriel Canyon Basin, North of Azusa	Appendix K – 11
Upper Claremont Heights	Appendix K – 12
Santa Clarita Valley, Near Castaic Junction	Appendix K – 13
Little Rock, South of Palmdale	Appendix K – 14
Antelope Valley, South of Lancaster	Appendix K – 15



Legend

● Keywell Location



Not to scale

APPENDIX A

HYDROLOGIC REPORT 1996 – 1997

PRECIPITATION – DAILY RAINFALL SUMMARY

PRECIPITATION

DAILY RAINFALL SUMMARY

5B Calabasas

Gage Type: Standard 8 inch diameter (DPW)

Observation Time: 800

Latitude 34-09-24

Longitude: 118-38-14

Elevation: 924 Feet

Water Year from 10/01/1996 to 09/30/1997

Day	Oct	Nov	Dec	Jan	Feb	Mar	Apr	May	Jun	Jul	Aug	Sep
1				0.04								
2				0.42								0.06
3												
4												
5			0.07									
6			0.29									
7												
8												
9			1.53									
10			1.16		0.08							
11			1.30		0.04							
12			0.05	0.50								
13				0.55								
14				0.10								
15				0.75								
16												
17					0.10							
18												0.07
19	T											
20				0.50								
21		1.32		0.32								
22		0.30	0.74	0.15								
23				0.75								
24				0.47								
25				0.22								0.27
26				0.40								
27			0.47	0.21								
28			0.12									
29												
30	1.74											
31												
Totals	1.74	1.62	5.73	5.38	0.22	0.00	0.00	0.00	0.00	0.00	0.00	0.40
												Water Year Total: 15.09

NOTE: All Values are in units of inches, unless otherwise specified.

LEGEND: A - Acculated Total
 E - Estimated
 T - Trace, unmeasurable amount of rain

Data Revised: March 2011

PRECIPITATION

DAILY RAINFALL SUMMARY

6 Topanga Patrol Station

Gage Type: Daily Automatic (DPW)

Observation Time: 2400

Latitude 34-05-03

Longitude: 118-35-57

Elevation: 745 Feet

Water Year from 10/01/1996 to 09/30/1997

Day	Oct	Nov	Dec	Jan	Feb	Mar	Apr	May	Jun	Jul	Aug	Sep
1				0.09E								
2				0.37E								
3				0.13E								
4												
5			0.10	0.01E								
6												
7												
8												
9			2.90									
10			2.30		0.12							
11			1.20									
12			0.09E	0.60								
13			0.02E	0.12								
14				0.12					0.04			
15				1.36								
16												
17					0.16							
18												
19												
20		0.13E		0.24								
21		1.76E		0.40								
22		0.17E	0.89E	0.88								
23		0.01E		0.76								
24												
25				1.00								0.12
26				0.36								
27			0.67E									
28			0.62E									
29	0.30											
30	2.70											
31												
Totals	3.00	2.07	8.79	6.44	0.28	0.00	0.00	0.00	0.04	0.00	0.00	0.12
												Water Year Total: 20.74

NOTE: All Values are in units of inches, unless otherwise specified.

LEGEND: A - Acculated Total
 E - Estimated
 T - Trace, unmeasurable amount of rain

Data Revised: March 2011

PRECIPITATION

DAILY RAINFALL SUMMARY

9B Sepulveda and Rayen

Gage Type: Standard 8 inch diameter (DPW)

Observation Time: 800

Latitude 34-13-52

Longitude: 118-28-04

Elevation: 828 Feet

Water Year from 10/01/1996 to 09/30/1997

Day	Oct	Nov	Dec	Jan	Feb	Mar	Apr	May	Jun	Jul	Aug	Sep
1												
2				0.33								
3												
4				0.40								
5				0.02								
6			0.38									
7												
8												
9												
10			1.78									
11			2.12									
12				0.53								
13			0.42	0.73								
14				0.08								
15				0.40								
16				0.25								
17												0.02
18												
19												
20												
21				0.25								
22		1.80	0.58	0.48								
23			0.60	0.50								
24												
25				0.15								0.05
26				0.65								
27				0.50								0.45
28			0.50									
29												
30	0.81											
31	0.02											
Totals	0.83	1.80	6.38	5.27	0.00	0.00	0.00	0.00	0.00	0.00	0.00	0.52
												Water Year Total: 14.80

NOTE: All Values are in units of inches, unless otherwise specified.

LEGEND: A - Acculated Total
 E - Estimated
 T - Trace, unmeasurable amount of rain

Data Revised: March 2011

PRECIPITATION

DAILY RAINFALL SUMMARY

10A **Bel Air Hotel**

Gage Type: Daily Automatic (DPW)

Observation Time: 2400

Latitude 34-05-11

Longitude: 118-26-45

Elevation: 540 Feet

Water Year from 10/01/1996 to 09/30/1997

Day	Oct	Nov	Dec	Jan	Feb	Mar	Apr	May	Jun	Jul	Aug	Sep
1				0.20								
2				0.47								
3				0.04								
4				0.04								
5			0.19									
6			0.04									
7												
8												
9			2.33									
10			1.26		0.08							
11			0.94									
12			0.04	1.37								
13				0.20								
14				0.08								
15				0.87								
16												
17					0.11							
18												
19												
20				0.04								
21		1.81		0.51								
22		0.40	1.38	0.55								
23				1.02								
24												
25				0.95								0.32
26			0.04	0.59								
27			1.22									
28												
29	0.28											
30	1.41											
31												
Totals	1.69	2.21	7.44	6.93	0.19	0.00	0.00	0.00	0.00	0.00	0.00	0.32
												Water Year Total: 18.78

NOTE: All Values are in units of inches, unless otherwise specified.

LEGEND: A - Acculated Total
 E - Estimated
 T - Trace, unmeasurable amount of rain

Data Revised: March 2011

PRECIPITATION

DAILY RAINFALL SUMMARY

11D Upper Franklin Canyon Reservoir

Gage Type: Standard 8 inch diameter

Observation Time: 800

Latitude 34-07-10

Longitude: 118-24-35

Elevation: 867 Feet

Water Year from 10/01/1996 to 09/30/1997

Day	Oct	Nov	Dec	Jan	Feb	Mar	Apr	May	Jun	Jul	Aug	Sep
1												
2				0.22								
3				0.29								
4												
5				0.02								
6			0.19									
7			T									
8												
9												
10			2.30									
11			2.00		0.09							
12			0.25	0.05								
13				1.39								
14				0.11								
15				1.33								
16				0.02								
17												
18					0.10							
19	T											
20				0.06								
21		0.42		T								
22		1.40	0.05	0.47								
23		0.12	1.00									
24				T								
25				0.05								0.03E
26				0.87								0.27E
27			0.42	0.29								
28			0.23									
29												
30	1.49											
31												
Totals	1.49	1.94	6.44	5.17	0.19	0.00	0.00	0.00	0.00	0.00	0.00	0.30
												Water Year Total: 15.53

NOTE: All Values are in units of inches, unless otherwise specified.

LEGEND: A - Acculated Total
 E - Estimated
 T - Trace, unmeasurable amount of rain

Data Revised: March 2011

PRECIPITATION

DAILY RAINFALL SUMMARY

13C North Hollywood-Lakeside

Gage Type: Standard 8 inch diameter (DPW)

Observation Time: 800

Latitude 34-08-46

Longitude: 118-21-13

Elevation: 550 Feet

Water Year from 10/01/1996 to 09/30/1997

Day	Oct	Nov	Dec	Jan	Feb	Mar	Apr	May	Jun	Jul	Aug	Sep
1												
2				0.25								
3				0.19								
4												
5												
6			0.06									
7												
8												
9												
10			2.60									
11			1.50									
12			0.24		0.12							
13				1.20								
14				0.10								
15				0.13								
16				1.15								
17												
18					0.20							
19												
20												
21		0.26		0.75								
22		1.28		0.25								
23		0.05	1.03	0.74								
24												
25				0.05								0.06
26				0.90								0.30
27			0.03	0.27								
28			0.48									
29												
30	0.97											
31	0.38											
Totals	1.35	1.59	5.94	5.98	0.32	0.00	0.00	0.00	0.00	0.00	0.00	0.36
												Water Year Total: 15.54

NOTE: All Values are in units of inches, unless otherwise specified.

LEGEND: A - Acculated Total
 E - Estimated
 T - Trace, unmeasurable amount of rain

Data Revised: March 2011

PRECIPITATION

DAILY RAINFALL SUMMARY

17 Sepulveda Canyon At Mulholland

Gage Type: Daily Automatic (DPW)

Observation Time: 2400

Latitude 34-07-51

Longitude: 118-29-26

Elevation: 1425 Feet

Water Year from 10/01/1996 to 09/30/1997

Day	Oct	Nov	Dec	Jan	Feb	Mar	Apr	May	Jun	Jul	Aug	Sep
1				0.19								
2				0.24								
3												
4												
5			0.27	0.04								
6			0.04									
7												
8												
9												
10			3.07		0.08							
11			1.93		0.03							
12			0.87	1.06								
13			0.04	0.08								
14				0.16								
15				1.53								
16												
17					0.04							
18												
19												
20				0.59								
21		1.30		0.32								
22		0.08	1.29	0.71								
23				0.71								
24												
25				0.98								0.04
26				0.28								
27			1.11									
28												
29	0.43											
30	1.62											
31			0.04									
Totals	2.05	1.38	8.66	6.89	0.15	0.00	0.00	0.00	0.00	0.00	0.00	0.04
Water Year Total:												19.17

NOTE: All Values are in units of inches, unless otherwise specified.

LEGEND: A - Acculated Total
 E - Estimated
 T - Trace, unmeasurable amount of rain

Data Revised: March 2011

PRECIPITATION

DAILY RAINFALL SUMMARY

20B Girard Reservoir

Gage Type: Standard 8 inch diameter (DPW)

Observation Time: 800

Latitude 34-09-07

Longitude: 118-36-36

Elevation: 986 Feet

Water Year from 10/01/1996 to 09/30/1997

Day	Oct	Nov	Dec	Jan	Feb	Mar	Apr	May	Jun	Jul	Aug	Sep
1												
2				0.25								
3				0.06								0.04
4												
5												
6			0.32									
7												
8												
9			1.45E									
10			1.20E									
11			1.48E	A								
12			0.13	A								
13			0.03	A								
14				0.89A								
15				0.98								
16												
17												
18				A	A							
19				A	0.18A							
20				0.62A								
21												
22		1.48		1.02								
23			0.69									
24												
25		0.03		0.06								
26												0.32
27			A	0.74								
28			0.54A									
29												
30	1.36											
31			0.01									
Totals	1.36	1.51	5.85	4.62	0.18	0.00	0.00	0.00	0.00	0.00	0.00	0.36
												Water Year Total: 13.88

NOTE: All Values are in units of inches, unless otherwise specified.

LEGEND: A - Acculated Total
 E - Estimated
 T - Trace, unmeasurable amount of rain

Data Revised: March 2011

PRECIPITATION

DAILY RAINFALL SUMMARY

21B Woodland Hills

Gage Type: Standard 8 inch diameter (DPW)

Observation Time: 800

Latitude 34-10-14

Longitude: 118-35-33

Elevation: 875 Feet

Water Year from 10/01/1996 to 09/30/1997

Day	Oct	Nov	Dec	Jan	Feb	Mar	Apr	May	Jun	Jul	Aug	Sep
1				0.04								
2				0.29								
3				0.08								
4												
5			0.08	0.03								
6			0.28									
7												
8												
9			1.25									
10			1.20		0.06							
11			1.33		0.04							
12			0.18	0.45								
13				0.47								
14				0.10								
15				0.90								
16												
17					0.23							
18												
19												
20				0.31								
21		1.32		0.32								
22		0.27	0.56	0.18								
23				0.53								
24				0.03								
25				0.22								0.35
26				0.55								
27			0.35	0.11								
28			0.07									
29												
30	1.41											
31			0.02									
Totals	1.41	1.59	5.32	4.61	0.33	0.00	0.00	0.00	0.00	0.00	0.00	0.35
												Water Year Total: 13.61

NOTE: All Values are in units of inches, unless otherwise specified.

LEGEND: A - Acculated Total
 E - Estimated
 T - Trace, unmeasurable amount of rain

Data Revised: March 2011

PRECIPITATION

DAILY RAINFALL SUMMARY

23B Chatsworth Reservoir

Gage Type: Standard 8 inch diameter

Observation Time: 800

Latitude 34-13-44

Longitude: 118-37-18

Elevation: 900 Feet

Water Year from 10/01/1996 to 09/30/1997

Day	Oct	Nov	Dec	Jan	Feb	Mar	Apr	May	Jun	Jul	Aug	Sep
1												
2											0.12	
3				0.62								
4												
5												
6			0.26									
7				0.01								
8												
9												
10			2.01									
11					0.10							
12												
13			2.58	0.98								
14				0.03								
15				0.74								
16				0.04								
17												
18					0.35							
19												
20												
21		A		0.38								
22		1.78A		0.44						T		
23		0.01	1.24	0.73								
24												
25												
26												0.24
27			0.35	1.23								
28												
29												
30	1.29		0.42									
31			0.01									
Totals	1.29	1.79	6.87	5.20	0.45	0.00	0.00	0.00	0.00	0.00	0.12	0.24
											Water Year Total:	15.96

NOTE: All Values are in units of inches, unless otherwise specified.

LEGEND: A - Acculated Total
 E - Estimated
 T - Trace, unmeasurable amount of rain

Data Revised: March 2011

PRECIPITATION

DAILY RAINFALL SUMMARY

25C Northridge-L.A.D.W.P.

Gage Type: Standard 8 inch diameter

Observation Time: 800

Latitude 34-13-52

Longitude: 118-32-28

Elevation: 810 Feet

Water Year from 10/01/1996 to 09/30/1997

Day	Oct	Nov	Dec	Jan	Feb	Mar	Apr	May	Jun	Jul	Aug	Sep
1												T
2				0.35								
3				0.43								
4												
5												
6			0.48T	0.01								
7												
8												
9			T									
10			1.69									
11			1.94		0.11E							
12			0.54									
13			0.02	1.02								
14				0.05								
15				0.30								
16				0.35								
17					0.20E							
18												
19												
20											T	
21		0.60		0.44								
22		1.20		0.50						T		
23			1.15	0.68								
24				0.06								
25				0.01								0.05
26				0.67								0.33
27			0.05	0.52								
28				T								
29												
30	0.78		0.47									
31	0.13		0.02									
Totals	0.91	1.80	6.36	5.39	0.31	0.00	0.00	0.00	0.00	0.00	0.00	0.38
												Water Year Total: 15.15

NOTE: All Values are in units of inches, unless otherwise specified.

LEGEND: A - Acculated Total
 E - Estimated
 T - Trace, unmeasurable amount of rain

Data Revised: March 2011

PRECIPITATION

DAILY RAINFALL SUMMARY

32C Newhall - Fire Station 73

Gage Type: Standard recording gage (DPW)

Observation Time: 800

Latitude 34-23-07

Longitude: 118-31-54

Elevation: 1243 Feet

Water Year from 10/01/1996 to 09/30/1997

Day	Oct	Nov	Dec	Jan	Feb	Mar	Apr	May	Jun	Jul	Aug	Sep
1												
2												
3												
4												
5			0.20									
6				0.04								
7												
8												
9			1.82									
10			0.94									
11			0.20		0.16							
12				0.47								
13				0.08								
14												
15				0.91								
16				0.15								
17					0.07							
18												
19												
20				0.28								
21		0.15E	0.15	0.04								
22		1.35E	2.01	0.23								
23				0.28								
24												
25				0.67								0.36
26				0.67								
27			0.48									
28												
29												
30	0.50E											
31	0.21E											
Totals	0.71	1.50	5.80	3.82	0.23	0.00	0.00	0.00	0.00	0.00	0.00	0.36
	Water Year Total:											12.42

NOTE: All Values are in units of inches, unless otherwise specified.

LEGEND: A - Acculated Total
 E - Estimated
 T - Trace, unmeasurable amount of rain

Data Revised: March 2011

PRECIPITATION

DAILY RAINFALL SUMMARY

33A Pacoima Dam

Gage Type: Standard 8 inch diameter (DPW)

Observation Time: 800

Latitude 34-19-48

Longitude: 118-23-59

Elevation: 1500 Feet

Water Year from 10/01/1996 to 09/30/1997

Day	Oct	Nov	Dec	Jan	Feb	Mar	Apr	May	Jun	Jul	Aug	Sep
1				0.01								
2				0.19								
3				1.36								
4				0.03								
5				0.04								
6			0.19									
7												
8												
9												
10			1.48								0.03	
11			1.36		0.26						0.02	
12			0.70									
13				1.17					0.01			
14				0.05								
15				0.29								
16				0.59								
17												
18					0.53							
19												T
20				0.02								
21		0.69		0.46								
22		2.60	0.69	0.35								
23		0.10	1.43	0.81						T		
24				0.11								
25				0.10								0.02
26				1.31								0.28
27			0.02	0.44								0.06
28			0.53			T						
29												
30	0.45											
31	0.38											
Totals	0.83	3.39	6.40	7.33	0.79	0.00	0.00	0.00	0.01	0.00	0.05	0.36
											Water Year Total:	19.16

NOTE: All Values are in units of inches, unless otherwise specified.

LEGEND: A - Acculated Total
 E - Estimated
 T - Trace, unmeasurable amount of rain

Data Revised: March 2011

PRECIPITATION

DAILY RAINFALL SUMMARY

42C Redondo Beach-City Hall

Gage Type: Standard 8 inch diameter (DPW)

Observation Time: 800

Latitude 33-50-43

Longitude: 118-23-20

Elevation: 70 Feet

Water Year from 10/01/1996 to 09/30/1997

Day	Oct	Nov	Dec	Jan	Feb	Mar	Apr	May	Jun	Jul	Aug	Sep
1												
2				0.28								
3												
4												
5												
6			0.12	0.38								
7												
8												
9												
10			1.09									
11			1.92		0.21							
12			0.11									
13				0.86								
14				0.08								
15				1.08								0.03E
16												
17												
18					T							
19												
20				T								
21		1.18		T								
22		0.63	0.11							T		
23				1.12								
24				0.03								
25												0.26E
26				1.07								
27												
28			1.55									
29												
30	1.02											
31												
Totals	1.02	1.81	4.90	4.90	0.21	0.00	0.00	0.00	0.00	0.00	0.00	0.29
												Water Year Total: 13.13

NOTE: All Values are in units of inches, unless otherwise specified.

LEGEND: A - Acculated Total
 E - Estimated
 T - Trace, unmeasurable amount of rain

Data Revised: March 2011

PRECIPITATION

DAILY RAINFALL SUMMARY

43D Palos Verdes Estates

Gage Type: Standard 8 inch diameter (DPW)

Observation Time: 800

Latitude 33-47-58

Longitude: 118-23-29

Elevation: 216 Feet

Water Year from 10/01/1996 to 09/30/1997

Day	Oct	Nov	Dec	Jan	Feb	Mar	Apr	May	Jun	Jul	Aug	Sep
1												
2				0.39								
3				0.27								
4												
5												
6			0.11	0.05								
7												
8												
9												
10			0.91									
11			1.65		0.09							
12												
13				1.55								
14												
15				1.23								0.15
16				0.04								
17												
18					0.05							
19												
20												
21		1.40E										
22		0.75E		0.57								
23			0.12	0.65								
24				0.06								
25												
26												0.18
27			0.44	0.73								
28												
29												
30	0.86		0.35									
31			0.05									
Totals	0.86	2.15	3.63	5.54	0.14	0.00	0.00	0.00	0.00	0.00	0.00	0.33
											Water Year Total:	12.65

NOTE: All Values are in units of inches, unless otherwise specified.

LEGEND: A - Acculated Total
 E - Estimated
 T - Trace, unmeasurable amount of rain

Data Revised: March 2011

PRECIPITATION

DAILY RAINFALL SUMMARY

44A Point Vicente Lighthouse

Gage Type: Daily Automatic (DPW)

Observation Time: 2400

Latitude 33-44-30

Longitude: 118-24-38

Elevation: 125 Feet

Water Year from 10/01/1996 to 09/30/1997

Day	Oct	Nov	Dec	Jan	Feb	Mar	Apr	May	Jun	Jul	Aug	Sep
1				0.24								
2				0.23								
3				0.04								
4												
5			0.08	0.04								
6												
7												
8												
9			1.26									
10			0.79		0.11							
11			1.37									
12			0.08									
13												
14				0.16								
15				0.55								
16												
17												
18												
19												
20		0.01E										
21		0.30E		0.19								
22		1.48E		0.20								
23				0.40								
24												
25				0.94								0.20
26				0.24								0.12
27			0.83									
28			0.04									
29												
30	0.75											
31												
Totals	0.75	1.79	4.45	3.23	0.11	0.00	0.00	0.00	0.00	0.00	0.00	0.32
Water Year Total:												10.65

NOTE: All Values are in units of inches, unless otherwise specified.

LEGEND: A - Acculated Total
 E - Estimated
 T - Trace, unmeasurable amount of rain

Data Revised: March 2011

PRECIPITATION

DAILY RAINFALL SUMMARY

46D Big Tujunga Dam

Gage Type: Standard 8 inch diameter (DPW)

Observation Time: 800

Latitude 34-17-40

Longitude: 118-11-14

Elevation: 2315 Feet

Water Year from 10/01/1996 to 09/30/1997

Day	Oct	Nov	Dec	Jan	Feb	Mar	Apr	May	Jun	Jul	Aug	Sep
1				0.03								
2				0.07								
3				0.57			0.05					
4												
5				0.06			0.01					
6			0.11						T			
7												
8												
9												
10			2.91									
11			1.82		0.32							
12			0.19	0.02								
13				1.36					0.16T			
14				0.28								
15				0.25								
16				0.73								
17												
18					0.33							
19	T											
20												
21		0.49		0.40								
22		1.94	1.48	0.20						T		
23		0.28	2.25	0.85						T		
24				0.08								
25				0.04								0.25
26				1.30								0.53
27			0.07	0.20	0.08							
28			0.38		0.02							
29												
30	1.67											
31	0.60											
Totals	2.27	2.71	9.21	6.44	0.75	0.00	0.06	0.00	0.16	0.00	0.00	0.78
												Water Year Total: 22.38

NOTE: All Values are in units of inches, unless otherwise specified.

LEGEND: A - Acculated Total
 E - Estimated
 T - Trace, unmeasurable amount of rain

Data Revised: March 2011

PRECIPITATION

DAILY RAINFALL SUMMARY

47D Clear Creek-City School

Gage Type: Daily Automatic (DPW)

Observation Time: 2400

Latitude 34-16-38

Longitude: 118-10-12

Elevation: 3150 Feet

Water Year from 10/01/1996 to 09/30/1997

Day	Oct	Nov	Dec	Jan	Feb	Mar	Apr	May	Jun	Jul	Aug	Sep
1												
2				0.63								
3				0.12								
4							0.04					
5				0.15								
6			0.08	0.04								
7												
8												
9			2.28									
10			2.20		0.19							
11			0.99		0.04							
12				1.34								
13				0.28					0.16			
14				0.27					0.04			
15				0.43								
16												
17				0.56	0.19							
18					0.04							
19												
20				0.39								
21		2.60		0.47								
22		1.20	4.29	0.75								0.04
23				0.59								
24												
25				1.46								0.74
26				0.67								
27		0.10	0.67		0.16							
28			0.04									
29												
30	2.50			0.04								
31												
Totals	2.50	3.90	10.55	8.19	0.62	0.00	0.04	0.00	0.20	0.00	0.00	0.78
												Water Year Total: 26.78

NOTE: All Values are in units of inches, unless otherwise specified.

LEGEND: A - Acculated Total
 E - Estimated
 T - Trace, unmeasurable amount of rain

Data Revised: March 2011

PRECIPITATION

DAILY RAINFALL SUMMARY

53D Colby's

Gage Type: Daily Automatic (DPW)

Observation Time: 2400

Latitude 34-18-05

Longitude: 118-06-39

Elevation: 3620 Feet

Water Year from 10/01/1996 to 09/30/1997

Day	Oct	Nov	Dec	Jan	Feb	Mar	Apr	May	Jun	Jul	Aug	Sep
1				0.02E								
2				0.12E								
3				0.64E			0.16E					
4							0.02E					
5				0.12E								
6			0.10E									
7												
8												
9												
10			2.40E									
11			1.72E									
12			0.39E	0.03E	0.19E							
13				1.29E								
14				0.29E								
15				0.24E								
16				0.53E								
17												
18					0.23E							
19												
20												
21		2.54		0.39E								
22		0.35	1.58E	0.31E						0.02E		
23			2.08E	0.70E								
24				0.22E								
25				0.01E								0.27E
26				1.27E								0.63E
27			0.05E	0.40E	0.09E							
28			0.40E		0.02E							
29			0.02E									
30	2.35								E			
31						E		E			E	
Totals	2.35	2.89	8.74	6.58	0.53	0.00	0.18	0.00	0.00	0.02	0.00	0.90
										Water Year Total:		22.19

NOTE: All Values are in units of inches, unless otherwise specified.

LEGEND: A - Acculated Total
 E - Estimated
 T - Trace, unmeasurable amount of rain

Data Revised: March 2011

PRECIPITATION

DAILY RAINFALL SUMMARY

54C Loomis Ranch-Alder Creek

Gage Type: Daily Automatic (DPW)

Observation Time: 2400

Latitude 34-20-55

Longitude: 118-02-54

Elevation: 4325 Feet

Water Year from 10/01/1996 to 09/30/1997

Day	Oct	Nov	Dec	Jan	Feb	Mar	Apr	May	Jun	Jul	Aug	Sep
1							T					
2				0.13E								
3				0.60E								
4												T
5				0.14E								
6			0.07E								T	
7												
8												
9												
10			2.17E									
11			1.17E				T					
12			0.43E									
13									T	T		
14				0.21E								
15				1.42E								
16				0.58E								
17												T
18					0.49							T
19												
20												
21		1.96E		0.27E								
22		0.37E	1.82E	0.34E								
23		0.01E	0.87E	0.43E								
24												
25				1.11E								1.39
26				0.49E								
27	0.01		0.25E									
28			0.16E		0.07							
29	A											
30	1.20A											
31												
Totals	1.21	2.34	6.94	5.72	0.56	0.00	0.00	0.00	0.00	0.00	0.00	1.39
												Water Year Total: 18.16

NOTE: All Values are in units of inches, unless otherwise specified.

LEGEND: A - Acculated Total
 E - Estimated
 T - Trace, unmeasurable amount of rain

Data Revised: March 2011

PRECIPITATION

DAILY RAINFALL SUMMARY

57B **Camp Hi Hill (Opids)**

Gage Type: Daily Automatic (DPW)

Observation Time: 2400

Latitude 34-15-18

Longitude: 118-05-41

Elevation: 4250 Feet

Water Year from 10/01/1996 to 09/30/1997

Day	Oct	Nov	Dec	Jan	Feb	Mar	Apr	May	Jun	Jul	Aug	Sep
1				0.09E								
2				0.21E								
3				0.96E			0.08E					
4							0.03E					
5			0.08	0.22E								
6			0.02									
7												
8												
9			1.91									
10			1.83									
11			1.79		0.61E							
12			0.88	0.33E								
13			0.03	1.56E					0.30E			
14				0.23E								
15				0.76E								T
16				0.28E								
17												
18					0.20E							
19												
20												
21		1.39E		0.66E								
22		1.94E	3.77	0.54E						0.01E		
23		0.08E	0.67	1.02E								
24				0.36E								
25												1.11E
26				1.43E								
27			1.57	0.49E	0.15E							
28			0.03									
29			0.01									
30	1.66E											
31	0.25E					E		E			E	
Totals	1.91	3.41	12.59	9.14	0.96	0.00	0.11	0.00	0.30	0.01	0.00	1.11
												Water Year Total: 29.54

NOTE: All Values are in units of inches, unless otherwise specified.

LEGEND: A - Acculated Total
 E - Estimated
 T - Trace, unmeasurable amount of rain

Data Revised: March 2011

PRECIPITATION

DAILY RAINFALL SUMMARY

63C Santa Anita Dam

Gage Type: Daily Automatic (DPW)

Observation Time: 2400

Latitude 34-11-03

Longitude: 118-01-12

Elevation: 1400 Feet

Water Year from 10/01/1996 to 09/30/1997

Day	Oct	Nov	Dec	Jan	Feb	Mar	Apr	May	Jun	Jul	Aug	Sep
1				0.02								
2				0.55								
3				1.40								
4				0.10								
5							0.08					
6			0.28	T					0.62			
7			0.03									
8												
9												
10			2.41								T	
11			3.22	0.18	0.23							
12			0.90	1.93					T			
13			0.02	0.16					0.39			
14				0.12					0.29			
15				1.14								0.08
16												
17					0.05							
18												
19												
20												
21		0.75	0.69	0.70								
22		3.45	1.04	0.29						T		
23		0.14		1.51		0.06				T		
24				0.20								
25				0.07								0.23
26			0.06	1.92								0.73
27			1.04	0.58	0.30							
28			0.12		0.08							
29	1.20											
30	0.81											
31						0.01						
Totals	2.01	4.34	9.81	10.87	0.66	0.07	0.08	0.00	1.30	0.00	0.00	1.04
												Water Year Total: 30.18

NOTE: All Values are in units of inches, unless otherwise specified.

LEGEND: A - Acculated Total
 E - Estimated
 T - Trace, unmeasurable amount of rain

Data Revised: March 2011

PRECIPITATION

DAILY RAINFALL SUMMARY

67G Monrovia-Mountain Avenue

Gage Type: Standard 8 inch diameter (DPW)

Observation Time: 800

Latitude 34-08-46

Longitude: 117-59-05

Elevation: 602 Feet

Water Year from 10/01/1996 to 09/30/1997

Day	Oct	Nov	Dec	Jan	Feb	Mar	Apr	May	Jun	Jul	Aug	Sep
1				0.02								
2				0.19								
3				1.03								
4				0.02								
5				0.25								
6			0.27						0.08			
7												
8												
9												
10			1.65									
11			1.49		0.18							
12			0.84	0.26					0.02			
13			0.01	1.36					0.10			
14				0.16					0.01			
15				0.04								0.15
16				0.89								
17												
18												
19												
20												
21		0.58		0.18								
22		2.61	0.78	0.23								
23		0.01	0.05	1.14								
24				0.08								
25				0.06								0.23
26				1.61								0.59
27			0.06	0.75	0.13							
28			0.72									
29			0.04									
30	0.62		0.02									
31	0.78											
Totals	1.40	3.20	5.93	8.27	0.31	0.00	0.00	0.00	0.21	0.00	0.00	0.97
												Water Year Total: 20.29

NOTE: All Values are in units of inches, unless otherwise specified.

LEGEND: A - Acculated Total
 E - Estimated
 T - Trace, unmeasurable amount of rain

Data Revised: March 2011

PRECIPITATION

DAILY RAINFALL SUMMARY

68C Sawpit Dam

Gage Type: Standard 8 inch diameter (DPW)

Observation Time: 800

Latitude 34-10-30

Longitude: 117-59-07

Elevation: 1375 Feet

Water Year from 10/01/1996 to 09/30/1997

Day	Oct	Nov	Dec	Jan	Feb	Mar	Apr	May	Jun	Jul	Aug	Sep
1				0.02								
2				0.22								
3				1.31								
4				0.24								
5				0.32			0.06					
6			0.25	T					0.63			
7			T									
8												
9												
10			2.16									
11			2.17		0.22							
12			0.96	0.12	T				0.12T			
13			0.02	0.74					0.39			
14				0.29								
15				0.08					T			0.20
16				1.02								
17												
18					0.02							
19												
20												
21		0.65		0.59								
22		3.32	0.46	0.33								
23		0.05	1.16	1.36		0.06						
24				0.40		0.02						
25				0.07								0.25
26				1.95								0.60
27			0.03	0.83	0.36							0.02
28			0.95		0.08							
29			0.23									
30	0.92											
31	0.93					0.01						
Totals	1.85	4.02	8.39	9.89	0.68	0.09	0.06	0.00	1.14	0.00	0.00	1.07
												Water Year Total: 27.19

NOTE: All Values are in units of inches, unless otherwise specified.

LEGEND: A - Acculated Total
 E - Estimated
 T - Trace, unmeasurable amount of rain

Data Revised: March 2011

PRECIPITATION

DAILY RAINFALL SUMMARY

82F **Table Mountain**

Gage Type: Standard 8 inch diameter (DPW)

Observation Time: 800

Latitude 34-22-56

Longitude: 117-40-39

Elevation: 7420 Feet

Water Year from 10/01/1996 to 09/30/1997

Day	Oct	Nov	Dec	Jan	Feb	Mar	Apr	May	Jun	Jul	Aug	Sep
1												
2				0.08			0.20					
3												
4												
5				0.70								
6												
7												
8												
9			A									
10			1.10A		0.15							
11												
12				A								
13				A								
14				1.60A								0.10E
15				A								0.22E
16				1.70A								
17					0.19							
18												
19												
20				0.52								
21		1.31E	1.02									
22		0.82E		0.48								
23												
24												
25				0.12								1.28E
26			2.03									0.07E
27	0.20				0.14							
28												
29	1.00											
30												
31												
Totals	1.20	2.13	4.15	5.20	0.48	0.00	0.20	0.00	0.00	0.00	0.00	1.67
												Water Year Total: 15.03

NOTE: All Values are in units of inches, unless otherwise specified.

LEGEND: A - Acculated Total
 E - Estimated
 T - Trace, unmeasurable amount of rain

Data Revised: March 2011

PRECIPITATION

DAILY RAINFALL SUMMARY

83B Big Pines Recreation Park

Gage Type: Daily Automatic (DPW)

Observation Time: 2400

Latitude 34-22-44

Longitude: 117-41-20

Elevation: 6860 Feet

Water Year from 10/01/1996 to 09/30/1997

Day	Oct	Nov	Dec	Jan	Feb	Mar	Apr	May	Jun	Jul	Aug	Sep
1				0.04								
2				0.44								
3				0.12								
4												
5				0.08								
6												
7				0.24								
8				0.04								
9			1.64									
10			1.36		0.17E							
11			0.36									
12								0.04				
13												
14				0.12								0.32
15												0.32
16				0.04								
17				0.16	0.22E							
18				0.36								
19				0.40								
20												
21		1.92		0.24								
22		0.64	0.20	0.20						0.08		
23		0.04	0.20	0.48								
24			0.16									
25				1.28								1.04
26				0.64								0.04
27			0.48		0.16E							
28			0.04									
29												
30	1.40E											
31												
Totals	1.40	2.60	4.44	4.88	0.55	0.00	0.00	0.04	0.00	0.08	0.00	1.72
												Water Year Total: 15.71

NOTE: All Values are in units of inches, unless otherwise specified.

LEGEND: A - Acculated Total
 E - Estimated
 T - Trace, unmeasurable amount of rain

Data Revised: March 2011

PRECIPITATION

DAILY RAINFALL SUMMARY

89B San Dimas Dam

Gage Type: Standard 8 inch diameter (DPW)

Observation Time: 800

Latitude 34-09-10

Longitude: 117-46-17

Elevation: 1350 Feet

Water Year from 10/01/1996 to 09/30/1997

Day	Oct	Nov	Dec	Jan	Feb	Mar	Apr	May	Jun	Jul	Aug	Sep
1				0.01								
2				0.15								
3				0.94								
4				0.15								
5				0.20			0.02					
6			0.14						0.06			
7			0.01									
8												
9							0.02					
10			1.89				0.06					
11			1.58		0.03						T	
12			0.58	0.13					T			
13				1.83					0.36			
14				0.27					0.06			
15				0.08								0.37
16				1.05								T
17								T				
18					0.07			0.01				
19	T											
20				0.01								
21		0.45		0.71								
22		3.49	0.28	0.24						0.01		
23		0.16	1.30	0.91		0.02				0.02		
24				0.21								
25				0.06								0.15
26				2.24								0.59
27			0.03	0.71	0.16							0.01
28			1.01		0.11							
29			0.05									
30	0.40											
31	0.95					0.02						
Totals	1.35	4.10	6.87	9.90	0.37	0.04	0.10	0.01	0.48	0.03	0.00	1.12
												Water Year Total: 24.37

NOTE: All Values are in units of inches, unless otherwise specified.

LEGEND: A - Acculated Total
 E - Estimated
 T - Trace, unmeasurable amount of rain

Data Revised: March 2011

PRECIPITATION

DAILY RAINFALL SUMMARY

93C Claremont-Police Station

Gage Type: 8.81 inch diameter (DPW)

Observation Time: 800

Latitude 34-05-45

Longitude: 117-43-18

Elevation: 1170 Feet

Water Year from 10/01/1996 to 09/30/1997

Day	Oct	Nov	Dec	Jan	Feb	Mar	Apr	May	Jun	Jul	Aug	Sep
1												
2				0.33								
3				0.86								
4												
5			0.17									
6			0.07									
7												
8												
9			1.51									
10			0.54		0.06							
11			0.76									
12			0.11	1.77								
13				0.23					0.09			
14												
15				0.70								0.10E
16												
17					0.04							
18												
19												
20				0.20								
21		2.54	0.99	0.30								
22		0.52		0.35								
23				0.31								
24												
25				1.00								0.61E
26				1.50								
27			0.38	0.13								
28			0.24		0.22							
29												
30	1.16											
31												
Totals	1.16	3.06	4.77	7.68	0.32	0.00	0.00	0.00	0.09	0.00	0.00	0.71
												Water Year Total: 17.79

NOTE: All Values are in units of inches, unless otherwise specified.

LEGEND: A - Acculated Total
 E - Estimated
 T - Trace, unmeasurable amount of rain

Data Revised: March 2011

PRECIPITATION

DAILY RAINFALL SUMMARY

95 San Dimas-Fire Warden

Gage Type: Standard 8 inch diameter (DPW)

Observation Time: 800

Latitude 34-06-26

Longitude: 117-48-19

Elevation: 955 Feet

Water Year from 10/01/1996 to 09/30/1997

Day	Oct	Nov	Dec	Jan	Feb	Mar	Apr	May	Jun	Jul	Aug	Sep
1				0.01E								
2				0.25E								
3				0.99E								
4												
5				0.16								
6			0.17E									
7												
8												
9			0.70E									
10			0.99E									
11			0.98E		0.88							
12			0.19E	1.01E								
13			T	0.63E								
14				0.24								
15				0.88E								0.15
16												
17												
18												
19												
20				0.35E								
21		1.88E										
22		1.48E	0.71E	0.40E								
23		0.04E		0.80								
24				0.14E								
25				0.38E								
26				1.28E								0.60
27			0.17E									
28			0.39E									
29												
30												
31	1.20											
Totals	1.20	3.40	4.30	7.52	0.88	0.00	0.00	0.00	0.00	0.00	0.00	0.75
Water Year Total:												18.05

NOTE: All Values are in units of inches, unless otherwise specified.

LEGEND: A - Acculated Total
 E - Estimated
 T - Trace, unmeasurable amount of rain

Data Revised: March 2011

PRECIPITATION

DAILY RAINFALL SUMMARY

96C **Puddingstone Dam**

Gage Type: Daily Automatic (DPW)

Observation Time: 2400

Latitude 34-05-31

Longitude: 117-48-24

Elevation: 1030 Feet

Water Year from 10/01/1996 to 09/30/1997

Day	Oct	Nov	Dec	Jan	Feb	Mar	Apr	May	Jun	Jul	Aug	Sep
1												
2				0.20								
3				0.93								
4				T								
5				0.06								
6			0.23									
7												
8												
9												
10			1.60									
11			1.13		0.16							
12			0.40	0.04								
13			0.02	1.57					0.07			
14				0.24								
15				0.02								0.26
16				0.75								
17												
18								T				
19												
20				0.03								
21		0.43		0.27								
22		2.60	0.26	0.36								
23		0.05	0.55	0.76								
24				T								
25				0.02								0.15
26				1.89								0.50
27			0.05	0.88	0.09							
28			0.61		0.10							
29												
30	1.19											
31												
Totals	1.19	3.08	4.85	8.02	0.35	0.00	0.00	0.00	0.07	0.00	0.00	0.91
												Water Year Total: 18.47

NOTE: All Values are in units of inches, unless otherwise specified.

LEGEND: A - Acculated Total
 E - Estimated
 T - Trace, unmeasurable amount of rain

Data Revised: March 2011

PRECIPITATION

DAILY RAINFALL SUMMARY

102D Walnut-N.I. Industries

Gage Type: Standard 8 inch diameter (DPW)

Observation Time: 800

Latitude 34-00-11

Longitude: 117-52-10

Elevation: 500 Feet

Water Year from 10/01/1996 to 09/30/1997

Day	Oct	Nov	Dec	Jan	Feb	Mar	Apr	May	Jun	Jul	Aug	Sep
1												
2				0.20								
3				0.39								
4												
5												
6			0.26	0.06								
7												
8												
9												
10			1.91									
11			0.75		0.22							
12			0.59	T								
13				1.30								
14				0.27								
15				0.12								
16				0.67								
17												
18												
19												
20												
21		0.16		0.05								
22		4.32		0.10								
23				0.75								
24				0.20								
25												T
26				0.40								0.71
27			0.04	1.60	T							
28			1.13		T							
29			0.01									
30	0.55											
31	1.29											
Totals	1.84	4.48	4.69	6.11	0.22	0.00	0.00	0.00	0.00	0.00	0.00	0.71
												Water Year Total: 18.05

NOTE: All Values are in units of inches, unless otherwise specified.

LEGEND: A - Acculated Total
 E - Estimated
 T - Trace, unmeasurable amount of rain

Data Revised: March 2011

PRECIPITATION

DAILY RAINFALL SUMMARY

106F Whittier City Yard

Gage Type: Standard 8 inch diameter (DPW)

Observation Time: 800

Latitude 33-58-57

Longitude: 118-02-50

Elevation: 300 Feet

Water Year from 10/01/1996 to 09/30/1997

Day	Oct	Nov	Dec	Jan	Feb	Mar	Apr	May	Jun	Jul	Aug	Sep
1				0.01								
2				0.01								
3				0.02								
4												
5			0.20									
6												
7												
8												
9			0.90									
10			0.54									
11			0.96		0.50							
12				1.46								
13				0.10								
14												
15												
16				0.81								
17												
18												
19												
20												
21		1.32										
22		1.00	0.03	0.11								
23				0.80								
24												
25				0.05E								0.14
26				1.09E								
27			0.03	0.39E								
28			1.13									
29												
30	0.82E											
31	0.41E											
Totals	1.23	2.32	3.79	4.85	0.50	0.00	0.00	0.00	0.00	0.00	0.00	0.14
												Water Year Total: 12.83

NOTE: All Values are in units of inches, unless otherwise specified.

LEGEND: A - Acculated Total
 E - Estimated
 T - Trace, unmeasurable amount of rain

Data Revised: March 2011

PRECIPITATION

DAILY RAINFALL SUMMARY

107D Downey-Fire Department

Gage Type: Standard 8 inch diameter (DPW)

Observation Time: 800

Latitude 33-55-48

Longitude: 118-08-47

Elevation: 110 Feet

Water Year from 10/01/1996 to 09/30/1997

Day	Oct	Nov	Dec	Jan	Feb	Mar	Apr	May	Jun	Jul	Aug	Sep
1												
2												
3												
4												
5				0.64								
6												
7												
8												
9			1.70									
10			0.20									
11			1.33									
12			0.17									
13				1.16								
14				0.10								
15												
16												
17												
18												
19												
20												
21		1.30		0.04								
22		0.96		1.20								
23												
24												
25												0.44
26				1.25								
27			0.44	0.86								
28												
29												
30	1.36											
31			0.80									
Totals	1.36	2.26	4.64	5.25	0.00	0.00	0.00	0.00	0.00	0.00	0.00	0.44
Water Year Total:												13.95

NOTE: All Values are in units of inches, unless otherwise specified.

LEGEND: A - Acculated Total
 E - Estimated
 T - Trace, unmeasurable amount of rain

Data Revised: March 2011

PRECIPITATION

DAILY RAINFALL SUMMARY

108D El Monte Fire Station

Gage Type: Standard 8 inch diameter (DPW)

Observation Time: 800

Latitude 34-04-30

Longitude: 118-02-30

Elevation: 275 Feet

Water Year from 10/01/1996 to 09/30/1997

Day	Oct	Nov	Dec	Jan	Feb	Mar	Apr	May	Jun	Jul	Aug	Sep
1				T								
2				0.16								
3				0.42								
4												
5				0.03								
6			0.20									
7												
8												
9												
10			1.57									
11			1.35		0.15							
12			0.65									
13				1.14								
14				0.15					0.03			
15				T								0.17
16				1.62								
17												
18												
19												
20												
21		0.32		T								
22		1.66	0.12	0.21								
23			0.25	0.86								
24												
25				0.03								
26				1.45								0.89
27			0.08	0.21								
28			1.07									
29												
30	0.98		0.02									
31	0.55											
Totals	1.53	1.98	5.31	6.28	0.15	0.00	0.00	0.00	0.03	0.00	0.00	1.06
												Water Year Total: 16.34

NOTE: All Values are in units of inches, unless otherwise specified.

LEGEND: A - Acculated Total
 E - Estimated
 T - Trace, unmeasurable amount of rain

Data Revised: March 2011

PRECIPITATION

DAILY RAINFALL SUMMARY

109D West Arcadia

Gage Type: Standard 8 inch diameter (DPW)

Observation Time: 800

Latitude 34-07-42

Longitude: 118-04-22

Elevation: 547 Feet

Water Year from 10/01/1996 to 09/30/1997

Day	Oct	Nov	Dec	Jan	Feb	Mar	Apr	May	Jun	Jul	Aug	Sep
1												
2				0.31								
3				0.50								
4												
5			T	0.06								
6			0.17									
7												
8												
9			1.29									
10			1.00		T							
11			1.80		0.14							
12				0.70								
13				0.65					0.07			
14				0.17								
15				0.91								0.09
16												
17					T							
18												
19	T											
20				0.07								
21		1.60		0.09								
22		0.91	0.72	0.25								
23				0.85				T				
24												
25				0.48								
26				1.31								
27			0.39	0.23	0.18							
28			0.30									
29												
30	1.14											
31												
Totals	1.14	2.51	5.67	6.58	0.32	0.00	0.00	0.00	0.07	0.00	0.00	0.09
												Water Year Total: 16.38

NOTE: All Values are in units of inches, unless otherwise specified.

LEGEND: A - Acculated Total
 E - Estimated
 T - Trace, unmeasurable amount of rain

Data Revised: March 2011

PRECIPITATION

DAILY RAINFALL SUMMARY

110B Alhambra

Gage Type: Standard 8 inch diameter (DPW)

Observation Time: 800

Latitude 34-05-40

Longitude: 118-07-41

Elevation: 533 Feet

Water Year from 10/01/1996 to 09/30/1997

Day	Oct	Nov	Dec	Jan	Feb	Mar	Apr	May	Jun	Jul	Aug	Sep
1												
2				0.32								
3				0.48								
4												
5				0.04								
6			0.19									
7												
8												
9			0.51									
10			1.64									
11			2.10		0.13							
12			0.25	0.98								
13				0.64					0.10			
14				0.12								
15				1.12								0.05
16												
17												
18												
19												
20				0.12								
21		1.32										
22		0.75	0.74	0.32								
23				0.98								
24												
25				0.48								0.67
26				1.01								
27			0.45	0.37	0.04							
28			0.45									
29												
30	1.24											
31												
Totals	1.24	2.07	6.33	6.98	0.17	0.00	0.00	0.00	0.10	0.00	0.00	0.72
												Water Year Total: 17.61

NOTE: All Values are in units of inches, unless otherwise specified.

LEGEND: A - Acculated Total
 E - Estimated
 T - Trace, unmeasurable amount of rain

Data Revised: March 2011

PRECIPITATION

DAILY RAINFALL SUMMARY

120 Vincent Patrol Station

Gage Type: Standard 8 inch diameter (DPW)

Observation Time: 800

Latitude 34-29-17

Longitude: 118-08-27

Elevation: 3135 Feet

Water Year from 10/01/1996 to 09/30/1997

Day	Oct	Nov	Dec	Jan	Feb	Mar	Apr	May	Jun	Jul	Aug	Sep
1												
2				0.04								
3				0.07								
4												
5				0.03								
6												
7												
8												
9			0.08									
10			0.80									
11			0.07		0.17							
12			0.10	0.29								
13				0.15								
14				0.18								
15				0.29								
16				0.15								
17					0.09							
18												0.01
19												
20				0.06								
21		0.58		0.02								
22		0.27	0.54	0.02								
23		0.03	0.04	0.02								
24												
25				0.04								0.98
26				0.33								0.22
27				0.45								
28	0.02		0.04									
29												
30	0.81											
31			0.02									
Totals	0.83	0.88	1.69	2.14	0.26	0.00	0.00	0.00	0.00	0.00	0.00	1.21
												Water Year Total: 7.01

NOTE: All Values are in units of inches, unless otherwise specified.

LEGEND: A - Acculated Total
 E - Estimated
 T - Trace, unmeasurable amount of rain

Data Revised: March 2011

PRECIPITATION

DAILY RAINFALL SUMMARY

125B San Francisquito Canyon Ph#1 - Saugus

Gage Type: Standard 8 inch diameter

Observation Time: 800

Latitude 34-35-25

Longitude: 118-27-15

Elevation: 2105 Feet

Water Year from 10/01/1996 to 09/30/1997

Day	Oct	Nov	Dec	Jan	Feb	Mar	Apr	May	Jun	Jul	Aug	Sep
1				0.04								
2				0.04								0.10
3				1.06			0.03					
4				T								
5				0.21								
6			0.60									
7			T									
8												
9			0.42									
10			1.27									
11			0.62		0.01							
12			0.40	0.43								
13			0.01	0.45								
14				T								
15				0.60								
16				0.01								
17		T			0.01							
18												0.02
19												
20				0.48								
21		1.61		0.04								
22		1.10	1.05	0.33								
23		0.02		0.74		T						
24				0.05								
25				0.60								0.42
26				1.38								0.05
27			0.50	0.10	0.01							
28			0.10		T							
29												
30	0.79		0.08									
31	0.01		0.01									
Totals	0.80	2.73	5.06	6.56	0.03	0.00	0.03	0.00	0.00	0.00	0.00	0.59
												Water Year Total: 15.80

NOTE: All Values are in units of inches, unless otherwise specified.

LEGEND: A - Acculated Total
 E - Estimated
 T - Trace, unmeasurable amount of rain

Data Revised: March 2011

PRECIPITATION

DAILY RAINFALL SUMMARY

128B Elizabeth Lake

Gage Type: Daily Automatic (DPW)

Observation Time: 2400

Latitude 34-36-28

Longitude: 118-33-40

Elevation: 2075 Feet

Water Year from 10/01/1996 to 09/30/1997

Day	Oct	Nov	Dec	Jan	Feb	Mar	Apr	May	Jun	Jul	Aug	Sep
1				0.16								
2				0.74								0.10E
3				0.44								
4												
5			0.12	0.23								
6			0.12									
7												
8												
9			1.89									
10			1.77		0.19							
11			1.53									
12			0.04	1.46								
13				0.32								
14				0.08								
15				1.03								
16												
17					0.04							
18												
19												
20				0.59								
21		1.17E		0.19								
22		0.76E	1.14	0.59						0.01E		
23				0.83		0.04						
24												
25				1.26								0.50E
26	0.10			0.87								0.03E
27			0.79		0.32							
28			0.24									
29	0.60											
30	3.00											
31												
Totals	3.70	1.93	7.64	8.79	0.55	0.04	0.00	0.00	0.00	0.01	0.00	0.63
										Water Year Total:		23.29

NOTE: All Values are in units of inches, unless otherwise specified.

LEGEND: A - Acculated Total
 E - Estimated
 T - Trace, unmeasurable amount of rain

Data Revised: March 2011

PRECIPITATION

DAILY RAINFALL SUMMARY

134C Puddingstone Diversion

Gage Type: 8.81 inch diameter (DPW)

Observation Time: 800

Latitude 34-07-52

Longitude: 117-46-55

Elevation: 1160 Feet

Water Year from 10/01/1996 to 09/30/1997

Day	Oct	Nov	Dec	Jan	Feb	Mar	Apr	May	Jun	Jul	Aug	Sep
1				T								
2				0.18								
3				1.03								
4				0.06								
5				0.30								
6			0.14						0.13			
7			0.02									
8												
9												
10			1.25									
11			1.42		0.06							
12			0.45	0.07								
13				1.67					0.17			
14				0.27					0.07			
15				0.04								0.25
16				0.82								
17												
18					0.06							
19												
20				0.01								
21		0.32		0.40								
22		1.90	0.19	0.28								
23		0.21	0.70	0.82		0.01						
24				0.18								
25				0.05								0.11
26				1.76								0.55
27			0.04	1.02	0.10							
28			0.64		0.20							
29			0.07									
30	0.12											
31	0.93					0.01						
Totals	1.05	2.43	4.92	8.96	0.42	0.02	0.00	0.00	0.37	0.00	0.00	0.91
												Water Year Total: 19.08

NOTE: All Values are in units of inches, unless otherwise specified.

LEGEND: A - Acculated Total
 E - Estimated
 T - Trace, unmeasurable amount of rain

Data Revised: March 2011

PRECIPITATION

DAILY RAINFALL SUMMARY

144 Sierra Madre Dam

Gage Type: Standard 8 inch diameter (DPW)

Observation Time: 800

Latitude 34-10-34

Longitude: 118-02-32

Elevation: 1100 Feet

Water Year from 10/01/1996 to 09/30/1997

Day	Oct	Nov	Dec	Jan	Feb	Mar	Apr	May	Jun	Jul	Aug	Sep
1				0.04								
2				0.25								
3				1.08								
4				0.04								
5				0.38								
6			0.27									
7												
8												
9												
10			2.20									
11			2.83		0.21							
12			1.09	0.10								
13			0.02	1.83					0.28			
14				0.19					0.18			
15				0.05								0.10
16				1.20								
17												
18												
19												
20												
21		0.65		0.64								
22		3.06	0.72	0.25								
23		0.07	0.66	1.36		0.02						
24				0.11								
25				0.05								0.24
26				1.56								0.61
27			0.05	0.89	0.16							
28			0.79									
29			0.20									
30	0.82		0.19									
31	0.80											
Totals	1.62	3.78	9.02	10.02	0.37	0.02	0.00	0.00	0.46	0.00	0.00	0.95
												Water Year Total: 26.24

NOTE: All Values are in units of inches, unless otherwise specified.

LEGEND: A - Acculated Total
 E - Estimated
 T - Trace, unmeasurable amount of rain

Data Revised: March 2011

PRECIPITATION

DAILY RAINFALL SUMMARY

156B La Mirada-Standard Oil Company

Gage Type: Daily Automatic (DPW)

Observation Time: 2400

Latitude 33-52-59

Longitude: 118-01-00

Elevation: 75 Feet

Water Year from 10/01/1996 to 09/30/1997

Day	Oct	Nov	Dec	Jan	Feb	Mar	Apr	May	Jun	Jul	Aug	Sep
1				0.12								
2				0.16								
3				0.16								
4												
5			0.12	0.08								
6			0.04									
7												
8												
9			1.30									
10			0.35		0.04							
11			1.23		0.04							
12			0.08	0.71								
13				0.23								
14												
15				0.55								
16												
17												
18												
19												
20												
21		2.52		0.08								
22		0.23	0.07	0.12								
23				0.67								
24												
25				0.86								0.35
26				0.91								
27			1.03									
28			0.19									
29												
30	1.18											
31	0.04											
Totals	1.22	2.75	4.41	4.65	0.08	0.00	0.00	0.00	0.00	0.00	0.00	0.35
												Water Year Total: 13.46

NOTE: All Values are in units of inches, unless otherwise specified.

LEGEND: A - Acculated Total
 E - Estimated
 T - Trace, unmeasurable amount of rain

Data Revised: March 2011

PRECIPITATION

DAILY RAINFALL SUMMARY

167C Arcadia Pumping Plant #1

Gage Type: Standard 8 inch diameter (DPW)

Observation Time: 800

Latitude 34-09-31

Longitude: 118-02-02

Elevation: 611 Feet

Water Year from 10/01/1996 to 09/30/1997

Day	Oct	Nov	Dec	Jan	Feb	Mar	Apr	May	Jun	Jul	Aug	Sep
1												
2				0.33								
3				0.78								
4												
5				0.17								
6			0.25									
7												
8												
9			1.10									
10			1.40									
11			2.55		0.15							
12			0.22	0.92								
13				0.65					0.45			
14												
15				1.21								0.13E
16												
17												
18												
19												
20				0.52								
21		1.90										
22		1.20	0.90	0.42								
23		0.02		0.93								
24												
25				0.58								0.44E
26				1.25								0.46E
27			0.40	0.43	0.20							
28			0.40									
29												
30	1.45											
31										E	E	
Totals	1.45	3.12	7.22	8.19	0.35	0.00	0.00	0.00	0.45	0.00	0.00	1.03
												Water Year Total: 21.81

NOTE: All Values are in units of inches, unless otherwise specified.

LEGEND: A - Acculated Total
 E - Estimated
 T - Trace, unmeasurable amount of rain

Data Revised: March 2011

PRECIPITATION

DAILY RAINFALL SUMMARY

169 Sierra Madre Pumping Plant

Gage Type: Standard 8 inch diameter

Observation Time: 800

Latitude 34-09-47

Longitude: 118-02-21

Elevation: 700 Feet

Water Year from 10/01/1996 to 09/30/1997

Day	Oct	Nov	Dec	Jan	Feb	Mar	Apr	May	Jun	Jul	Aug	Sep
1				0.02								
2				0.20								
3				0.97								
4				0.04								
5				0.36								
6			0.26									
7												
8												
9												
10			2.24									
11			2.53		0.16							
12			0.94	0.06								
13			0.02	1.61					0.28			
14				0.27					0.18			
15				0.05								0.08
16				1.06								
17												
18												
19												
20												
21		0.65		0.54								
22		2.76	0.65	0.24								
23		0.10	0.41	1.11		0.02						
24				0.07								
25				0.05								0.26
26				1.51								0.64
27			0.05	0.60	0.23							
28			0.70									
29			0.15									
30	0.95		0.10									
31	0.72											
Totals	1.67	3.51	8.05	8.76	0.39	0.02	0.00	0.00	0.46	0.00	0.00	0.98
												Water Year Total: 23.84

NOTE: All Values are in units of inches, unless otherwise specified.

LEGEND: A - Acculated Total
 E - Estimated
 T - Trace, unmeasurable amount of rain

Data Revised: March 2011

PRECIPITATION

DAILY RAINFALL SUMMARY

170F Potrero Heights

Gage Type: Standard 8 inch diameter (DPW)

Observation Time: 800

Latitude 34-02-32

Longitude: 118-04-44

Elevation: 285 Feet

Water Year from 10/01/1996 to 09/30/1997

Day	Oct	Nov	Dec	Jan	Feb	Mar	Apr	May	Jun	Jul	Aug	Sep
1												
2				0.32								
3				0.46								
4												
5				0.05								
6			0.24									
7												
8												
9			1.10									
10			0.46		0.05							
11			1.70		0.12							
12			0.22	0.71								
13				0.51					0.05			
14				0.18								
15				1.40								0.26
16												
17												
18												
19												
20				0.06								
21		1.34		0.12								
22		0.83	0.45	0.20								
23				1.15								
24				0.01								
25				0.40								0.85
26				1.82								
27			0.51	0.18								
28												
29												
30	1.48											
31			0.02									
Totals	1.48	2.17	4.70	7.57	0.17	0.00	0.00	0.00	0.05	0.00	0.00	1.11
												Water Year Total: 17.25

NOTE: All Values are in units of inches, unless otherwise specified.

LEGEND: A - Acculated Total
 E - Estimated
 T - Trace, unmeasurable amount of rain

Data Revised: March 2011

PRECIPITATION

DAILY RAINFALL SUMMARY

172B Duarte

Gage Type: Standard 8 inch diameter (DPW)

Observation Time: 800

Latitude 34-08-26

Longitude: 117-58-02

Elevation: 548 Feet

Water Year from 10/01/1996 to 09/30/1997

Day	Oct	Nov	Dec	Jan	Feb	Mar	Apr	May	Jun	Jul	Aug	Sep
1												
2												
3				1.12								
4												
5			0.18					0.02				
6												
7												
8												
9												
10			1.06		0.20							
11												
12				A				0.07				
13				1.09A								
14				0.17								
15				1.00								0.10
16												
17												
18												
19												
20				0.17								
21		2.00										
22		1.25	0.92									
23												
24												
25				A								0.24
26				A								0.61
27			0.80	3.05A	0.07							
28												
29												
30	1.37											
31												
Totals	1.37	3.25	2.96	6.60	0.27	0.00	0.00	0.00	0.09	0.00	0.00	0.95
												Water Year Total: 15.49

NOTE: All Values are in units of inches, unless otherwise specified.

LEGEND: A - Acculated Total
 E - Estimated
 T - Trace, unmeasurable amount of rain

Data Revised: March 2011

PRECIPITATION

DAILY RAINFALL SUMMARY

174B **Glendora**

Gage Type: Standard 8 inch diameter (DPW)

Observation Time: 800

Latitude 34-07-43

Longitude: 117-49-08

Elevation: 930 Feet

Water Year from 10/01/1996 to 09/30/1997

Day	Oct	Nov	Dec	Jan	Feb	Mar	Apr	May	Jun	Jul	Aug	Sep
1				0.02								
2				0.29								
3												
4												
5												
6			0.21									
7									0.08			
8												
9			1.12									
10			0.66									
11			1.53									
12			0.20	0.21								
13				2.02					0.18			
14												
15				1.12								
16												
17												
18												
19												
20				0.32								
21		2.00								0.30		
22		1.51	1.00	0.45								
23		0.04		0.80								
24				0.10								
25				0.88								0.93
26				1.64								
27			0.40	0.53	0.20							
28			0.40									
29												
30	1.26											
31												
Totals	1.26	3.55	5.52	8.38	0.20	0.00	0.00	0.00	0.26	0.30	0.00	0.93
												Water Year Total: 20.40

NOTE: All Values are in units of inches, unless otherwise specified.

LEGEND: A - Acculated Total
 E - Estimated
 T - Trace, unmeasurable amount of rain

Data Revised: March 2011

PRECIPITATION

DAILY RAINFALL SUMMARY

175B La Canada Irrigation District

Gage Type: Standard 8 inch diameter (DPW)

Observation Time: 800

Latitude 34-13-39

Longitude: 118-12-40

Elevation: 2020 Feet

Water Year from 10/01/1996 to 09/30/1997

Day	Oct	Nov	Dec	Jan	Feb	Mar	Apr	May	Jun	Jul	Aug	Sep
1				0.02								
2				0.22								
3				0.95								
4												
5				0.29								
6			0.23									
7												
8												
9												
10			2.39									
11			2.12		0.70							
12			0.55	0.23								
13				1.35					0.26			
14				0.11					0.02			
15				0.33								
16				0.78								
17												
18												
19	0.01											
20												
21		0.88		0.83								
22		2.41	0.43	0.40								
23		0.03	1.05	1.05								
24				0.10						T		
25				0.14								0.20
26				1.78								0.45
27			0.13	0.28	0.26							
28			0.75		0.05							
29			0.07									
30	1.37		T									
31	0.46											
Totals	1.84	3.32	7.72	8.86	1.01	0.00	0.00	0.00	0.28	0.00	0.00	0.65
												Water Year Total: 23.68

NOTE: All Values are in units of inches, unless otherwise specified.

LEGEND: A - Acculated Total
 E - Estimated
 T - Trace, unmeasurable amount of rain

Data Revised: March 2011

PRECIPITATION

DAILY RAINFALL SUMMARY

176 Altadena-Rubio Canyon

Gage Type: Standard 8 inch diameter

Observation Time: 800

Latitude 34-10-55

Longitude: 118-08-15

Elevation: 1125 Feet

Water Year from 10/01/1996 to 09/30/1997

Day	Oct	Nov	Dec	Jan	Feb	Mar	Apr	May	Jun	Jul	Aug	Sep
1				0.76								
2			0.20	0.20								
3												
4												
5				0.10								
6												
7												
8												
9												
10			1.63									
11			2.00		0.14							
12			0.48						0.06			
13				1.83								
14				0.15								
15				0.08								
16				1.03								
17					0.09							
18												
19												
20												
21		0.56		0.76								
22		1.97		0.27								
23		0.04	0.86	0.94								
24				0.08								
25												0.22
26												0.50
27					0.06							
28				1.83								
29												
30	0.66		0.50									
31	0.42											
Totals	1.08	2.57	5.67	8.03	0.29	0.00	0.00	0.00	0.06	0.00	0.00	0.72
												Water Year Total: 18.42

NOTE: All Values are in units of inches, unless otherwise specified.

LEGEND: A - Acculated Total
 E - Estimated
 T - Trace, unmeasurable amount of rain

Data Revised: March 2011

PRECIPITATION

DAILY RAINFALL SUMMARY

193C Covina-Nigg

Gage Type: Standard 8 inch diameter (DPW)

Observation Time: 800

Latitude 34-04-55

Longitude: 117-52-25

Elevation: 575 Feet

Water Year from 10/01/1996 to 09/30/1997

Day	Oct	Nov	Dec	Jan	Feb	Mar	Apr	May	Jun	Jul	Aug	Sep
1				0.24								
2				0.39								
3				0.43								
4												
5			0.21	0.08								
6												
7												
8												
9			1.59									0.27
10			0.40		0.18							
11			0.98									
12			0.24	0.93								
13				0.52					0.06			
14				0.23								
15				0.93								
16												
17												
18												
19												
20				0.12								
21		1.90										
22		1.10	0.65	0.32								
23				0.75								
24												
25				1.90								0.84
26				0.76								
27			0.63		0.05							
28												
29												
30	1.22											
31												
Totals	1.22	3.00	4.70	7.60	0.23	0.00	0.00	0.00	0.06	0.00	0.00	1.11
												Water Year Total: 17.92

NOTE: All Values are in units of inches, unless otherwise specified.

LEGEND: A - Acculated Total
 E - Estimated
 T - Trace, unmeasurable amount of rain

Data Revised: March 2011

PRECIPITATION

DAILY RAINFALL SUMMARY

196C La Verne-Fire Station

Gage Type: Standard 8 inch diameter (DPW)

Observation Time: 800

Latitude 34-06-06

Longitude: 117-46-20

Elevation: 1050 Feet

Water Year from 10/01/1996 to 09/30/1997

Day	Oct	Nov	Dec	Jan	Feb	Mar	Apr	May	Jun	Jul	Aug	Sep
1												
2				0.28								
3				1.14								
4												
5				0.15								
6												
7												
8												
9			0.93									
10			1.60									
11			1.25		0.08							
12			0.14	0.97								
13				0.60								
14				0.20								
15				0.67								0.03
16												
17												
18												
19												
20				0.40								
21		1.70										
22		1.40	1.02	0.34								
23				0.61								
24				0.02								
25				0.33								0.60
26				0.31								
27			0.20	1.88	0.20							
28			0.43									
29												
30	1.20											
31												
Totals	1.20	3.10	5.57	7.90	0.28	0.00	0.00	0.00	0.00	0.00	0.00	0.63
												Water Year Total: 18.68

NOTE: All Values are in units of inches, unless otherwise specified.

LEGEND: A - Acculated Total
 E - Estimated
 T - Trace, unmeasurable amount of rain

Data Revised: March 2011

PRECIPITATION

DAILY RAINFALL SUMMARY

201D Hacienda Heights

Gage Type: Daily Automatic (DPW)

Observation Time: 2400

Latitude 33-59-40

Longitude: 117-59-28

Elevation: 875 Feet

Water Year from 10/01/1996 to 09/30/1997

Day	Oct	Nov	Dec	Jan	Feb	Mar	Apr	May	Jun	Jul	Aug	Sep
1				0.16								
2				0.51								
3				0.24								
4				0.04								
5			0.27									
6			0.08									
7												
8												
9			1.58									
10			0.59		0.15							
11			1.77									
12			0.08	1.18								
13			0.04	0.20					0.04			
14				0.15								
15				0.99								
16												
17												
18												
19												
20												
21		2.52		0.12								
22		0.48	0.63	0.19								
23		0.04		0.91								
24												
25				1.06								0.67
26				0.79								
27			1.22	0.04	0.04							
28			0.23									
29												
30	1.61											
31												
Totals	1.61	3.04	6.49	6.58	0.19	0.00	0.00	0.00	0.04	0.00	0.00	0.67
												Water Year Total: 18.62

NOTE: All Values are in units of inches, unless otherwise specified.

LEGEND: A - Acculated Total
 E - Estimated
 T - Trace, unmeasurable amount of rain

Data Revised: March 2011

PRECIPITATION

DAILY RAINFALL SUMMARY

210C Brand Park

Gage Type: Daily Automatic (DPW)

Observation Time: 2400

Latitude 34-11-18

Longitude: 118-16-20

Elevation: 1250 Feet

Water Year from 10/01/1996 to 09/30/1997

Day	Oct	Nov	Dec	Jan	Feb	Mar	Apr	May	Jun	Jul	Aug	Sep
1				0.04								
2				0.35								
3				0.12								
4												
5				0.16								
6												
7												
8												
9			1.85									
10			1.03		0.08						0.04	
11			0.35		0.04							
12			0.04	0.90								
13				0.08								
14				0.08								
15				0.99								
16												
17					0.08							
18												
19	0.08											
20				0.63								
21		1.62		0.11								
22		0.15	0.51	0.28								
23				0.31								
24												
25				0.71								0.35
26				0.28								
27			0.12									
28			0.04									
29	0.16											
30	0.90											
31			0.04									
Totals	1.14	1.77	3.98	5.04	0.20	0.00	0.00	0.00	0.00	0.00	0.04	0.35
											Water Year Total:	12.52

NOTE: All Values are in units of inches, unless otherwise specified.

LEGEND: A - Acculated Total
 E - Estimated
 T - Trace, unmeasurable amount of rain

Data Revised: March 2011

PRECIPITATION

DAILY RAINFALL SUMMARY

216C **Glendale - Jackson**

Gage Type: Standard 8 inch diameter (DPW)

Observation Time: 800

Latitude 34-09-54

Longitude: 118-15-01

Elevation: 615 Feet

Water Year from 10/01/1996 to 09/30/1997

Day	Oct	Nov	Dec	Jan	Feb	Mar	Apr	May	Jun	Jul	Aug	Sep
1												
2												0.03
3				0.66								
4												
5												
6			0.12				T					
7												
8												
9			1.82E									
10			1.27E		0.15							
11			0.55E									
12			0.03E	A								
13				A					T			
14				1.78A								
15				1.42								
16												
17					0.03			T				T
18												
19	T											
20				0.36								
21		1.56E		A						T		
22		0.44E	0.74	A						T		
23				1.33A								
24												
25	T			A								0.55
26			A	1.77A								
27			A			T						
28			0.45A									
29	A											
30	1.16A		T									
31			0.02									
Totals	1.16	2.00	5.00	7.32	0.18	0.00	0.00	0.00	0.00	0.00	0.00	0.58
												Water Year Total: 16.24

NOTE: All Values are in units of inches, unless otherwise specified.

LEGEND: A - Acculated Total
 E - Estimated
 T - Trace, unmeasurable amount of rain

Data Revised: March 2011

PRECIPITATION

DAILY RAINFALL SUMMARY

223C Big Dalton Dam

Gage Type: Standard 8 inch diameter (DPW)

Observation Time: 800

Latitude 34-10-06

Longitude: 117-48-36

Elevation: 1587 Feet

Water Year from 10/01/1996 to 09/30/1997

Day	Oct	Nov	Dec	Jan	Feb	Mar	Apr	May	Jun	Jul	Aug	Sep
1		0.02		0.02								
2				0.14								
3				1.27								
4				0.16								
5				0.19			0.08					
6			0.12						0.08			
7			T									
8							T					
9												
10			2.20									
11			1.82		0.06							
12			0.70	0.21					T			
13				2.00					0.47			
14				0.28					0.21			
15				0.10								0.29
16				1.05								
17								T				
18					0.19							
19	0.01						T					
20												
21		0.45		0.45								
22		3.80	0.58	0.24								
23		0.11	1.20	1.14		0.03				T		
24				0.38		0.03						
25				0.06								0.13
26				2.60								0.69
27			0.04	0.57	0.22							
28			1.38		0.11							
29			0.07									
30	0.55											
31	0.94					0.03						
Totals	1.50	4.38	8.11	10.86	0.58	0.09	0.08	0.00	0.76	0.00	0.00	1.11
												Water Year Total: 27.47

NOTE: All Values are in units of inches, unless otherwise specified.

LEGEND: A - Acculated Total
 E - Estimated
 T - Trace, unmeasurable amount of rain

Data Revised: March 2011

PRECIPITATION

DAILY RAINFALL SUMMARY

225 Montana Ranch-Lakewood

Gage Type: Standard 8 inch diameter (DPW)

Observation Time: 800

Latitude 33-50-35

Longitude: 118-07-09

Elevation: 47 Feet

Water Year from 10/01/1996 to 09/30/1997

Day	Oct	Nov	Dec	Jan	Feb	Mar	Apr	May	Jun	Jul	Aug	Sep
1				0.20								
2				0.45								
3				0.05								
4				0.02								
5			0.20									
6												
7												
8												
9			1.70									
10			1.35		0.10							
11			0.30									
12			T	1.30								
13				T								
14				T								
15				0.90								0.05
16												
17												
18												
19												
20				T								
21		0.20	0.10	0.32								
22		1.90	T	0.98								
23		0.30		0.15								
24				T								0.10
25				1.60								0.35
26			T	0.10								
27			0.93									
28												
29	1.10		T									
30	0.55											
31												
Totals	1.65	2.40	4.58	6.07	0.10	0.00	0.00	0.00	0.00	0.00	0.00	0.50
												Water Year Total: 15.30

NOTE: All Values are in units of inches, unless otherwise specified.

LEGEND: A - Acculated Total
 E - Estimated
 T - Trace, unmeasurable amount of rain

Data Revised: March 2011

PRECIPITATION

DAILY RAINFALL SUMMARY

227D San Gabriel-Bruington-Orton

Gage Type: Standard 8 inch diameter (DPW)

Observation Time: 800

Latitude 34-06-18

Longitude: 118-06-32

Elevation: 472 Feet

Water Year from 10/01/1996 to 09/30/1997

Day	Oct	Nov	Dec	Jan	Feb	Mar	Apr	May	Jun	Jul	Aug	Sep
1												
2				0.34								
3				0.51								
4				0.02								
5			0.01	0.01								
6			0.20									
7												
8												
9			1.85									
10			0.83		0.05							
11			0.28		0.11							
12				0.91								
13				0.72					0.05			
14				0.15								
15				1.07								0.06
16												
17												
18												
19												
20				0.06								
21		1.57										
22		0.80	0.69	0.37								
23				1.10								
24												
25				0.55								
26				1.32								
27			0.48	0.25	0.08							
28			0.38									
29												
30	1.26											
31												
Totals	1.26	2.37	4.72	7.38	0.24	0.00	0.00	0.00	0.05	0.00	0.00	0.06
												Water Year Total: 16.08

NOTE: All Values are in units of inches, unless otherwise specified.

LEGEND: A - Acculated Total
 E - Estimated
 T - Trace, unmeasurable amount of rain

Data Revised: March 2011

PRECIPITATION

DAILY RAINFALL SUMMARY

228C Beverly Hills City Hall

Gage Type: Standard 8 inch diameter (DPW)

Observation Time: 800

Latitude 34-06-00

Longitude: 118-23-40

Elevation: 245 Feet

Water Year from 10/01/1996 to 09/30/1997

Day	Oct	Nov	Dec	Jan	Feb	Mar	Apr	May	Jun	Jul	Aug	Sep
1				0.25								
2				0.42								
3												
4												
5												
6												
7												
8												
9			2.50									
10			1.40		0.11							
11			0.39									
12				1.90								
13				0.05								
14				0.36								
15				1.15								
16												
17					0.45							
18												
19												
20		0.64		0.03								
21		A	A	0.52								
22		A	0.70A	1.29								
23		1.41A		0.02								
24												
25												0.28
26			0.32	1.47								
27			0.84									
28												
29	1.47											
30	0.05											
31												
Totals	1.52	2.05	6.15	7.46	0.56	0.00	0.00	0.00	0.00	0.00	0.00	0.28
												Water Year Total: 18.02

NOTE: All Values are in units of inches, unless otherwise specified.

LEGEND: A - Acculated Total
 E - Estimated
 T - Trace, unmeasurable amount of rain

Data Revised: March 2011

PRECIPITATION

DAILY RAINFALL SUMMARY

235C Henniger Flats

Gage Type: 8.81 inch diameter (DPW)

Observation Time: 800

Latitude 34-11-38

Longitude: 118-05-17

Elevation: 2550 Feet

Water Year from 10/01/1996 to 09/30/1997

Day	Oct	Nov	Dec	Jan	Feb	Mar	Apr	May	Jun	Jul	Aug	Sep
1				0.04								
2				0.43								
3				0.77								
4												
5			0.02	0.23			0.05					
6												
7												
8												
9			1.35									
10			1.52		0.16						T	
11			2.26		0.22							
12				1.00					0.12			
13				0.85					0.69			
14				0.19					0.05			
15				1.07					0.02			0.04E
16												
17					0.09							
18												
19	0.03											
20				0.78								
21		1.79		0.15								
22		1.45	1.39	0.42						0.01		
23				1.16								
24												
25				1.45								0.28E
26				0.43								0.58E
27					0.25							
28												
29												
30	1.25					0.02						
31	0.02		0.03			0.07						
Totals	1.30	3.24	6.57	8.97	0.72	0.09	0.05	0.00	0.88	0.01	0.00	0.90
												Water Year Total: 22.73

NOTE: All Values are in units of inches, unless otherwise specified.

LEGEND: A - Acculated Total
 E - Estimated
 T - Trace, unmeasurable amount of rain

Data Revised: March 2011

PRECIPITATION

DAILY RAINFALL SUMMARY

237C Stone Canyon Reservoir

Gage Type: Standard 8 inch diameter

Observation Time: 800

Latitude 34-06-21

Longitude: 118-27-13

Elevation: 865 Feet

Water Year from 10/01/1996 to 09/30/1997

Day	Oct	Nov	Dec	Jan	Feb	Mar	Apr	May	Jun	Jul	Aug	Sep
1												
2				0.29								
3				0.34								
4				T								
5				0.02								
6			0.24									
7			T									
8												
9												
10			3.15									
11			2.85		0.11							
12			0.30	0.05								
13				1.45								
14				0.11								
15				0.53								
16				0.93								
17												
18												
19												
20				0.06								
21		0.53		T								
22		1.34	1.04	0.60								
23		0.13	0.34									
24				0.01								
25				0.06								0.04
26				0.91								0.22
27			0.15	0.68								
28			1.25									
29												
30	1.50											
31	0.24											
Totals	1.74	2.00	9.32	6.04	0.11	0.00	0.00	0.00	0.00	0.00	0.00	0.26
												Water Year Total: 19.47

NOTE: All Values are in units of inches, unless otherwise specified.

LEGEND: A - Acculated Total
 E - Estimated
 T - Trace, unmeasurable amount of rain

Data Revised: March 2011

PRECIPITATION

DAILY RAINFALL SUMMARY

238 Hollywood Dam

Gage Type: Standard 8 inch diameter

Observation Time: 800

Latitude 34-07-04

Longitude: 118-19-55

Elevation: 750 Feet

Water Year from 10/01/1996 to 09/30/1997

Day	Oct	Nov	Dec	Jan	Feb	Mar	Apr	May	Jun	Jul	Aug	Sep
1												
2				0.26								
3				0.41								
4												
5				T								
6			0.12									
7												
8												
9												
10			2.55									
11			1.12		0.28							
12			0.69									
13			0.02	1.65								
14				0.12								
15				0.48								T
16				1.03								
17												
18					0.18							
19												
20												
21		0.55		0.12								
22		1.52	0.11	0.32								
23		0.03	0.87	0.92								
24				0.01								
25				0.08								0.11E
26				0.98								0.23E
27			0.20	0.35								
28			0.45									
29												
30	1.23						E		E			
31	0.20						E	E		E	E	
Totals	1.43	2.10	6.13	6.73	0.46	0.00	0.00	0.00	0.00	0.00	0.00	0.34
											Water Year Total:	17.19

NOTE: All Values are in units of inches, unless otherwise specified.

LEGEND: A - Acculated Total
 E - Estimated
 T - Trace, unmeasurable amount of rain

Data Revised: March 2011

PRECIPITATION

DAILY RAINFALL SUMMARY

250D Acton Camp

Gage Type: Daily Automatic (DPW)

Observation Time: 2400

Latitude 34-27-02

Longitude: 118-11-55

Elevation: 2625 Feet

Water Year from 10/01/1996 to 09/30/1997

Day	Oct	Nov	Dec	Jan	Feb	Mar	Apr	May	Jun	Jul	Aug	Sep
1												
2				0.08E								
3				0.10E								
4												
5				0.08E								
6												
7												
8												
9			0.65E									
10			0.58E									
11			0.13E		0.19E							
12			0.06E	0.35E								
13				0.18E								
14				0.19E								
15				0.43E								
16			T	0.05E								
17				0.03E	0.17E							
18					0.01E							T
19												
20				0.10E								
21		0.71E		0.01E								
22		0.26E	0.91E	0.12E								
23		T	0.08E	0.05E								
24												
25				0.09E								0.51E
26				0.82E								0.32E
27			0.02E	0.15E								
28	0.01E		0.01E									
29												
30	0.84E								E			
31			0.02E			E				E	E	
Totals	0.85	0.97	2.46	2.83	0.37	0.00	0.00	0.00	0.00	0.00	0.00	0.83
												Water Year Total: 8.31

NOTE: All Values are in units of inches, unless otherwise specified.

LEGEND: A - Acculated Total
 E - Estimated
 T - Trace, unmeasurable amount of rain

Data Revised: March 2011

PRECIPITATION

DAILY RAINFALL SUMMARY

251C La Crescenta

Gage Type: Standard 8 inch diameter (DPW)

Observation Time: 800

Latitude 34-13-20

Longitude: 118-14-40

Elevation: 1440 Feet

Water Year from 10/01/1996 to 09/30/1997

Day	Oct	Nov	Dec	Jan	Feb	Mar	Apr	May	Jun	Jul	Aug	Sep
1				0.23								
2				0.16								0.01
3				0.63								
4												
5			T	0.25								
6			0.22									
7												
8			T									
9			1.05								0.03A	
10			1.99		0.14							
11			1.86	A	0.36							
12			0.10	1.39A								
13			T						0.11			
14				0.08								
15				1.14								
16												
17					0.09							
18												
19												
20				0.70								
21		1.91		0.05						T		
22		1.06	1.36	0.34						0.04		
23				0.86								
24		0.01		A								
25				1.89A								0.49
26												0.02
27			0.64		0.02							
28												
29			0.10									
30	1.66											
31												
Totals	1.66	2.98	7.32	7.72	0.61	0.00	0.00	0.00	0.11	0.04	0.03	0.52
												Water Year Total: 20.99

NOTE: All Values are in units of inches, unless otherwise specified.

LEGEND: A - Acculated Total
 E - Estimated
 T - Trace, unmeasurable amount of rain

Data Revised: March 2011

PRECIPITATION

DAILY RAINFALL SUMMARY

252C Castaic Lake

Gage Type: Standard 8 inch diameter

Observation Time: 800

Latitude 34-29-53

Longitude: 118-36-53

Elevation: 1150 Feet

Water Year from 10/01/1996 to 09/30/1997

Day	Oct	Nov	Dec	Jan	Feb	Mar	Apr	May	Jun	Jul	Aug	Sep
1				0.72								
2				0.20								0.03
3				0.95								
4												
5				0.03								
6			0.24	T								
7												
8												
9												
10			1.51									
11			0.80		0.20							
12			0.19	0.02								
13			0.03	0.45								
14												
15				0.43								
16				0.10								
17												
18		0.01			T							T
19												0.02
20				T								
21		0.32		0.60								
22		1.63	0.25	0.16								
23		T	0.27	0.59						T		
24				0.01								
25				0.20								0.16
26				1.46								0.13
27			0.25	0.09								
28			0.61	0.02								
29												
30	0.55		0.04									
31	0.10		0.10									
Totals	0.65	1.96	4.29	6.03	0.20	0.00	0.00	0.00	0.00	0.00	0.00	0.34
												Water Year Total: 13.47

NOTE: All Values are in units of inches, unless otherwise specified.

LEGEND: A - Acculated Total
 E - Estimated
 T - Trace, unmeasurable amount of rain

Data Revised: March 2011

PRECIPITATION

DAILY RAINFALL SUMMARY

255F Mount San Antonio College-Spadra

Gage Type: Standard 8 inch diameter (DPW)

Observation Time: 800

Latitude 34-02-41

Longitude: 117-50-19

Elevation: 720 Feet

Water Year from 10/01/1996 to 09/30/1997

Day	Oct	Nov	Dec	Jan	Feb	Mar	Apr	May	Jun	Jul	Aug	Sep
1				0.13E								
2				0.43E								
3				0.38E								
4												
5				0.06E								
6			0.20	0.02E								
7												
8												
9			0.25									
10			1.08									
11			1.09		0.19							
12			0.23									
13				1.52					0.04			
14				0.25								
15				0.50								0.26
16				0.08								
17												
18												
19												
20												
21		1.44										
22		1.39	0.65E	0.22								
23				0.84								
24				0.12								0.06
25												0.50
26												0.07
27			0.33E	1.98	0.04							
28			0.59E									
29			T									
30	1.00											
31												
Totals	1.00	2.83	4.42	6.53	0.23	0.00	0.00	0.00	0.04	0.00	0.00	0.89
												Water Year Total: 15.94

NOTE: All Values are in units of inches, unless otherwise specified.

LEGEND: A - Acculated Total
 E - Estimated
 T - Trace, unmeasurable amount of rain

Data Revised: March 2011

PRECIPITATION

DAILY RAINFALL SUMMARY

261F Acton-Escondido Canyon

Gage Type: Daily Automatic (DPW)

Observation Time: 2400

Latitude 34-29-42

Longitude: 118-16-22

Elevation: 2960 Feet

Water Year from 10/01/1996 to 09/30/1997

Day	Oct	Nov	Dec	Jan	Feb	Mar	Apr	May	Jun	Jul	Aug	Sep
1												
2				0.20			0.04					
3				0.16			0.16					
4												
5				0.08								
6												
7												
8												
9			0.75									
10			0.07									
11			0.20		0.28							
12			0.08	0.39								
13				0.04								
14				0.04								
15				0.39								
16			0.04									
17				0.08	0.08							
18					0.04							
19												
20												
21		0.79										
22		0.12	0.20	0.32								
23			0.19									
24												
25				0.15								0.55
26				0.63								
27		0.04										
28	0.01E											
29												
30	0.84E											
31												
Totals	0.85	0.95	1.53	2.48	0.40	0.00	0.20	0.00	0.00	0.00	0.00	0.55
												Water Year Total: 6.96

NOTE: All Values are in units of inches, unless otherwise specified.

LEGEND: A - Acculated Total
 E - Estimated
 T - Trace, unmeasurable amount of rain

Data Revised: March 2011

PRECIPITATION

DAILY RAINFALL SUMMARY

269D Diamond Bar Fire Station

Gage Type: Standard 8 inch diameter

Observation Time: 800

Latitude 33-59-50

Longitude: 117-48-55

Elevation: 870 Feet

Water Year from 10/01/1996 to 09/30/1997

Day	Oct	Nov	Dec	Jan	Feb	Mar	Apr	May	Jun	Jul	Aug	Sep
1												
2				0.32								
3				0.40								
4				0.01								
5				0.06								
6			0.27									
7			0.01									
8												
9			0.97									
10			0.60		0.03							
11			1.13		0.18							
12			0.19	0.87								
13				0.74					0.04			
14				0.31								
15				0.82								0.04
16												
17												
18												
19												
20				0.12								
21		1.70		0.03								
22		0.99	1.11	0.08								
23			0.01	0.87								
24												
25				0.54								0.65
26				1.83								
27			0.63	0.30	0.01							
28			0.58									
29												
30	1.48											
31	0.02											
Totals	1.50	2.69	5.50	7.30	0.22	0.00	0.00	0.00	0.04	0.00	0.00	0.69
												Water Year Total: 17.94

NOTE: All Values are in units of inches, unless otherwise specified.

LEGEND: A - Acculated Total
 E - Estimated
 T - Trace, unmeasurable amount of rain

Data Revised: March 2011

PRECIPITATION

DAILY RAINFALL SUMMARY

277 Sawmill Mountain

Gage Type: Standard 8 inch diameter (DPW)

Observation Time: 800

Latitude 34-43-15

Longitude: 118-35-00

Elevation: 3700 Feet

Water Year from 10/01/1996 to 09/30/1997

Day	Oct	Nov	Dec	Jan	Feb	Mar	Apr	May	Jun	Jul	Aug	Sep
1				0.04								
2				0.05								0.08
3				0.40								
4												
5				0.20								
6				0.02								
7												
8												
9			1.39									
10			1.32									
11			0.46					0.01				
12			0.07	0.56								
13				0.13								
14				0.13								
15				0.55								
16												
17												
18												
19							0.04					
20				0.80								
21		0.93		0.08								
22		0.62	3.15	0.16						0.04		
23				0.19								
24												
25				0.47								0.92
26	0.33			0.90								0.02
27			0.27		0.03							
28			0.06		0.15							
29	0.03											
30	2.36		0.11									
31			0.02									
Totals	2.72	1.55	6.85	4.68	0.18	0.00	0.04	0.01	0.00	0.04	0.00	1.02
										Water Year Total:		17.09

NOTE: All Values are in units of inches, unless otherwise specified.

LEGEND: A - Acculated Total
 E - Estimated
 T - Trace, unmeasurable amount of rain

Data Revised: March 2011

PRECIPITATION

DAILY RAINFALL SUMMARY

280C Flintridge-Sacred Heart

Gage Type: Daily Automatic (DPW)

Observation Time: 2400

Latitude 34-10-54

Longitude: 118-11-08

Elevation: 1600 Feet

Water Year from 10/01/1996 to 09/30/1997

Day	Oct	Nov	Dec	Jan	Feb	Mar	Apr	May	Jun	Jul	Aug	Sep
1				0.09E								
2				0.44E								
3				0.30E								
4												
5			0.16	0.10E								
6			0.08									
7												
8												
9			1.73									
10			1.14		0.08							
11			1.30									
12			0.08	1.22E								
13				0.62E					0.11			
14				0.19E								
15				1.22								
16												
17					0.08E							
18												
19												
20				0.59								
21		1.06		0.24								
22		0.43	0.75	0.51								
23		0.04		0.47								
24				0.08								
25				1.42								0.51
26				0.71								0.04
27			0.34E	0.04	0.03E							
28			0.10E									
29												
30	1.22E											
31												
Totals	1.22	1.53	5.68	8.24	0.19	0.00	0.00	0.00	0.11	0.00	0.00	0.55
												Water Year Total: 17.52

NOTE: All Values are in units of inches, unless otherwise specified.

LEGEND: A - Acculated Total
 E - Estimated
 T - Trace, unmeasurable amount of rain

PRECIPITATION

DAILY RAINFALL SUMMARY

283C Crystal Lake-East Pine Flat

Gage Type: Daily Automatic (DPW)

Observation Time: 2400

Latitude 34-19-02

Longitude: 117-50-28

Elevation: 5370 Feet

Water Year from 10/01/1996 to 09/30/1997

Day	Oct	Nov	Dec	Jan	Feb	Mar	Apr	May	Jun	Jul	Aug	Sep
1				0.08								
2				0.80								
3				0.24								
4												
5			0.05	0.28								
6												
7												
8												
9			3.49									
10			2.66		0.08							
11			1.00									
12								0.04				
13												
14												
15				0.24								0.15E
16				0.68								
17				1.24								
18				0.36	0.08E							
19												
20				0.16								
21		3.32		0.52								
22		0.80	4.32	0.92								
23				0.48								
24												
25				1.88					0.09			1.85E
26				0.88								
27			0.80	0.04								
28			0.05		0.18E							
29												
30	3.12											
31	0.16											
Totals	3.28	4.12	12.37	8.80	0.34	0.00	0.00	0.04	0.09	0.00	0.00	2.00
Water Year Total:												31.04

NOTE: All Values are in units of inches, unless otherwise specified.

LEGEND: A - Acculated Total
 E - Estimated
 T - Trace, unmeasurable amount of rain

PRECIPITATION

DAILY RAINFALL SUMMARY

287B **Glendora-City Hall**

Gage Type: 8.81 inch diameter (DPW)

Observation Time: 800

Latitude 34-08-09

Longitude: 117-51-52

Elevation: 785 Feet

Water Year from 10/01/1996 to 09/30/1997

Day	Oct	Nov	Dec	Jan	Feb	Mar	Apr	May	Jun	Jul	Aug	Sep
1				0.02								
2				0.16								
3				1.34								
4				0.05			0.03					
5				0.24					0.22			
6			0.25									
7												
8												
9							T					
10			1.91									
11			1.40		0.13							
12			0.66	0.12				T	T			
13				1.76	T			T	0.24			
14				0.18								
15				0.09								0.20E
16				0.98								
17					0.18							
18												
19												
20												
21		0.56		0.33								
22		3.06	0.42	0.28						T		
23		0.07	0.79	0.99						T		
24				0.23		0.02						
25				0.76								0.20E
26				1.37								0.60E
27			0.07	0.59	0.12							0.01E
28			0.81		0.04							
29			T									
30	0.56											
31	0.80		0.03			T					E	
Totals	1.36	3.69	6.34	9.49	0.47	0.02	0.03	0.00	0.46	0.00	0.00	1.01
												Water Year Total: 22.87

NOTE: All Values are in units of inches, unless otherwise specified.

LEGEND: A - Acculated Total
 E - Estimated
 T - Trace, unmeasurable amount of rain

Data Revised: March 2011

PRECIPITATION

DAILY RAINFALL SUMMARY

290B Monterey Park-Fire Station

Gage Type: Standard 8 inch diameter (DPW)

Observation Time: 800

Latitude 34-02-27

Longitude: 118-07-42

Elevation: 305 Feet

Water Year from 10/01/1996 to 09/30/1997

Day	Oct	Nov	Dec	Jan	Feb	Mar	Apr	May	Jun	Jul	Aug	Sep
1				T								
2				0.27								
3				0.40								
4				0.15								
5												
6			0.20									
7												
8												
9			1.45									
10			0.30									
11			1.45									
12			0.20	0.70								
13				0.65					T			
14				0.20								
15				1.15								
16												
17												
18												
19												
20				0.05								
21				0.18								
22		1.75	0.33	0.13								
23												
24												
25				1.55								
26				1.50								
27				0.10								
28												
29												
30	1.27											
31												
Totals	1.27	1.75	3.93	7.03	0.00	0.00	0.00	0.00	0.00	0.00	0.00	0.00
												Water Year Total: 13.98

NOTE: All Values are in units of inches, unless otherwise specified.

LEGEND: A - Acculated Total
 E - Estimated
 T - Trace, unmeasurable amount of rain

Data Revised: March 2011

PRECIPITATION

DAILY RAINFALL SUMMARY

291 Los Angeles-96th and Central

Gage Type: Daily Automatic (DPW)

Observation Time: 2400

Latitude 33-56-56

Longitude: 118-15-17

Elevation: 121 Feet

Water Year from 10/01/1996 to 09/30/1997

Day	Oct	Nov	Dec	Jan	Feb	Mar	Apr	May	Jun	Jul	Aug	Sep
1				0.12								
2				0.23								
3				0.12								
4												
5			0.04	0.04								
6			0.04									
7												
8												
9			1.42									
10			0.63		0.04							
11			0.90									
12			0.12	1.03								
13				0.07								
14				0.04								
15				0.79								0.04
16												
17												
18												
19												
20												
21		1.29		0.20								
22		0.08	0.24	0.27								
23				0.59								
24				0.08								
25				0.83								0.31
26				0.47								
27			1.14									
28			0.04									
29												
30	1.02											
31												
Totals	1.02	1.37	4.57	4.88	0.04	0.00	0.00	0.00	0.00	0.00	0.00	0.35
												Water Year Total: 12.23

NOTE: All Values are in units of inches, unless otherwise specified.

LEGEND: A - Acculated Total
 E - Estimated
 T - Trace, unmeasurable amount of rain

Data Revised: March 2011

PRECIPITATION

DAILY RAINFALL SUMMARY

292D Encino Reservoir

Gage Type: Standard 8 inch diameter (DPW)

Observation Time: 800

Latitude 34-08-56

Longitude: 118-30-57

Elevation: 1075 Feet

Water Year from 10/01/1996 to 09/30/1997

Day	Oct	Nov	Dec	Jan	Feb	Mar	Apr	May	Jun	Jul	Aug	Sep
1												
2				0.22								
3				0.12								
4												
5				0.03								
6												
7												
8												
9			3.42									
10			2.01		0.11							
11			0.62	0.05								
12			0.01	1.05								
13				0.07								
14				0.42								
15				0.92								
16												
17					0.11							
18	0.02											
19				0.02								
20				0.63								
21		0.42		0.31								
22		0.62	0.93	0.85								
23			0.70	0.04								
24				0.01								
25				0.66								0.38
26			0.12	0.16								0.04
27			0.60		T							
28												
29	1.76		T									
30	0.10		T									
31												
Totals	1.88	1.04	8.41	5.56	0.22	0.00	0.00	0.00	0.00	0.00	0.00	0.42
												Water Year Total: 17.53

NOTE: All Values are in units of inches, unless otherwise specified.

LEGEND: A - Acculated Total
 E - Estimated
 T - Trace, unmeasurable amount of rain

Data Revised: March 2011

PRECIPITATION

DAILY RAINFALL SUMMARY

293B Los Angeles Reservoir

Gage Type: Standard 8 inch diameter

Observation Time: 800

Latitude 34-17-18

Longitude: 118-28-54

Elevation: 1150 Feet

Water Year from 10/01/1996 to 09/30/1997

Day	Oct	Nov	Dec	Jan	Feb	Mar	Apr	May	Jun	Jul	Aug	Sep
1				0.02								
2				0.32								0.01
3				0.86								
4												
5				0.04								
6			0.42									
7												
8												
9											0.02	
10			1.94									
11			2.23	0.13	0.27							
12			0.64									
13				0.79								
14				0.03								
15				0.39								
16				0.23								
17												
18					0.28							0.01
19												
20				0.02								
21		0.75		0.61								
22		1.65	0.97	0.57						T		
23			0.95	0.97								
24				0.02								
25				0.20								0.19
26			0.45	1.50								0.15
27			0.28	0.34	T							
28	0.52											
29	0.04											
30	0.29		0.02									
31												
Totals	0.85	2.40	7.90	7.04	0.55	0.00	0.00	0.00	0.00	0.00	0.02	0.36
											Water Year Total:	19.12

NOTE: All Values are in units of inches, unless otherwise specified.

LEGEND: A - Acculated Total
 E - Estimated
 T - Trace, unmeasurable amount of rain

Data Revised: March 2011

PRECIPITATION

DAILY RAINFALL SUMMARY

294B Sierra Madre-Mira Monte Pumping Plant

Gage Type: Standard 8 inch diameter

Observation Time: 800

Latitude 34-10-11

Longitude: 118-02-51

Elevation: 985 Feet

Water Year from 10/01/1996 to 09/30/1997

Day	Oct	Nov	Dec	Jan	Feb	Mar	Apr	May	Jun	Jul	Aug	Sep
1				0.04								
2				0.25								
3				1.08								
4				0.04								
5				0.37								
6			0.27									
7												
8												
9												
10			2.20									
11			2.83		0.20							
12			1.09	0.08								
13			0.02	1.83					0.28			
14				0.19					0.06			
15				0.05								0.10E
16				1.20								
17												
18												
19												
20												
21		0.60		0.61								
22		3.06	0.72	0.24								
23		0.07	0.66	1.28		0.02						
24				0.11								
25				0.05								0.24E
26				1.52								0.61E
27			0.05	0.89	0.16							
28			0.70									
29			0.15									
30	0.95		0.19									
31	0.72											E
Totals	1.67	3.73	8.88	9.83	0.36	0.02	0.00	0.00	0.34	0.00	0.00	0.95
												Water Year Total: 25.78

NOTE: All Values are in units of inches, unless otherwise specified.

LEGEND: A - Acculated Total
 E - Estimated
 T - Trace, unmeasurable amount of rain

Data Revised: March 2011

PRECIPITATION

DAILY RAINFALL SUMMARY

298C Gorman - Sheriff

Gage Type: Daily Automatic (DPW)

Observation Time: 2400

Latitude 34-47-47

Longitude: 118-51-27

Elevation: 3835 Feet

Water Year from 10/01/1996 to 09/30/1997

Day	Oct	Nov	Dec	Jan	Feb	Mar	Apr	May	Jun	Jul	Aug	Sep
1				0.03E								
2				0.03E								T
3				0.13E								0.15E
4				T								
5												
6												
7												
8												
9			0.05E									
10			2.10E									
11			0.22E									
12			0.04E	0.21E								
13				0.02E								
14												
15				0.34E								
16				T								
17												
18					0.04							
19												
20				0.21E	T							
21		0.64										
22			1.27E									
23		0.04		0.21E								
24				0.01E				0.04				
25	0.68			0.16E								0.18E
26	0.52			1.18E								0.04E
27			0.05E	0.07E	0.01							
28		0.04	0.04E									
29	0.60											
30	0.60		0.06E									
31			0.03E			0.04				E	E	
Totals	2.40	0.72	3.86	2.60	0.05	0.04	0.00	0.04	0.00	0.00	0.00	0.37
												Water Year Total: 10.08

NOTE: All Values are in units of inches, unless otherwise specified.

LEGEND: A - Acculated Total
 E - Estimated
 T - Trace, unmeasurable amount of rain

Data Revised: March 2011

PRECIPITATION

DAILY RAINFALL SUMMARY

299F Little Rock - Schwab

Gage Type: Standard 8 inch diameter (DPW)

Observation Time: 800

Latitude 34-32-12

Longitude: 117-58-43

Elevation: 2800 Feet

Water Year from 10/01/1996 to 09/30/1997

Day	Oct	Nov	Dec	Jan	Feb	Mar	Apr	May	Jun	Jul	Aug	Sep
1												
2												
3				T			0.01					0.04
4												0.02
5												
6												
7												
8												
9			0.38									
10			0.19									
11												
12				0.14								
13				0.08								
14				0.03								
15				0.43								
16				0.01								
17					0.12							
18												
19												
20				0.02								
21		0.27										
22		0.05	0.28							0.01		
23												
24												
25												1.16
26				0.20								0.01
27			T	0.02								
28												
29												
30	0.95											
31												
Totals	0.95	0.32	0.85	0.93	0.12	0.00	0.01	0.00	0.00	0.01	0.00	1.23
												Water Year Total: 4.42

NOTE: All Values are in units of inches, unless otherwise specified.

LEGEND: A - Acculated Total
 E - Estimated
 T - Trace, unmeasurable amount of rain

Data Revised: March 2011

PRECIPITATION

DAILY RAINFALL SUMMARY

306H Zuma Beach

Gage Type: Standard 8 inch diameter (DPW)

Observation Time: 800

Latitude 34-01-15

Longitude: 118-49-42

Elevation: 15 Feet

Water Year from 10/01/1996 to 09/30/1997

Day	Oct	Nov	Dec	Jan	Feb	Mar	Apr	May	Jun	Jul	Aug	Sep
1				0.14								
2				0.55								
3				0.30			0.03					
4												
5				0.20			0.02					
6			0.38									
7												
8												
9			1.74									
10			0.80		0.05							
11			0.98									
12			1.10	0.84								
13			0.01	0.48								
14				0.04								
15				0.75								
16												
17					0.08							
18												0.02
19												
20				0.02								
21		1.75		0.73								
22			0.46	0.25								
23				1.12								
24												
25				0.48								0.11
26				0.80								
27			1.05									
28			0.20									
29												
30	0.63											
31			0.20									
Totals	0.63	1.75	6.92	6.70	0.13	0.00	0.05	0.00	0.00	0.00	0.00	0.13
Water Year Total:												16.31

NOTE: All Values are in units of inches, unless otherwise specified.

LEGEND: A - Acculated Total
 E - Estimated
 T - Trace, unmeasurable amount of rain

Data Revised: March 2011

PRECIPITATION

DAILY RAINFALL SUMMARY

321 Pine Canyon Patrol Station

Gage Type: Daily Automatic (DPW)

Observation Time: 2400

Latitude 34-40-24

Longitude: 118-25-45

Elevation: 3286 Feet

Water Year from 10/01/1996 to 09/30/1997

Day	Oct	Nov	Dec	Jan	Feb	Mar	Apr	May	Jun	Jul	Aug	Sep
1				0.01E								0.01
2				T								
3				0.25E								
4												
5				0.12E								
6												
7												
8												
9												
10			1.47E									
11			0.32E									
12			T	0.05E								
13				0.48E								
14				T								
15												
16				0.50E								
17				0.10E								
18												0.04
19												
20				0.05E								
21		0.08		0.21E								
22		0.88E	1.00E	0.10E								
23		0.02E	0.67E	0.19E								
24				0.01E								
25				0.15E								1.24
26			0.01E	0.72E								
27			0.05E	0.14E								
28	0.04		0.12E			T						
29	0.08											
30	1.25E		T						E			
31										E	E	
Totals	1.37	0.98	3.64	3.08	0.00	0.00	0.00	0.00	0.00	0.00	0.00	1.29
												Water Year Total: 10.36

NOTE: All Values are in units of inches, unless otherwise specified.

LEGEND: A - Acculated Total
 E - Estimated
 T - Trace, unmeasurable amount of rain

Data Revised: March 2011

PRECIPITATION

DAILY RAINFALL SUMMARY

322 **Munz Valley Ranch**

Gage Type: Standard 8 inch diameter (DPW)

Observation Time: 800

Latitude 34-42-50

Longitude: 118-21-15

Elevation: 2600 Feet

Water Year from 10/01/1996 to 09/30/1997

Day	Oct	Nov	Dec	Jan	Feb	Mar	Apr	May	Jun	Jul	Aug	Sep
1												
2				0.12								0.05
3				0.10								
4												
5												
6												
7												
8												
9			1.15									
10			0.27									
11												
12				0.05								
13				0.24								
14												
15				0.54								
16												
17												
18												
19												
20				0.11								
21		0.40										
22		0.14	0.77	0.04								
23												
24												0.75
25				0.18								
26				0.57								
27			0.07									
28												
29												
30	1.25											
31												
Totals	1.25	0.54	2.26	1.95	0.00	0.00	0.00	0.00	0.00	0.00	0.00	0.80
												Water Year Total: 6.80

NOTE: All Values are in units of inches, unless otherwise specified.

LEGEND: A - Acculated Total
 E - Estimated
 T - Trace, unmeasurable amount of rain

Data Revised: March 2011

PRECIPITATION

DAILY RAINFALL SUMMARY

334B Cogswell Dam

Gage Type: Standard 8 inch diameter (DPW)

Observation Time: 800

Latitude 34-14-37

Longitude: 117-57-35

Elevation: 2300 Feet

Water Year from 10/01/1996 to 09/30/1997

Day	Oct	Nov	Dec	Jan	Feb	Mar	Apr	May	Jun	Jul	Aug	Sep
1				0.06								
2				0.13								
3		0.02		0.81								
4				T			T					
5				0.19								
6			0.05									
7												
8												
9												
10			3.79									
11			1.77		0.07							
12			0.41	0.05								
13			0.01	1.63					0.12			
14				0.28								
15				0.34								0.03
16				1.06								
17												
18					0.08							
19												
20												
21		0.57		0.63								
22		2.17	1.70	0.32								
23		0.38	3.19	1.12								
24				0.04		T						
25		T		0.12								0.19
26				1.89								0.83
27			0.10	0.14	0.11							0.01
28			1.17		0.06							
29			0.03									
30	2.12		0.03									
31	0.96											
Totals	3.08	3.14	12.25	8.81	0.32	0.00	0.00	0.00	0.12	0.00	0.00	1.06
												Water Year Total: 28.78

NOTE: All Values are in units of inches, unless otherwise specified.

LEGEND: A - Acculated Total
 E - Estimated
 T - Trace, unmeasurable amount of rain

Data Revised: March 2011

PRECIPITATION

DAILY RAINFALL SUMMARY

336 Silver Lake Reservoir

Gage Type: Standard 8 inch diameter

Observation Time: 800

Latitude 34-06-08

Longitude: 118-15-54

Elevation: 445 Feet

Water Year from 10/01/1996 to 09/30/1997

Day	Oct	Nov	Dec	Jan	Feb	Mar	Apr	May	Jun	Jul	Aug	Sep
1												
2				0.25								
3				0.32								
4												
5												
6			0.15	0.01								
7												
8												
9			1.81									
10			1.26									
11			0.38									
12												
13				1.36					T			
14				0.09								
15				0.08								
16				1.05								
17			T	T								T
18					0.06							
19												
20												
21		0.39		0.09								
22		1.35	0.10	0.27								
23		0.10	0.61	1.12								
24				0.03								
25				0.04								0.55E
26				0.87								
27			T	0.29								
28			0.68									
29			T									
30	1.12		T									
31	0.07		0.01									
Totals	1.19	1.84	5.00	5.87	0.06	0.00	0.00	0.00	0.00	0.00	0.00	0.55
												Water Year Total: 14.51

NOTE: All Values are in units of inches, unless otherwise specified.

LEGEND: A - Acculated Total
 E - Estimated
 T - Trace, unmeasurable amount of rain

Data Revised: March 2011

PRECIPITATION

DAILY RAINFALL SUMMARY

338C Mt. Wilson-Observatory

Gage Type: Standard 8 inch diameter

Observation Time: 800

Latitude 34-14-07

Longitude: 118-04-28

Elevation: 5709 Feet

Water Year from 10/01/1996 to 09/30/1997

Day	Oct	Nov	Dec	Jan	Feb	Mar	Apr	May	Jun	Jul	Aug	Sep
1				0.08								
2				0.45								
3				1.16			0.01					
4												
5			T	0.30			0.04		0.12			
6			0.28									
7												
8												
9												
10			3.41		0.01							
11			2.48		0.38							
12			0.24	1.10								
13				1.34					0.22			
14				0.41					0.03			
15				1.56								0.06
16												
17		0.01			0.10							T
18					0.03							T
19												
20				0.60								T
21		2.18		0.07						T		
22		2.09	3.37	0.55						0.01		
23		0.02		1.53								
24				0.04								
25				0.76								1.79
26				1.99								
27			0.85	0.30	0.28							
28			0.66		0.02							
29												
30	2.30		T									
31			0.04			0.01						
Totals	2.30	4.30	11.33	12.24	0.82	0.01	0.05	0.00	0.37	0.01	0.00	1.85
											Water Year Total:	33.28

NOTE: All Values are in units of inches, unless otherwise specified.

LEGEND: A - Acculated Total
 E - Estimated
 T - Trace, unmeasurable amount of rain

Data Revised: March 2011

PRECIPITATION

DAILY RAINFALL SUMMARY

342C Upland-Water Facilities Authority

Gage Type: Standard 8 inch diameter (DPW)

Observation Time: 800

Latitude 34-07-33

Longitude: 117-40-52

Elevation: 1610 Feet

Water Year from 10/01/1996 to 09/30/1997

Day	Oct	Nov	Dec	Jan	Feb	Mar	Apr	May	Jun	Jul	Aug	Sep
1				0.26								
2				1.10								
3				0.02								
4				0.14								
5			0.15						0.04			
6									0.01			
7												
8			1.40									
9			0.40									
10			1.15		0.03							
11			0.08									
12				1.37					0.09			
13				0.59					0.04			
14				0.08								0.02
15				0.90								0.05
16												
17					0.01							
18												
19												
20				0.26								
21		2.86	1.45	0.26								
22		0.70		0.22								
23				0.53		0.02						
24				0.03				0.01				
25				1.41								0.63
26			0.38	1.33								
27			0.26		0.15							
28												
29												
30	1.46											
31			0.07									
Totals	1.46	3.56	5.34	8.50	0.19	0.02	0.00	0.01	0.18	0.00	0.00	0.70
											Water Year Total:	19.96

NOTE: All Values are in units of inches, unless otherwise specified.

LEGEND: A - Acculated Total
 E - Estimated
 T - Trace, unmeasurable amount of rain

Data Revised: March 2011

PRECIPITATION

DAILY RAINFALL SUMMARY

352B Lechuza Patrol Station

Gage Type: Daily Automatic (DPW)

Observation Time: 2400

Latitude 34-04-38

Longitude: 118-52-47

Elevation: 1620 Feet

Water Year from 10/01/1996 to 09/30/1997

Day	Oct	Nov	Dec	Jan	Feb	Mar	Apr	May	Jun	Jul	Aug	Sep
1												
2												
3				0.97								
4								0.04				
5				0.03			0.04					
6			0.19									
7												
8												
9												
10			2.42		0.16							
11			2.02									
12			0.30	0.58								
13				0.67								
14				0.12					0.04			
15				0.68								
16												
17					0.04							
18		0.03										
19												
20				0.18								
21		1.30										
22		1.80	0.51	0.95								
23				1.64								
24												T
25												0.06E
26												
27			0.87	1.65								
28			0.53									
29	0.75											
30	1.38											
31												
Totals	2.13	3.13	6.84	7.47	0.20	0.00	0.04	0.04	0.04	0.00	0.00	0.06
												Water Year Total: 19.95

NOTE: All Values are in units of inches, unless otherwise specified.

LEGEND: A - Acculated Total
 E - Estimated
 T - Trace, unmeasurable amount of rain

Data Revised: March 2011

PRECIPITATION

DAILY RAINFALL SUMMARY

356C Spadra-Lanterman Hospital

Gage Type: Daily Automatic (DPW)

Observation Time: 2400

Latitude 34-02-31

Longitude: 117-48-35

Elevation: 690 Feet

Water Year from 10/01/1996 to 09/30/1997

Day	Oct	Nov	Dec	Jan	Feb	Mar	Apr	May	Jun	Jul	Aug	Sep
1				0.16								
2				0.71								
3				0.32								
4												
5				0.11								
6			0.23									
7												
8												
9			0.38									
10			1.26									
11			1.12		0.23							
12			0.18	1.34	T							
13				0.59					0.11			
14				0.24								
15												0.08E
16				0.71								
17												
18												
19												
20				0.23								
21		1.48		0.20								
22		1.24	0.65	0.16						T		
23				0.86								
24												
25				1.54								0.13E
26				1.54								0.46E
27			0.31		0.03							
28			0.63									
29												
30	1.11											
31	0.07											E
Totals	1.18	2.72	4.76	8.71	0.26	0.00	0.00	0.00	0.11	0.00	0.00	0.67
												Water Year Total: 18.41

NOTE: All Values are in units of inches, unless otherwise specified.

LEGEND: A - Acculated Total
 E - Estimated
 T - Trace, unmeasurable amount of rain

Data Revised: March 2011

PRECIPITATION

DAILY RAINFALL SUMMARY

372 San Francisquito Power House No.2

Gage Type: Daily Automatic (DPW)

Observation Time: 2400

Latitude 34-32-02

Longitude: 118-31-27

Elevation: 1580 Feet

Water Year from 10/01/1996 to 09/30/1997

Day	Oct	Nov	Dec	Jan	Feb	Mar	Apr	May	Jun	Jul	Aug	Sep
1				T								
2				0.24								
3				0.30			T					
4				0.02								
5			T	0.10								
6			0.25									
7												
8												
9			0.85									
10			0.35		0.15							
11			0.40									
12			0.15	0.20								
13				0.30								
14												
15				0.49								
16												
17												
18		T										
19												
20				0.55								
21		1.00		0.10								
22		0.40	0.30	0.10						T		
23				0.35								
24				0.10								
25				0.50								0.25
26				0.45								
27			0.25	0.10	T							
28												
29												
30	0.35		T									
31			T									
Totals	0.35	1.40	2.55	3.90	0.15	0.00	0.00	0.00	0.00	0.00	0.00	0.25
												Water Year Total: 8.60

NOTE: All Values are in units of inches, unless otherwise specified.

LEGEND: A - Acculated Total
 E - Estimated
 T - Trace, unmeasurable amount of rain

Data Revised: March 2011

PRECIPITATION

DAILY RAINFALL SUMMARY

373C Briggs Terrace

Gage Type: Standard 8 inch diameter (DPW)

Observation Time: 800

Latitude 34-14-17

Longitude: 118-13-27

Elevation: 2200 Feet

Water Year from 10/01/1996 to 09/30/1997

Day	Oct	Nov	Dec	Jan	Feb	Mar	Apr	May	Jun	Jul	Aug	Sep
1				0.09								
2				0.48								
3				0.39								
4												
5			0.24	0.41								
6												
7												
8												
9			2.42									
10			1.37		0.54							
11			1.62									
12			0.10	0.85					0.03			
13									0.27			
14												
15				1.01								
16												
17												
18												
19												
20				0.69								
21		2.27	1.89									
22		1.32								0.02		
23		0.04		0.61								
24												
25				1.75								0.62
26				1.22								0.02
27												
28			0.85									
29			0.20									
30	1.98											
31			0.03									
Totals	1.98	3.63	8.72	7.50	0.54	0.00	0.00	0.00	0.30	0.02	0.00	0.64
												Water Year Total: 23.33

NOTE: All Values are in units of inches, unless otherwise specified.

LEGEND: A - Acculated Total
 E - Estimated
 T - Trace, unmeasurable amount of rain

Data Revised: March 2011

PRECIPITATION

DAILY RAINFALL SUMMARY

377F Lake Sherwood Estates

Gage Type: Standard 8 inch diameter

Observation Time: 800

Latitude 34-08-26

Longitude: 118-52-31

Elevation: 960 Feet

Water Year from 10/01/1996 to 09/30/1997

Day	Oct	Nov	Dec	Jan	Feb	Mar	Apr	May	Jun	Jul	Aug	Sep
1				0.02								
2				0.30								
3				0.25								
4				0.04								
5				T								
6			0.05									
7												
8												
9												
10			3.47									
11			2.20		0.12							
12			0.40	0.05								
13				0.95								
14				0.13					0.02			
15				1.03								
16				0.33								
17												
18		0.01			0.04							
19												
20		0.02										
21		0.48		0.41								
22		1.30	0.14	0.54								
23		0.12	1.21	0.97								
24				0.05								
25				0.05								T
26				1.07								0.06
27			0.15	0.08								
28			0.71									
29												
30	2.80		0.01									
31	0.05											
Totals	2.85	1.93	8.34	6.27	0.16	0.00	0.00	0.00	0.02	0.00	0.00	0.06
										Water Year Total:		19.63

NOTE: All Values are in units of inches, unless otherwise specified.

LEGEND: A - Acculated Total
 E - Estimated
 T - Trace, unmeasurable amount of rain

Data Revised: March 2011

PRECIPITATION

DAILY RAINFALL SUMMARY

387B Covina City Yard

Gage Type: Standard 8 inch diameter

Observation Time: 800

Latitude 34-05-02

Longitude: 117-53-57

Elevation: 508 Feet

Water Year from 10/01/1996 to 09/30/1997

Day	Oct	Nov	Dec	Jan	Feb	Mar	Apr	May	Jun	Jul	Aug	Sep
1												
2				0.29								
3				0.71								
4												
5				0.07								
6			0.90									
7												
8												
9												
10			0.93									
11			1.37		0.13							
12			0.21									
13				1.38								
14				0.20								
15				1.09								0.13
16												
17												
18												
19												
20				0.09								
21		1.91										
22		1.13	0.67	0.36								
23		0.02		0.79								
24												
25												0.84
26				1.96								
27				0.82								
28			0.28									
29			0.31									
30	1.12											
31												
Totals	1.12	3.06	4.67	7.76	0.13	0.00	0.00	0.00	0.00	0.00	0.00	0.97
											Water Year Total:	17.71

NOTE: All Values are in units of inches, unless otherwise specified.

LEGEND: A - Acculated Total
 E - Estimated
 T - Trace, unmeasurable amount of rain

Data Revised: March 2011

PRECIPITATION

DAILY RAINFALL SUMMARY

388D **Paramount-County Fire Department**

Gage Type: 8.81 inch diameter (DPW)

Observation Time: 800

Latitude 33-53-50

Longitude: 118-10-02

Elevation: 80 Feet

Water Year from 10/01/1996 to 09/30/1997

Day	Oct	Nov	Dec	Jan	Feb	Mar	Apr	May	Jun	Jul	Aug	Sep
1												
2				0.24								
3				0.49								
4												
5				0.10								
6				0.05								
7												
8												
9												
10			2.09									
11			2.00		0.12							
12			0.45									
13			0.02									
14				1.33								
15				0.05								
16				1.35								
17												
18												
19												
20												
21		0.47		0.01								
22		2.08	0.15	0.29								
23		0.27	0.22	1.19								
24												
25												0.41
26				1.89								
27			0.05	0.30								
28			1.47									
29												
30	1.38											
31	0.58											
Totals	1.96	2.82	6.45	7.29	0.12	0.00	0.00	0.00	0.00	0.00	0.00	0.41
												Water Year Total: 19.05

NOTE: All Values are in units of inches, unless otherwise specified.

LEGEND: A - Acculated Total
 E - Estimated
 T - Trace, unmeasurable amount of rain

Data Revised: March 2011

PRECIPITATION

DAILY RAINFALL SUMMARY

390B Morris Dam

Gage Type: Standard 8 inch diameter

Observation Time: 800

Latitude 34-10-53

Longitude: 117-52-43

Elevation: 1210 Feet

Water Year from 10/01/1996 to 09/30/1997

Day	Oct	Nov	Dec	Jan	Feb	Mar	Apr	May	Jun	Jul	Aug	Sep
1				0.02								
2				0.16								
3				1.31								
4				0.09			T					
5				0.22			0.03					
6			0.13						0.13			
7												
8												
9												
10			1.99				0.02					
11			2.30		0.13							
12			0.63	0.16								
13				1.70					0.44			
14				0.18					0.01			
15				0.13								0.30
16				0.84								
17												
18					0.16							
19	0.01											
20												
21		0.44		0.38								
22		3.58	0.48	0.27								
23		0.09	1.10	1.36		0.04						
24				0.40								
25				0.08								0.14
26				2.19								0.58
27			0.09	0.60	0.34							T
28			1.09		0.03							
29			0.04									
30	0.77											
31	0.91											
Totals	1.69	4.11	7.85	10.09	0.66	0.04	0.05	0.00	0.58	0.00	0.00	1.02
												Water Year Total: 26.09

NOTE: All Values are in units of inches, unless otherwise specified.

LEGEND: A - Acculated Total
 E - Estimated
 T - Trace, unmeasurable amount of rain

Data Revised: March 2011

PRECIPITATION

DAILY RAINFALL SUMMARY

391C Montebello-Fire Department

Gage Type: 8.81 inch diameter (DPW)

Observation Time: 800

Latitude 34-01-08

Longitude: 118-06-15

Elevation: 250 Feet

Water Year from 10/01/1996 to 09/30/1997

Day	Oct	Nov	Dec	Jan	Feb	Mar	Apr	May	Jun	Jul	Aug	Sep
1				0.01								
2				0.33								
3				0.53								
4												
5												
6			0.27									
7												
8												
9			0.78									
10			1.00		0.04							
11			2.00		0.10							
12			0.40									
13				1.44					0.04E			
14				0.10								
15				1.24								0.19E
16												
17												
18												
19												
20				0.05								
21		1.46		0.10								
22		1.13	0.49	0.25								
23				1.25								
24												
25				0.32								0.59E
26				1.68								
27			0.47	0.49								
28			0.73									
29												
30	1.50						E					
31								E				
Totals	1.50	2.59	6.14	7.79	0.14	0.00	0.00	0.00	0.04	0.00	0.00	0.78
												Water Year Total: 18.98

NOTE: All Values are in units of inches, unless otherwise specified.

LEGEND: A - Acculated Total
 E - Estimated
 T - Trace, unmeasurable amount of rain

Data Revised: March 2011

PRECIPITATION

DAILY RAINFALL SUMMARY

394 Highland Park

Gage Type: Standard 8 inch diameter (DPW)

Observation Time: 800

Latitude 34-07-06

Longitude: 118-10-39

Elevation: 620 Feet

Water Year from 10/01/1996 to 09/30/1997

Day	Oct	Nov	Dec	Jan	Feb	Mar	Apr	May	Jun	Jul	Aug	Sep
1				0.01								
2												
3												
4												
5												
6												
7												
8												
9			1.40									
10			0.79									
11			1.72		0.10							
12			0.19	A								
13				1.93A				0.05				
14				0.12								
15				1.13								
16												
17												
18												
19												
20				A								
21		1.33		A								
22		0.66		A								
23				A								
24				A								
25				2.06A								0.62
26				A								
27			1.04	1.11A	0.03							
28			0.18									
29												
30	1.05											
31			0.01									
Totals	1.05	1.99	5.33	6.36	0.13	0.00	0.00	0.00	0.05	0.00	0.00	0.62
Water Year Total:												15.53

NOTE: All Values are in units of inches, unless otherwise specified.

LEGEND: A - Acculated Total
 E - Estimated
 T - Trace, unmeasurable amount of rain

Data Revised: March 2011

PRECIPITATION

DAILY RAINFALL SUMMARY

402F Cedar Springs

Gage Type: Daily Automatic (DPW)

Observation Time: 2400

Latitude 34-21-21

Longitude: 117-52-34

Elevation: 6780 Feet

Water Year from 10/01/1996 to 09/30/1997

Day	Oct	Nov	Dec	Jan	Feb	Mar	Apr	May	Jun	Jul	Aug	Sep
1		0.64										
2				0.64								
3				0.44								
4												
5				0.16								
6												
7												
8												
9			2.08									
10			1.32									
11			0.92		0.04							
12			0.04									
13									0.12			
14												
15												0.12
16												
17				0.64								
18				0.28	0.32							
19												
20												
21		3.00										
22		0.72	1.24	0.44								
23			0.32	1.04								
24			0.08									
25			0.04	1.52								1.76
26				1.04								
27			1.00		0.20							
28					0.04							
29												
30	1.16											
31	0.20											
Totals	1.36	4.36	7.04	6.20	0.60	0.00	0.00	0.00	0.12	0.00	0.00	1.88
												Water Year Total: 21.56

NOTE: All Values are in units of inches, unless otherwise specified.

LEGEND: A - Acculated Total
 E - Estimated
 T - Trace, unmeasurable amount of rain

Data Revised: March 2011

PRECIPITATION

DAILY RAINFALL SUMMARY

405B Soledad Canyon

Gage Type: Standard 8 inch diameter (DPW)

Observation Time: 800

Latitude 34-26-23

Longitude: 118-17-33

Elevation: 2150 Feet

Water Year from 10/01/1996 to 09/30/1997

Day	Oct	Nov	Dec	Jan	Feb	Mar	Apr	May	Jun	Jul	Aug	Sep
1				T								
2												
3				0.08								
4												
5				0.12								
6												
7												
8												
9			1.13									
10			0.87		0.13							
11			0.13									
12				0.36								
13				0.35								
14				0.07								
15				0.61								
16												
17					0.33							
18												0.01
19												
20				0.25								
21		0.76		0.01								
22		0.40	2.00	0.01								
23				0.13								
24				T								
25				0.08								
26				1.49								0.73
27			0.07									
28			0.01									
29												
30	0.86											
31			0.04									
Totals	0.86	1.16	4.25	3.56	0.46	0.00	0.00	0.00	0.00	0.00	0.00	0.74
Water Year Total:												11.03

NOTE: All Values are in units of inches, unless otherwise specified.

LEGEND: A - Acculated Total
 E - Estimated
 T - Trace, unmeasurable amount of rain

Data Revised: March 2011

PRECIPITATION

DAILY RAINFALL SUMMARY

406C West Azusa

Gage Type: Standard 8 inch diameter (DPW)

Observation Time: 800

Latitude 34-06-53

Longitude: 117-54-56

Elevation: 505 Feet

Water Year from 10/01/1996 to 09/30/1997

Day	Oct	Nov	Dec	Jan	Feb	Mar	Apr	May	Jun	Jul	Aug	Sep
1												
2				0.15								
3				0.87								
4				0.01								
5				0.05								
6			0.19									
7												
8												
9												
10			1.55									
11			1.36		0.13							
12			0.59	0.26								
13				1.36					0.01			
14				0.20								
15				0.05								0.15
16				0.98								
17												
18												
19												
20						T						
21		0.52		0.04								
22		2.55	0.29	0.28								
23		0.03	0.38	0.82								
24												
25												0.25
26				1.92								0.62
27			0.10	0.76	0.06							
28			1.00		0.03							
29												
30	0.64		0.03									
31	0.74											
Totals	1.38	3.10	5.49	7.75	0.22	0.00	0.00	0.00	0.01	0.00	0.00	1.02
												Water Year Total: 18.97

NOTE: All Values are in units of inches, unless otherwise specified.

LEGEND: A - Acculated Total
 E - Estimated
 T - Trace, unmeasurable amount of rain

Data Revised: March 2011

PRECIPITATION

DAILY RAINFALL SUMMARY

409B Pyramid Reservoir

Gage Type: Standard 8 inch diameter

Observation Time: 800

Latitude 34-40-34

Longitude: 118-46-47

Elevation: 2505 Feet

Water Year from 10/01/1996 to 09/30/1997

Day	Oct	Nov	Dec	Jan	Feb	Mar	Apr	May	Jun	Jul	Aug	Sep
1				0.03								
2				0.03								T
3				0.13								0.15
4				T								
5												
6												
7												
8												
9			0.05									
10			2.10									
11			0.22									
12			0.04	0.21								
13				0.02								
14												
15				0.34								
16				T								
17												
18					0.04							
19												
20				0.21	T							
21		0.36										
22		0.41	1.27									
23				0.21								
24				0.01								
25				0.16								0.18
26	0.47			1.18								0.04
27			0.05	0.07	0.01							
28			0.04									
29	0.05											
30	2.34		0.06									
31	0.06		0.03									
Totals	2.92	0.77	3.86	2.60	0.05	0.00	0.00	0.00	0.00	0.00	0.00	0.37
												Water Year Total: 10.57

NOTE: All Values are in units of inches, unless otherwise specified.

LEGEND: A - Acculated Total
 E - Estimated
 T - Trace, unmeasurable amount of rain

Data Revised: March 2011

PRECIPITATION

DAILY RAINFALL SUMMARY

415 Signal Hill-City Hall

Gage Type: Daily Automatic (DPW)

Observation Time: 2400

Latitude 33-47-49

Longitude: 118-10-03

Elevation: 140 Feet

Water Year from 10/01/1996 to 09/30/1997

Day	Oct	Nov	Dec	Jan	Feb	Mar	Apr	May	Jun	Jul	Aug	Sep
1				0.16								
2				0.12								
3				0.08								
4												
5			0.12	0.08								
6												
7												
8												
9			1.45									
10			0.36		0.08							
11			1.10		0.04							
12			0.12	0.98								
13				0.40								
14												
15				1.41								
16												
17												
18												
19												
20												
21				0.36								
22		2.00	0.08	0.23								
23				0.59								
24												
25				0.91								0.39
26				0.35								
27			0.74									
28			0.04									
29												
30	1.41											
31												
Totals	1.41	2.00	4.01	5.67	0.12	0.00	0.00	0.00	0.00	0.00	0.00	0.39
											Water Year Total:	13.60

NOTE: All Values are in units of inches, unless otherwise specified.

LEGEND: A - Acculated Total
 E - Estimated
 T - Trace, unmeasurable amount of rain

Data Revised: March 2011

PRECIPITATION

DAILY RAINFALL SUMMARY

423C Angeles Forest-Aliso

Gage Type: Daily Automatic (DPW)

Observation Time: 2400

Latitude 34-24-57

Longitude: 118-05-26

Elevation: 3920 Feet

Water Year from 10/01/1996 to 09/30/1997

Day	Oct	Nov	Dec	Jan	Feb	Mar	Apr	May	Jun	Jul	Aug	Sep
1												
2												
3				1.22E			0.30E					
4												
5												
6			0.08E	0.10E								
7												
8												
9												
10			1.85E									
11			0.66E									
12			0.34E									
13												
14												
15				1.38E								
16				0.23E								
17				0.55E								
18				0.56E	0.27E							
19				0.39E								
20				0.75E								
21		1.20		0.47E								
22		0.16								0.04		
23			2.22E	1.81E								
24				0.99E								
25				0.03E								1.40
26												0.04
27	0.12				0.03E							
28					0.07E							
29	0.04											
30	1.76		0.32E									
31												
Totals	1.92	1.36	5.47	8.48	0.37	0.00	0.30	0.00	0.00	0.04	0.00	1.44
												Water Year Total: 19.38

NOTE: All Values are in units of inches, unless otherwise specified.

LEGEND: A - Acculated Total
 E - Estimated
 T - Trace, unmeasurable amount of rain

Data Revised: March 2011

PRECIPITATION

DAILY RAINFALL SUMMARY

425B San Gabriel Dam

Gage Type: Daily Automatic (DPW)

Observation Time: 2400

Latitude 34-12-19

Longitude: 117-51-38

Elevation: 1481 Feet

Water Year from 10/01/1996 to 09/30/1997

Day	Oct	Nov	Dec	Jan	Feb	Mar	Apr	May	Jun	Jul	Aug	Sep
1				0.02								
2				0.12								
3				1.05								
4				0.02								
5				0.20			0.06					
6			0.02									
7												
8												
9												
10			2.81									
11			2.29		0.07							
12			0.50	0.11								
13				1.81					0.58			
14				0.36					0.08			
15				0.27								0.31
16				0.92								
17												T
18					0.12							
19												
20												
21		0.42		0.72								
22		3.33	0.76	0.23								
23		0.45	2.53	1.63		0.02						
24				0.04		T						
25				0.12								0.22
26				2.72								0.82
27			0.03	0.14	0.50							
28			1.58		0.04							
29			0.09									
30	1.12											
31	1.17		T									
Totals	2.29	4.20	10.61	10.48	0.73	0.02	0.06	0.00	0.66	0.00	0.00	1.35
												Water Year Total: 30.40

NOTE: All Values are in units of inches, unless otherwise specified.

LEGEND: A - Acculated Total
 E - Estimated
 T - Trace, unmeasurable amount of rain

Data Revised: March 2011

PRECIPITATION

DAILY RAINFALL SUMMARY

434 Agoura

Gage Type: Daily Automatic (DPW)

Observation Time: 2400

Latitude 34-08-08

Longitude: 118-45-08

Elevation: 800 Feet

Water Year from 10/01/1996 to 09/30/1997

Day	Oct	Nov	Dec	Jan	Feb	Mar	Apr	May	Jun	Jul	Aug	Sep
1				0.24								
2				0.12								
3				0.04								
4												
5			0.12	0.04								
6			0.04									
7												
8												
9			2.24									
10			1.19		0.16							
11			0.74									
12				0.70								
13			0.04	0.16								
14				0.08								
15				0.79								
16				0.08								
17												
18												0.08
19												
20				0.47								
21		1.29		0.39								
22		0.08	0.71	0.44								
23				0.23								
24				0.04								
25			0.08	0.55								0.12
26				0.16								
27			0.47									
28												
29	0.91											
30	1.26											
31												
Totals	2.17	1.37	5.63	4.53	0.16	0.00	0.00	0.00	0.00	0.00	0.00	0.20
												Water Year Total: 14.06

NOTE: All Values are in units of inches, unless otherwise specified.

LEGEND: A - Acculated Total
 E - Estimated
 T - Trace, unmeasurable amount of rain

Data Revised: March 2011

PRECIPITATION

DAILY RAINFALL SUMMARY

435 Monte Nido

Gage Type: Daily Automatic (DPW)

Observation Time: 2400

Latitude 34-04-41

Longitude: 118-41-35

Elevation: 600 Feet

Water Year from 10/01/1996 to 09/30/1997

Day	Oct	Nov	Dec	Jan	Feb	Mar	Apr	May	Jun	Jul	Aug	Sep
1				0.12								
2				0.35								
3												0.04
4												
5			0.07	0.04								
6												
7												
8												
9			2.33									
10			1.81		0.08							
11			0.51									
12			0.08	0.91								
13				0.08								
14				0.08					0.04			
15				1.26								
16												
17												
18												0.04
19												
20				0.19								
21		1.65		0.55								
22		0.24	1.22	0.99								
23				0.86								
24												
25				1.11								0.24
26				0.63								
27			1.06									
28			0.04									
29	0.82											
30	1.82											
31												
Totals	2.64	1.89	7.12	7.17	0.08	0.00	0.00	0.00	0.04	0.00	0.00	0.32
												Water Year Total: 19.26

NOTE: All Values are in units of inches, unless otherwise specified.

LEGEND: A - Acculated Total
 E - Estimated
 T - Trace, unmeasurable amount of rain

Data Revised: March 2011

PRECIPITATION

DAILY RAINFALL SUMMARY

436C Hansen Dam

Gage Type: Daily Automatic (DPW)

Observation Time: 2400

Latitude 34-16-08

Longitude: 118-23-59

Elevation: 1110 Feet

Water Year from 10/01/1996 to 09/30/1997

Day	Oct	Nov	Dec	Jan	Feb	Mar	Apr	May	Jun	Jul	Aug	Sep
1												
2				0.27								
3				0.50								
4												
5				0.04								
6			0.21									
7												
8												
9			0.88									
10			0.87		0.11							
11			1.11		0.10							
12			0.18	0.60								
13				0.45								
14				0.03								
15				0.70								
16												
17					0.32							
18												
19												
20				0.22								
21		1.27		0.06								
22		0.46	1.38	0.23						0.02		
23				0.49								
24												
25				0.41								0.34
26				0.50								
27			0.14	0.06								
28			0.01									
29												
30	0.73											
31												
Totals	0.73	1.73	4.78	4.56	0.53	0.00	0.00	0.00	0.00	0.02	0.00	0.34
										Water Year Total:		12.69

NOTE: All Values are in units of inches, unless otherwise specified.

LEGEND: A - Acculated Total
 E - Estimated
 T - Trace, unmeasurable amount of rain

Data Revised: March 2011

PRECIPITATION

DAILY RAINFALL SUMMARY

442C Mescal Creek

Gage Type: Standard 8 inch diameter (DPW)

Observation Time: 800

Latitude 34-29-05

Longitude: 117-44-10

Elevation: 3570 Feet

Water Year from 10/01/1996 to 09/30/1997

Day	Oct	Nov	Dec	Jan	Feb	Mar	Apr	May	Jun	Jul	Aug	Sep
1												
2												
3											0.11	T
4												
5												
6				0.05								
7				0.06				T				
8								T				
9			0.55									
10												
11												
12												
13				0.15								
14												
15												
16				0.60								
17												
18					0.16							
19												
20												
21										T		
22		0.37	0.07									
23												
24												1.20
25												
26												
27				0.08								
28												
29												
30			0.02									
31	0.55											
Totals	0.55	0.37	0.64	0.94	0.16	0.00	0.00	0.00	0.00	0.00	0.11	1.20
											Water Year Total:	3.97

NOTE: All Values are in units of inches, unless otherwise specified.

LEGEND: A - Acculated Total
 E - Estimated
 T - Trace, unmeasurable amount of rain

Data Revised: March 2011

PRECIPITATION

DAILY RAINFALL SUMMARY

446 Aliso Canyon-Oat Mountain

Gage Type: Daily Automatic (DPW)

Observation Time: 2400

Latitude 34-18-53

Longitude: 118-33-25

Elevation: 2367 Feet

Water Year from 10/01/1996 to 09/30/1997

Day	Oct	Nov	Dec	Jan	Feb	Mar	Apr	May	Jun	Jul	Aug	Sep
1				0.28								
2				1.30								
3				0.20								
4												
5			0.31	0.04								
6			0.20									
7												
8												
9			2.36									
10			2.44		0.20							
11			1.69									
12			0.16	1.02								
13				0.20								
14				0.11								
15				1.34								
16												
17					0.43							
18												0.12
19												
20		0.12		0.32								
21		2.68	0.04	0.67								
22		0.63	2.44	0.86								
23				0.63								
24				0.04								
25				2.01								0.51
26				0.63								0.04
27			1.02									
28			0.04									
29												
30	0.24											
31	0.94											
Totals	1.18	3.43	10.70	9.65	0.63	0.00	0.00	0.00	0.00	0.00	0.00	0.67
												Water Year Total: 26.26

NOTE: All Values are in units of inches, unless otherwise specified.

LEGEND: A - Acculated Total
 E - Estimated
 T - Trace, unmeasurable amount of rain

Data Revised: March 2011

PRECIPITATION

DAILY RAINFALL SUMMARY

447C Carbon Canyon

Gage Type: Standard 8 inch diameter (DPW)

Observation Time: 800

Latitude 34-02-18

Longitude: 118-38-56

Elevation: 50 Feet

Water Year from 10/01/1996 to 09/30/1997

Day	Oct	Nov	Dec	Jan	Feb	Mar	Apr	May	Jun	Jul	Aug	Sep
1												
2												0.05
3												
4												
5												
6												
7												
8												
9			1.66									
10			1.77		0.20							
11												
12			0.32	0.94								
13												
14												
15				1.86								
16												
17												
18												
19												
20												
21												
22		2.00	0.40									
23		0.20	1.98									
24				0.24								
25												0.12
26				1.35								
27				0.24								
28												
29												
30	1.65											
31												
Totals	1.65	2.20	6.13	4.63	0.20	0.00	0.00	0.00	0.00	0.00	0.00	0.17
												Water Year Total: 14.98

NOTE: All Values are in units of inches, unless otherwise specified.

LEGEND: A - Acculated Total
 E - Estimated
 T - Trace, unmeasurable amount of rain

Data Revised: March 2011

PRECIPITATION

DAILY RAINFALL SUMMARY

449B Eaton Wash Dam

Gage Type: Daily Automatic (DPW)

Observation Time: 2400

Latitude 34-10-06

Longitude: 118-05-33

Elevation: 880 Feet

Water Year from 10/01/1996 to 09/30/1997

Day	Oct	Nov	Dec	Jan	Feb	Mar	Apr	May	Jun	Jul	Aug	Sep
1				0.02								
2				0.17								
3				0.83								
4												
5												
6			0.02									
7				T								
8												
9												
10			2.06									
11			2.30									
12			0.66	A	0.17							
13			T	1.84A					0.09			
14				0.15								
15				0.08								T
16				0.84								
17												
18						T						
19												
20												
21		0.22		0.52								
22		2.13	A	0.25								
23		0.46	0.90A	1.00								
24				0.06								
25												0.23
26				1.30								0.55
27			0.07	0.60	0.06							
28			A		0.06							
29			0.50A									
30	0.76											
31	0.41											
Totals	1.17	2.81	6.51	7.66	0.29	0.00	0.00	0.00	0.09	0.00	0.00	0.78
												Water Year Total: 19.31

NOTE: All Values are in units of inches, unless otherwise specified.

LEGEND: A - Acculated Total
 E - Estimated
 T - Trace, unmeasurable amount of rain

Data Revised: March 2011

PRECIPITATION

DAILY RAINFALL SUMMARY

453D Devil's Gate Dam

Gage Type: Daily Automatic (DPW)

Observation Time: 2400

Latitude 34-10-53

Longitude: 118-10-27

Elevation: 980 Feet

Water Year from 10/01/1996 to 09/30/1997

Day	Oct	Nov	Dec	Jan	Feb	Mar	Apr	May	Jun	Jul	Aug	Sep
1				0.03								
2				0.18								
3				0.63								
4												
5												
6			0.22									
7				0.10								
8												
9												
10			1.57									
11			1.62		0.16							
12			0.38	A								
13			T	1.65A					0.14			
14				0.17								
15				0.34								
16				0.75								
17												
18												
19					0.06							
20												
21		0.48		0.50								
22		1.32		0.28								
23			0.71	0.84								
24		A		0.02								
25		0.75A										0.18
26				1.55								0.39
27			0.08	0.39	0.03							
28												
29												
30	0.68		0.41									
31	0.38											
Totals	1.06	2.55	4.99	7.43	0.25	0.00	0.00	0.00	0.14	0.00	0.00	0.57
												Water Year Total: 16.99

NOTE: All Values are in units of inches, unless otherwise specified.

LEGEND: A - Acculated Total
 E - Estimated
 T - Trace, unmeasurable amount of rain

Data Revised: March 2011

PRECIPITATION

DAILY RAINFALL SUMMARY

455B Lancaster-State Hwy Maintenance Sta.

Gage Type: Standard 8 inch diameter (DPW)

Observation Time: 800

Latitude 34-40-57

Longitude: 118-08-02

Elevation: 2395 Feet

Water Year from 10/01/1996 to 09/30/1997

Day	Oct	Nov	Dec	Jan	Feb	Mar	Apr	May	Jun	Jul	Aug	Sep
1												
2												0.23
3							0.05					0.04
4												
5												
6				0.07								
7												
8												
9			0.22									
10			0.43									
11			0.02									
12			T	0.02								
13				0.03								
14				0.05								
15				0.02								
16				0.38								
17												
18												0.08
19												
20												
21												
22		0.27	0.33	0.01						0.01		
23												
24												
25												1.04
26												0.01
27	T		0.01	0.13	T							
28												
29												
30	0.84		0.05									
31												
Totals	0.84	0.27	1.06	0.71	0.00	0.00	0.05	0.00	0.00	0.01	0.00	1.40
												Water Year Total: 4.34

NOTE: All Values are in units of inches, unless otherwise specified.

LEGEND: A - Acculated Total
 E - Estimated
 T - Trace, unmeasurable amount of rain

Data Revised: March 2011

PRECIPITATION

DAILY RAINFALL SUMMARY

462B Los AngelesHillcrest Country Club

Gage Type: Standard 8 inch diameter (DPW)

Observation Time: 800

Latitude 34-02-54

Longitude: 118-24-06

Elevation: 185 Feet

Water Year from 10/01/1996 to 09/30/1997

Day	Oct	Nov	Dec	Jan	Feb	Mar	Apr	May	Jun	Jul	Aug	Sep
1												
2				0.24								
3				0.46								
4												
5												
6			0.29									
7												
8												
9												
10			1.96									
11			1.63		0.05							
12			0.59									
13				1.30								
14				0.12								
15				0.11								
16				1.15								
17												
18					0.40							
19												
20												
21		0.55		0.03								
22		1.35		0.51								
23		0.03	0.55	1.35								
24				0.03								
25												
26				1.25								0.25
27				0.23								
28			1.31									
29												
30	1.33											
31	0.25											
Totals	1.58	1.93	6.33	6.78	0.45	0.00	0.00	0.00	0.00	0.00	0.00	0.25
												Water Year Total: 17.32

NOTE: All Values are in units of inches, unless otherwise specified.

LEGEND: A - Acculated Total
 E - Estimated
 T - Trace, unmeasurable amount of rain

Data Revised: March 2011

PRECIPITATION

DAILY RAINFALL SUMMARY

465C Sepulveda Dam

Gage Type: Daily Automatic (DPW)

Observation Time: 2400

Latitude 34-10-06

Longitude: 118-28-11

Elevation: 683 Feet

Water Year from 10/01/1996 to 09/30/1997

Day	Oct	Nov	Dec	Jan	Feb	Mar	Apr	May	Jun	Jul	Aug	Sep
1				0.01								
2				0.26								0.01
3				0.06								
4												
5												
6			0.32									
7												
8												
9			1.63									
10			1.99		0.02							
11			1.17		0.05							
12			0.06	0.68								
13			0.01	0.43								
14				0.06								
15				1.25								
16												
17					0.06							
18												
19												
20				0.55								
21		0.87		0.13								
22		0.21	0.81	0.23								
23				0.71								
24		0.01										
25				0.29								0.26
26				0.51								
27			0.43	0.07								
28			0.11									
29												
30	1.29											
31			0.01									
Totals	1.29	1.09	6.54	5.24	0.13	0.00	0.00	0.00	0.00	0.00	0.00	0.27
Water Year Total:												14.56

NOTE: All Values are in units of inches, unless otherwise specified.

LEGEND: A - Acculated Total
 E - Estimated
 T - Trace, unmeasurable amount of rain

Data Revised: March 2011

PRECIPITATION

DAILY RAINFALL SUMMARY

482 Los Angeles-U.S.C.

Gage Type: Standard 8 inch diameter (DPW)

Observation Time: 800

Latitude 34-01-14

Longitude: 118-17-15

Elevation: 208 Feet

Water Year from 10/01/1996 to 09/30/1997

Day	Oct	Nov	Dec	Jan	Feb	Mar	Apr	May	Jun	Jul	Aug	Sep
1				0.06								
2				0.20								
3				0.24								
4			0.06									
5			0.05	0.03								
6												
7												
8												
9			1.40									
10			0.60		0.04							
11			1.10									
12			0.20	1.10								
13				0.10								
14				0.03								
15				0.90								0.10
16												
17												
18					0.01							
19												
20												
21		1.70		0.12								
22		0.04		0.28								
23				0.92								
24			0.10									
25			0.30	0.41								
26				0.83								0.40
27			0.50	0.10								
28			0.15									
29												
30	0.90						E		E			
31							E	E	E	E	E	
Totals	0.90	1.74	4.46	5.32	0.05	0.00	0.00	0.00	0.00	0.00	0.00	0.50
												Water Year Total: 12.97

NOTE: All Values are in units of inches, unless otherwise specified.

LEGEND: A - Acculated Total
 E - Estimated
 T - Trace, unmeasurable amount of rain

Data Revised: March 2011

PRECIPITATION

DAILY RAINFALL SUMMARY

488B Kagel Canyon Patrol Station

Gage Type: Standard 8 inch diameter (DPW)

Observation Time: 800

Latitude 34-17-45

Longitude: 118-22-30

Elevation: 1450 Feet

Water Year from 10/01/1996 to 09/30/1997

Day	Oct	Nov	Dec	Jan	Feb	Mar	Apr	May	Jun	Jul	Aug	Sep
1												
2				0.20								
3				1.10								
4				0.07								
5												
6			0.31									
7												
8												
9			1.10									
10			1.40		0.06E							
11					0.18E							
12			0.42	0.83								
13												
14												
15				0.98								
16												
17												
18					0.43E							
19												
20		0.80		0.35								
21		1.10										
22		0.77		0.44								
23				0.56								
24				0.11								
25				0.82								0.50
26				1.33								
27			0.30									
28												
29												
30	0.66											
31												
Totals	0.66	2.67	3.53	6.79	0.67	0.00	0.00	0.00	0.00	0.00	0.00	0.50
												Water Year Total: 14.82

NOTE: All Values are in units of inches, unless otherwise specified.

LEGEND: A - Acculated Total
 E - Estimated
 T - Trace, unmeasurable amount of rain

Data Revised: March 2011

PRECIPITATION

DAILY RAINFALL SUMMARY

491D Pacific Palisades

Gage Type: Standard 8 inch diameter (DPW)

Observation Time: 800

Latitude 34-02-22

Longitude: 118-31-43

Elevation: 293 Feet

Water Year from 10/01/1996 to 09/30/1997

Day	Oct	Nov	Dec	Jan	Feb	Mar	Apr	May	Jun	Jul	Aug	Sep
1												
2				0.83								
3												
4												
5												
6												
7												
8												
9			1.89									
10			0.94		0.03							
11			1.22									
12				1.43								
13												
14												
15												
16												
17				0.93								
18												
19												
20												
21		1.22		1.24								
22				0.27								
23												
24												
25				2.37								1.85
26												
27			1.94									
28												
29												
30												
31												
Totals	0.00	1.22	5.99	7.07	0.03	0.00	0.00	0.00	0.00	0.00	0.00	1.85
												Water Year Total: 16.16

NOTE: All Values are in units of inches, unless otherwise specified.

LEGEND: A - Acculated Total
 E - Estimated
 T - Trace, unmeasurable amount of rain

Data Revised: March 2011

PRECIPITATION

DAILY RAINFALL SUMMARY

492A Chilao - State Highway Maintenance Sta.

Gage Type: Daily Automatic (DPW)

Observation Time: 2400

Latitude 34-19-05

Longitude: 118-00-30

Elevation: 5275 Feet

Water Year from 10/01/1996 to 09/30/1997

Day	Oct	Nov	Dec	Jan	Feb	Mar	Apr	May	Jun	Jul	Aug	Sep
1				0.08								
2				0.39								
3				0.04			0.04					
4				0.04								
5			0.08	0.16								
6			0.03									
7												
8												
9			2.72									
10			1.38		0.07							
11			0.79									
12			0.04									
13												
14				0.19								
15				1.74								
16				0.78								
17				0.04								
18					0.08							
19												
20				0.44	0.04							
21		2.20		0.12								
22		0.48	2.28	0.47								
23		0.04		0.35								
24												
25				1.03								0.67
26				0.55								
27			0.55	0.04								0.47
28			0.08		0.08							
29												
30	2.20											
31												
Totals	2.20	2.72	7.95	6.46	0.27	0.00	0.04	0.00	0.00	0.00	0.00	1.14
												Water Year Total: 20.78

NOTE: All Values are in units of inches, unless otherwise specified.

LEGEND: A - Acculated Total
 E - Estimated
 T - Trace, unmeasurable amount of rain

Data Revised: March 2011

PRECIPITATION

DAILY RAINFALL SUMMARY

497 Claremont-Slaughter

Gage Type: Standard 8 inch diameter (DPW)

Observation Time: 800

Latitude 34-07-35

Longitude: 117-43-55

Elevation: 1350 Feet

Water Year from 10/01/1996 to 09/30/1997

Day	Oct	Nov	Dec	Jan	Feb	Mar	Apr	May	Jun	Jul	Aug	Sep
1												
2				0.23								
3				0.37								
4				0.17								
5				0.54					0.05			
6			0.21						0.08			
7												
8												
9			0.79									
10			0.93		T							
11			1.00		0.04							
12			0.21	1.20								
13			0.01	0.72					0.13			
14				0.27								
15				0.84								0.23
16												
17					0.01							
18												
19												
20				0.26								
21		1.84		0.02						T		
22		1.50	1.27	0.26						T		
23		0.11	0.02	0.63								
24				0.18								
25				0.49								0.61
26				1.91								
27			0.35	0.39	0.22							
28			0.25		0.02							
29			0.01									
30	1.22											
31												
Totals	1.22	3.45	5.05	8.48	0.29	0.00	0.00	0.00	0.26	0.00	0.00	0.84
												Water Year Total: 19.59

NOTE: All Values are in units of inches, unless otherwise specified.

LEGEND: A - Acculated Total
 E - Estimated
 T - Trace, unmeasurable amount of rain

Data Revised: March 2011

PRECIPITATION

DAILY RAINFALL SUMMARY

517B Lewis Ranch

Gage Type: Daily Automatic (DPW)

Observation Time: 2400

Latitude 34-25-12

Longitude: 117-53-11

Elevation: 4615 Feet

Water Year from 10/01/1996 to 09/30/1997

Day	Oct	Nov	Dec	Jan	Feb	Mar	Apr	May	Jun	Jul	Aug	Sep
1												
2				0.13E								
3				0.22E								
4												
5				0.06E								
6												
7												
8												
9												
10			1.34E									
11			0.52E									
12			0.25E	0.28								
13				0.16								
14												
15												
16				0.48								
17				0.16								
18					0.22E							
19												
20				0.08								
21		0.64										
22		0.04	0.73E	0.04								
23			0.27E									
24			0.01E									
25				0.32								1.68
26				0.24								
27			0.22E		0.03E							
28												
29												
30	0.67E											
31	0.27E											
Totals	0.94	0.68	3.34	2.17	0.25	0.00	0.00	0.00	0.00	0.00	0.00	1.68
	Water Year Total:											9.06

NOTE: All Values are in units of inches, unless otherwise specified.

LEGEND: A - Acculated Total
 E - Estimated
 T - Trace, unmeasurable amount of rain

Data Revised: March 2011

PRECIPITATION

DAILY RAINFALL SUMMARY

542 Fairmont

Gage Type: Standard 8 inch diameter

Observation Time: 800

Latitude 34-42-15

Longitude: 118-25-40

Elevation: 3050 Feet

Water Year from 10/01/1996 to 09/30/1997

Day	Oct	Nov	Dec	Jan	Feb	Mar	Apr	May	Jun	Jul	Aug	Sep
1		0.01		0.01								
2				T								0.13
3				0.25								
4												
5				0.12								
6												
7												
8												
9												
10			1.47									
11			0.32									
12			T	0.05				0.03				
13				0.48								
14				T								
15												
16				0.50								
17				0.10								
18												
19												
20				0.05								
21		0.09		0.21								
22		0.88	1.00	0.10								
23		0.02	0.67	0.19								
24				0.01								
25				0.15								0.13
26	0.02		0.01	0.72								0.73
27			0.05	0.14								
28	0.02		0.12			T						
29	T											
30	1.70		T									
31	0.42											
Totals	2.16	1.00	3.64	3.08	0.00	0.00	0.00	0.03	0.00	0.00	0.00	0.99
												Water Year Total: 10.90

NOTE: All Values are in units of inches, unless otherwise specified.

LEGEND: A - Acculated Total
 E - Estimated
 T - Trace, unmeasurable amount of rain

PRECIPITATION

DAILY RAINFALL SUMMARY

564C Llano

Gage Type: Standard 8 inch diameter (DPW)

Observation Time: 800

Latitude 34-29-13

Longitude: 117-50-02

Elevation: 3390 Feet

Water Year from 10/01/1996 to 09/30/1997

Day	Oct	Nov	Dec	Jan	Feb	Mar	Apr	May	Jun	Jul	Aug	Sep
1												
2												
3				T								
4												
5				T								
6				T								
7												
8												
9			0.46									
10			0.25									
11			0.02									
12				0.13								
13				0.02								
14				T								
15				0.48								
16												
17												
18					0.07							
19												
20				0.02								
21		0.28	0.12									
22		0.02										
23												
24												
25												1.19
26												
27						T						
28												
29												
30	0.50		T									
31												
Totals	0.50	0.30	0.85	0.65	0.07	0.00	0.00	0.00	0.00	0.00	0.00	1.19
	Water Year Total:											3.56

NOTE: All Values are in units of inches, unless otherwise specified.

LEGEND: A - Acculated Total
 E - Estimated
 T - Trace, unmeasurable amount of rain

Data Revised: March 2011

PRECIPITATION

DAILY RAINFALL SUMMARY

591B Santa Anita Reservoir

Gage Type: Standard 8 inch diameter

Observation Time: 800

Latitude 34-11-08

Longitude: 118-06-16

Elevation: 1205 Feet

Water Year from 10/01/1996 to 09/30/1997

Day	Oct	Nov	Dec	Jan	Feb	Mar	Apr	May	Jun	Jul	Aug	Sep
1												
2				0.23								
3				0.83								
4							0.01					
5				0.16								
6			0.17									
7												
8												
9												
10			1.95								0.03	
11			2.00		0.22							
12			0.58						0.03			
13				1.75								
14				0.16								
15				0.18								0.01
16				0.73								
17												
18					0.06							
19												
20				0.16								
21		0.72		0.62								
22		2.23	0.47	0.25								
23			0.40	0.92								
24				0.10								
25				0.04								0.43
26				1.28								0.42
27			0.07	0.42	0.14							
28			0.54		0.06							
29												
30	0.94											
31	0.23						T					
Totals	1.17	2.95	6.18	7.83	0.48	0.00	0.01	0.00	0.03	0.00	0.03	0.86
												Water Year Total: 19.54

NOTE: All Values are in units of inches, unless otherwise specified.

LEGEND: A - Acculated Total
 E - Estimated
 T - Trace, unmeasurable amount of rain

Data Revised: March 2011

PRECIPITATION

DAILY RAINFALL SUMMARY

598D Neenach-Check 43-California D.W.R.

Gage Type: Standard 8 inch diameter

Observation Time: 800

Latitude 34-47-40

Longitude: 118-37-15

Elevation: 2965 Feet

Water Year from 10/01/1996 to 09/30/1997

Day	Oct	Nov	Dec	Jan	Feb	Mar	Apr	May	Jun	Jul	Aug	Sep
1												
2												0.08
3				0.28			0.01					
4												
5				0.07								
6				0.01								
7												
8												
9			0.22									
10			0.89									
11												
12				0.14								
13				0.05								
14												
15				0.22								
16				0.15								
17				0.01								
18					0.04							
19							0.01					
20				0.09	0.10							
21		0.19		0.01								
22		0.35	0.64									
23		0.06										
24												
25	0.02			0.01								0.40
26	0.26			0.11								0.05
27	0.01		0.04	0.27								
28	T				0.15							
29												
30	1.03		0.06									
31	T											
Totals	1.32	0.60	1.85	1.42	0.29	0.00	0.02	0.00	0.00	0.00	0.00	0.53
												Water Year Total: 6.03

NOTE: All Values are in units of inches, unless otherwise specified.

LEGEND: A - Acculated Total
 E - Estimated
 T - Trace, unmeasurable amount of rain

Data Revised: March 2011

PRECIPITATION

DAILY RAINFALL SUMMARY

610B Pasadena-City Hall

Gage Type: Standard 8 inch diameter

Observation Time: 800

Latitude 34-08-54

Longitude: 118-08-36

Elevation: 864 Feet

Water Year from 10/01/1996 to 09/30/1997

Day	Oct	Nov	Dec	Jan	Feb	Mar	Apr	May	Jun	Jul	Aug	Sep
1				0.01								
2				0.34								
3				0.48								
4				T								
5												
6				0.07								
7			0.21									
8			T									
9			0.55									
10			1.70									
11			2.00		0.11							
12			0.23	0.76					0.12			
13			0.01	0.67								
14				0.25								
15				1.01								0.01
16				T								
17												
18					0.02							
19												
20				0.40								
21		1.43		0.02								
22		0.95	0.57	0.40								
23		0.04		0.86								
24												
25												
26				1.23								0.69
27			0.36	0.17	0.12							
28			0.23	0.32								
29												
30	1.18											
31												
Totals	1.18	2.42	5.86	6.99	0.25	0.00	0.00	0.00	0.12	0.00	0.00	0.70
												Water Year Total: 17.52

NOTE: All Values are in units of inches, unless otherwise specified.

LEGEND: A - Acculated Total
 E - Estimated
 T - Trace, unmeasurable amount of rain

Data Revised: March 2011

PRECIPITATION

DAILY RAINFALL SUMMARY

612B Pasadena-Chlorine Plant

Gage Type: Standard 8 inch diameter

Observation Time: 800

Latitude 34-12-04

Longitude: 118-09-49

Elevation: 1160 Feet

Water Year from 10/01/1996 to 09/30/1997

Day	Oct	Nov	Dec	Jan	Feb	Mar	Apr	May	Jun	Jul	Aug	Sep
1												
2				0.29								
3				0.91								
4							0.02					
5				0.23								
6			0.22									
7												
8												
9												
10			1.75								0.06	
11			1.93		0.83							
12			0.68						0.03			
13				1.76					0.02			
14				0.17								
15				1.35								
16				0.03								
17												
18					0.21							
19												
20				0.03								
21		1.08		0.55								
22		2.15	0.45	0.36								
23			0.45	0.87								
24				0.05								
25				0.05								0.44
26				1.68								0.05
27			0.15	0.40	0.10							
28			0.50		0.01							
29												
30	1.15											
31												
Totals	1.15	3.23	6.13	8.73	1.15	0.00	0.02	0.00	0.05	0.00	0.06	0.49
												Water Year Total: 21.01

NOTE: All Values are in units of inches, unless otherwise specified.

LEGEND: A - Acculated Total
 E - Estimated
 T - Trace, unmeasurable amount of rain

Data Revised: March 2011

PRECIPITATION

DAILY RAINFALL SUMMARY

613C Pasadena Fire Station

Gage Type: Standard 8 inch diameter

Observation Time: 800

Latitude 34-07-15

Longitude: 118-08-05

Elevation: 779 Feet

Water Year from 10/01/1996 to 09/30/1997

Day	Oct	Nov	Dec	Jan	Feb	Mar	Apr	May	Jun	Jul	Aug	Sep
1												
2				0.22								
3				0.60								
4							T					
5				0.09								
6			0.22									
7												
8												
9												
10			2.34									
11			2.05		0.23							
12			0.45									
13									0.07E			
14				0.19								
15				0.42								0.03E
16				0.67								
17												
18					0.02							
19												
20				0.05								
21		0.74		0.21								
22		1.72	0.29	0.30								
23			0.41	1.05								
24				T								
25				0.07								0.71E
26				1.30								
27			0.15	0.50	0.11							
28			0.51		0.01							
29												
30	1.20											
31	0.03											
Totals	1.23	2.46	6.42	5.67	0.37	0.00	0.00	0.00	0.07	0.00	0.00	0.74
												Water Year Total: 16.96

NOTE: All Values are in units of inches, unless otherwise specified.

LEGEND: A - Acculated Total
 E - Estimated
 T - Trace, unmeasurable amount of rain

Data Revised: March 2011

PRECIPITATION

DAILY RAINFALL SUMMARY

619 San Antonio Canyon-Sierra Power House

Gage Type: Daily Automatic (DPW)

Observation Time: 2400

Latitude 34-12-29

Longitude: 117-40-26

Elevation: 3110 Feet

Water Year from 10/01/1996 to 09/30/1997

Day	Oct	Nov	Dec	Jan	Feb	Mar	Apr	May	Jun	Jul	Aug	Sep
1				0.08								
2				0.40								
3				0.16								
4												
5			0.08	0.32								
6				0.04								
7												
8												
9			2.80									
10			0.80									
11			0.88									
12				1.32								
13				0.68					0.16			
14				0.44					0.04			0.04
15				1.20								0.44
16												
17					0.20							
18												
19												
20				0.92								
21		3.04		0.12								
22		1.36	3.64	0.32						0.12		
23				0.52								
24												
25				1.80								1.56
26				1.00								0.04
27			1.12	0.04	0.44							
28			0.04		0.04							
29												
30	2.40											
31												
Totals	2.40	4.40	9.36	9.36	0.68	0.00	0.00	0.00	0.20	0.12	0.00	2.08
												Water Year Total: 28.60

NOTE: All Values are in units of inches, unless otherwise specified.

LEGEND: A - Acculated Total
 E - Estimated
 T - Trace, unmeasurable amount of rain

Data Revised: March 2011

PRECIPITATION

DAILY RAINFALL SUMMARY

627 San Gabriel Canyon-Power House

Gage Type: Daily Automatic (DPW)

Observation Time: 2400

Latitude 34-09-20

Longitude: 117-54-28

Elevation: 744 Feet

Water Year from 10/01/1996 to 09/30/1997

Day	Oct	Nov	Dec	Jan	Feb	Mar	Apr	May	Jun	Jul	Aug	Sep
1												
2				0.14								
3				1.25								
4				0.13								
5				0.33								
6			0.19						0.33			
7												
8												
9												
10			1.86									
11			2.07		0.17							
12			0.87	0.25	0.01							
13				1.72					0.16			
14				0.21								
15				0.10								0.35
16				1.05								
17												
18					0.11							
19												
20			0.01							0.02		
21		0.54		0.23								
22		3.53	0.31	0.25								
23		0.06	0.69	1.04								
24				0.12		0.01						
25				0.09								0.21
26				2.15								0.56
27			0.10	0.61	0.31							
28			1.05		0.01							
29												
30	1.12											
31	0.90											
Totals	2.02	4.13	7.15	9.67	0.61	0.01	0.00	0.00	0.49	0.02	0.00	1.12
												Water Year Total: 25.22

NOTE: All Values are in units of inches, unless otherwise specified.

LEGEND: A - Acculated Total
 E - Estimated
 T - Trace, unmeasurable amount of rain

Data Revised: March 2011

PRECIPITATION

DAILY RAINFALL SUMMARY

634C Santa Monica

Gage Type: Standard 8 inch diameter (DPW)

Observation Time: 800

Latitude 34-00-43

Longitude: 118-29-27

Elevation: 94 Feet

Water Year from 10/01/1996 to 09/30/1997

Day	Oct	Nov	Dec	Jan	Feb	Mar	Apr	May	Jun	Jul	Aug	Sep
1												
2				0.28								0.02
3				0.37								
4												
5												
6			0.17									
7												
8												
9			0.90									
10			0.73		T							
11			1.80									
12			0.15	0.62								
13				0.63								
14				0.02								
15				0.91								
16												
17					T							
18											T	
19												
20				0.04								
21		1.28										
22		0.62	0.19	0.59								
23				1.05								
24				0.01								
25				0.32								0.17
26					T							
27			0.79	0.15								
28			0.23									
29												
30	1.45		0.36									
31												
Totals	1.45	1.90	5.32	4.99	0.00	0.00	0.00	0.00	0.00	0.00	0.00	0.19
												Water Year Total: 13.85

NOTE: All Values are in units of inches, unless otherwise specified.

LEGEND: A - Acculated Total
 E - Estimated
 T - Trace, unmeasurable amount of rain

Data Revised: March 2011

PRECIPITATION

DAILY RAINFALL SUMMARY

662D Long Beach Airport

Gage Type: Standard 8 inch diameter

Observation Time: 800

Latitude 33-49-00

Longitude: 118-09-00

Elevation: 34 Feet

Water Year from 10/01/1996 to 09/30/1997

Day	Oct	Nov	Dec	Jan	Feb	Mar	Apr	May	Jun	Jul	Aug	Sep
1				0.14								
2				0.15								
3				0.12					T			
4				0.01								
5			0.09	0.10								
6			0.01									
7												
8			0.01									
9			1.52									
10			0.32		0.12							
11			1.14		0.01			T		T		
12			0.02	1.36								
13				0.35					T			
14				0.01								
15				1.15								0.03
16												
17						T		T				
18												
19												
20		0.03		T								
21		1.69		0.36								
22		0.08	0.14	0.24						T		
23				0.85								
24				0.01								T
25	T			0.96								0.44
26				0.35								
27	T		0.78	0.02								
28			0.02									
29												
30	1.48		T									
31	T		0.02									
Totals	1.48	1.80	4.07	6.18	0.13	0.00	0.00	0.00	0.00	0.00	0.00	0.47
Water Year Total:												14.13

NOTE: All Values are in units of inches, unless otherwise specified.

LEGEND: A - Acculated Total
 E - Estimated
 T - Trace, unmeasurable amount of rain

Data Revised: March 2011

PRECIPITATION

DAILY RAINFALL SUMMARY

680B Westwood (U.C.L.A.)

Gage Type: Standard 8 inch diameter

Observation Time: 800

Latitude 34-04-10

Longitude: 118-26-30

Elevation: 430 Feet

Water Year from 10/01/1996 to 09/30/1997

Day	Oct	Nov	Dec	Jan	Feb	Mar	Apr	May	Jun	Jul	Aug	Sep
1												
2				0.38								
3				0.32								
4												
5			T	T								
6			0.27									
7												
8												
9			1.30									
10			1.18		0.03							
11			1.80		0.04							
12			0.14	0.66								
13				1.05								
14				0.08								
15				0.90								
16												
17					0.10							
18												
19	0.02											
20				0.03								
21		1.33		0.13								
22		0.75	0.91	0.53								
23				1.32								
24				T								
25				0.32								
26				1.01								
27			0.89	0.16								
28			0.33									
29												
30	1.77											
31												
Totals	1.79	2.08	6.82	6.89	0.17	0.00	0.00	0.00	0.00	0.00	0.00	0.00
	Water Year Total: 17.75											

NOTE: All Values are in units of inches, unless otherwise specified.

LEGEND: A - Acculated Total
 E - Estimated
 T - Trace, unmeasurable amount of rain

Data Revised: March 2011

PRECIPITATION

DAILY RAINFALL SUMMARY

683B Sunset Ridge

Gage Type: Standard 8 inch diameter (DPW)

Observation Time: 800

Latitude 34-12-53

Longitude: 118-08-47

Elevation: 2110 Feet

Water Year from 10/01/1996 to 09/30/1997

Day	Oct	Nov	Dec	Jan	Feb	Mar	Apr	May	Jun	Jul	Aug	Sep
1				0.25								
2				0.27								
3				0.97								
4												
5				0.29								
6			0.21									
7												
8												
9												
10			1.60									
11			1.80		1.18							
12			0.60	0.17								
13				1.62					0.70			
14				0.20					0.10			
15				0.40								T
16				0.60								
17												
18					0.19							
19												
20				T								
21		0.84		0.56								
22		2.30	0.90	0.30								
23				0.80								
24				0.12								
25												0.26
26				1.50								0.66
27			0.15	0.30	0.20							
28			0.44		T							
29												
30	0.92		0.06									
31	0.24											
Totals	1.16	3.14	5.76	8.35	1.57	0.00	0.00	0.00	0.80	0.00	0.00	0.92
											Water Year Total:	21.70

NOTE: All Values are in units of inches, unless otherwise specified.

LEGEND: A - Acculated Total
 E - Estimated
 T - Trace, unmeasurable amount of rain

Data Revised: March 2011

PRECIPITATION

DAILY RAINFALL SUMMARY

694G Big Tujunga Canyon-Cmp

Gage Type: Daily Automatic (DPW)

Observation Time: 2400

Latitude 34-17-22

Longitude: 118-17-17

Elevation: 1525 Feet

Water Year from 10/01/1996 to 09/30/1997

Day	Oct	Nov	Dec	Jan	Feb	Mar	Apr	May	Jun	Jul	Aug	Sep
1				0.04								
2				0.55								
3				0.12								
4												
5			0.08	0.04								
6			0.04									
7												
8												
9			1.18									
10			0.75		0.71							
11			0.43									
12			0.04	0.86								
13				0.28								
14				0.08								
15				0.78								
16												
17					0.32							
18												
19												
20				0.24								
21		1.85		0.16								
22		0.78	2.09	0.23								
23				0.20								
24												
25				0.67								0.39
26				0.43								
27			0.08									
28			0.08									
29	0.08											
30	0.75											
31												
Totals	0.83	2.63	4.77	4.68	1.03	0.00	0.00	0.00	0.00	0.00	0.00	0.39
												Water Year Total: 14.33

NOTE: All Values are in units of inches, unless otherwise specified.

LEGEND: A - Acculated Total
 E - Estimated
 T - Trace, unmeasurable amount of rain

Data Revised: March 2011

PRECIPITATION

DAILY RAINFALL SUMMARY

695B Tujunga Canyon-Vogel Flat

Gage Type: Standard 8 inch diameter (DPW)

Observation Time: 800

Latitude 34-17-12

Longitude: 118-13-32

Elevation: 1850 Feet

Water Year from 10/01/1996 to 09/30/1997

Day	Oct	Nov	Dec	Jan	Feb	Mar	Apr	May	Jun	Jul	Aug	Sep
1												
2												
3							0.03					
4												
5				0.90					0.04			
6			0.12									
7												
8												
9												
10			2.78									
11			2.33		0.28							
12				0.04								
13				1.55					0.16			
14				0.30								
15				0.35								
16				0.75								
17												
18					0.40							
19												
20				T								
21		0.61		0.43								
22		2.09	1.90	0.25						T		
23		0.33		0.92						0.02		
24				0.11								
25				0.08								
26				1.46								0.84
27			0.48	0.28	0.06							
28												
29												
30	1.48											
31	0.68											
Totals	2.16	3.03	7.61	7.42	0.74	0.00	0.03	0.00	0.20	0.02	0.00	0.84
												Water Year Total: 22.05

NOTE: All Values are in units of inches, unless otherwise specified.

LEGEND: A - Acculated Total
 E - Estimated
 T - Trace, unmeasurable amount of rain

Data Revised: March 2011

PRECIPITATION

DAILY RAINFALL SUMMARY

716 Los Angeles-Ducommun St.

Gage Type: Standard 8 inch diameter

Observation Time: 800

Latitude 34-03-09

Longitude: 118-14-13

Elevation: 306 Feet

Water Year from 10/01/1996 to 09/30/1997

Day	Oct	Nov	Dec	Jan	Feb	Mar	Apr	May	Jun	Jul	Aug	Sep
1				0.01								
2				0.16								
3				0.36								
4												
5				0.02								
6			0.14	0.01								
7												
8												
9												
10			1.91									
11			1.21		0.03							
12			0.41									
13			0.04	1.41								
14				0.07								
15				0.02								0.20
16				1.03								
17				T								
18					0.02							
19												
20												
21		0.39		0.06								
22		1.45		0.29								
23		0.03	0.51	1.27								
24												
25												
26				1.13								0.51
27			0.02	0.20	0.01							
28			0.27									
29												
30	0.86											
31	0.28											
Totals	1.14	1.87	4.51	6.04	0.06	0.00	0.00	0.00	0.00	0.00	0.00	0.71
												Water Year Total: 14.33

NOTE: All Values are in units of inches, unless otherwise specified.

LEGEND: A - Acculated Total
 E - Estimated
 T - Trace, unmeasurable amount of rain

Data Revised: March 2011

PRECIPITATION

DAILY RAINFALL SUMMARY

726C Angeles Crest Guard Station

Gage Type: Standard 8 inch diameter (DPW)

Observation Time: 800

Latitude 34-14-01

Longitude: 118-11-04

Elevation: 2300 Feet

Water Year from 10/01/1996 to 09/30/1997

Day	Oct	Nov	Dec	Jan	Feb	Mar	Apr	May	Jun	Jul	Aug	Sep
1				0.05E								
2				0.36E								
3				0.42E								
4												
5				0.19E								
6			0.33									
7												
8												
9												
10			2.38									
11			2.60		0.56E							
12			0.70	0.20E								
13				1.13E					0.40E			
14				0.18					0.06E			
15				0.39E								
16				0.65E	0.10E							
17					0.06E							
18												
19												
20				1.00								
21				0.29								
22		4.35	2.06E	1.00								
23			0.22E	1.12								
24												
25				1.65								
26				1.88								0.80
27			0.34E	1.05	0.19E							
28			0.25E		0.01E							
29			0.03E									
30	2.08											
31												
Totals	2.08	4.35	8.91	11.56	0.92	0.00	0.00	0.00	0.46	0.00	0.00	0.80
												Water Year Total: 29.08

NOTE: All Values are in units of inches, unless otherwise specified.

LEGEND: A - Acculated Total
 E - Estimated
 T - Trace, unmeasurable amount of rain

Data Revised: March 2011

PRECIPITATION

DAILY RAINFALL SUMMARY

734C Los Angeles International Airport

Gage Type: Standard 8 inch diameter

Observation Time: 800

Latitude 33-56-25

Longitude: 118-23-44

Elevation: 105 Feet

Water Year from 10/01/1996 to 09/30/1997

Day	Oct	Nov	Dec	Jan	Feb	Mar	Apr	May	Jun	Jul	Aug	Sep
1				0.14								
2		T		0.43								T
3				0.10								
4												
5			0.11	0.03								
6			T									
7												
8												
9			1.37									
10			0.80									
11			0.68									
12			0.05	1.20								
13				0.07								
14				0.01								
15				0.79								T
16												
17		T										T
18												
19												
20		0.08		T								
21		1.45		0.46								
22		0.40	0.18	0.23								
23				0.30								
24				T								
25				0.92								0.27
26			T	0.44								
27			1.50	T								
28												
29	0.01											
30	1.45		0.01									
31			0.04									
Totals	1.46	1.93	4.74	5.12	0.00	0.00	0.00	0.00	0.00	0.00	0.00	0.27
Water Year Total:												13.52

NOTE: All Values are in units of inches, unless otherwise specified.

LEGEND: A - Acculated Total
 E - Estimated
 T - Trace, unmeasurable amount of rain

Data Revised: March 2011

PRECIPITATION

DAILY RAINFALL SUMMARY

735H Bell Canyon

Gage Type: Daily Automatic (DPW)

Observation Time: 2400

Latitude 34-11-40

Longitude: 118-39-23

Elevation: 895 Feet

Water Year from 10/01/1996 to 09/30/1997

Day	Oct	Nov	Dec	Jan	Feb	Mar	Apr	May	Jun	Jul	Aug	Sep
1				0.16								
2				0.32								
3												
4												
5			0.12									
6			0.08									
7												
8												
9			2.01									
10			1.34		0.04							
11			0.86		0.04							
12			0.08	0.75								
13				0.15								
14				0.08								
15				0.63								
16												
17					0.20							
18												0.12
19												
20				0.36								
21		0.67		0.31								
22		0.08	1.06	0.43								
23				0.24								
24												
25				0.51								0.19
26				0.43								
27			0.52	0.04								
28												
29	0.30											
30	1.20											
31												
Totals	1.50	0.75	6.07	4.41	0.28	0.00	0.00	0.00	0.00	0.00	0.00	0.31
												Water Year Total: 13.32

NOTE: All Values are in units of inches, unless otherwise specified.

LEGEND: A - Acculated Total
 E - Estimated
 T - Trace, unmeasurable amount of rain

Data Revised: March 2011

PRECIPITATION

DAILY RAINFALL SUMMARY

742C San Gabriel Fire Department

Gage Type: Standard 8 inch diameter

Observation Time: 800

Latitude 34-06-11

Longitude: 118-05-56

Elevation: 445 Feet

Water Year from 10/01/1996 to 09/30/1997

Day	Oct	Nov	Dec	Jan	Feb	Mar	Apr	May	Jun	Jul	Aug	Sep
1				T								
2				0.30								
3				0.53								
4												
5				0.03								
6			0.16									
7												
8												
9			0.85									
10			1.12									
11			1.36									
12			0.25									
13			T	0.65					0.10			
14				0.16								
15				1.04								0.05
16												
17						T						
18												
19												
20				0.05								
21		1.40	0.72	0.05								
22		0.87		0.30								
23		0.02		0.98								
24				0.02								
25				0.47E								0.78
26				1.08E								
27			0.40	0.15E	0.07							
28												
29												
30	1.12											
31												
Totals	1.12	2.29	4.86	5.81	0.07	0.00	0.00	0.00	0.10	0.00	0.00	0.83
												Water Year Total: 15.08

NOTE: All Values are in units of inches, unless otherwise specified.

LEGEND: A - Acculated Total
 E - Estimated
 T - Trace, unmeasurable amount of rain

Data Revised: March 2011

PRECIPITATION

DAILY RAINFALL SUMMARY

749B Burbank Valley Pump Plant

Gage Type: Standard 8 inch diameter

Observation Time: 800

Latitude 34-11-11

Longitude: 118-20-54

Elevation: 655 Feet

Water Year from 10/01/1996 to 09/30/1997

Day	Oct	Nov	Dec	Jan	Feb	Mar	Apr	May	Jun	Jul	Aug	Sep
1				0.02								0.01
2				0.09								
3				0.33								
4												
5				0.04								
6			0.04									
7												
8												
9												
10			2.47									
11			1.09									
12			0.20									
13				1.18								
14				0.06								
15				0.17								
16				0.84								
17				0.03	0.45							
18												
19												
20				T								
21		0.41		0.52								
22		1.02	0.08	0.26								
23		T	0.43	0.53								
24												
25				0.10								0.01
26				0.58								0.30
27			0.10	0.14								
28			0.27									
29			T									
30	0.73											
31	0.32						E					
Totals	1.05	1.43	4.68	4.89	0.45	0.00	0.00	0.00	0.00	0.00	0.00	0.32
											Water Year Total:	12.82

NOTE: All Values are in units of inches, unless otherwise specified.

LEGEND: A - Acculated Total
 E - Estimated
 T - Trace, unmeasurable amount of rain

Data Revised: March 2011

PRECIPITATION

DAILY RAINFALL SUMMARY

750B Palmdale-F.A.A. Airport

Gage Type: Standard 8 inch diameter (DPW)

Observation Time: 800

Latitude 34-37-20

Longitude: 118-05-00

Elevation: 2528 Feet

Water Year from 10/01/1996 to 09/30/1997

Day	Oct	Nov	Dec	Jan	Feb	Mar	Apr	May	Jun	Jul	Aug	Sep
1												
2												
3				0.08			0.15					T
4												T
5												T
6												
7												
8												
9												
10			0.83									
11			0.05									
12			T									
13				0.06								
14				T								
15				T								
16				0.41								
17												
18					0.08							T
19												0.02
20												
21				0.01								
22		0.35	0.29	T								
23				0.02								
24												
25												0.18
26			0.02	0.09								0.87
27				0.03								
28	T					T						
29												
30	0.30		T									
31	0.55											
Totals	0.85	0.35	1.19	0.70	0.08	0.00	0.15	0.00	0.00	0.00	0.00	1.07
												Water Year Total: 4.39

NOTE: All Values are in units of inches, unless otherwise specified.

LEGEND: A - Acculated Total
 E - Estimated
 T - Trace, unmeasurable amount of rain

Data Revised: March 2011

PRECIPITATION

DAILY RAINFALL SUMMARY

794 Lower Franklin Reservoir

Gage Type: Standard 8 inch diameter

Observation Time: 800

Latitude 34-05-43

Longitude: 118-24-40

Elevation: 585 Feet

Water Year from 10/01/1996 to 09/30/1997

Day	Oct	Nov	Dec	Jan	Feb	Mar	Apr	May	Jun	Jul	Aug	Sep
1												
2				0.26								
3				0.36								
4												
5				0.01								
6			0.19									
7			T									
8												
9												
10			2.20									
11			1.46		0.07							
12			0.26	0.05								
13				1.28								
14				0.08								
15				0.81								
16				0.05								
17												
18					0.19							
19												
20				0.04								
21		0.41		T								
22		1.32	0.03	0.52								
23		0.13	0.95	0.99								
24				0.01								
25				0.04								0.21E
26				0.86								0.09E
27			0.62	0.30								
28			0.35									
29												
30	1.35											
31												
Totals	1.35	1.86	6.06	5.66	0.26	0.00	0.00	0.00	0.00	0.00	0.00	0.30
												Water Year Total: 15.49

NOTE: All Values are in units of inches, unless otherwise specified.

LEGEND: A - Acculated Total
 E - Estimated
 T - Trace, unmeasurable amount of rain

Data Revised: March 2011

PRECIPITATION

DAILY RAINFALL SUMMARY

795 Pasadena-Jourdan

Gage Type: Standard 8 inch diameter

Observation Time: 800

Latitude 34-08-52

Longitude: 118-05-14

Elevation: 705 Feet

Water Year from 10/01/1996 to 09/30/1997

Day	Oct	Nov	Dec	Jan	Feb	Mar	Apr	May	Jun	Jul	Aug	Sep
1												
2				0.17								
3				0.71								
4							T					
5				0.10								
6			0.17									
7												
8												
9												
10			2.20									
11			1.85		0.15							
12			0.50						0.01			
13				1.52								
14				0.22								
15				0.33								0.05E
16				0.75								
17												
18						T						
19												
20				0.08								
21		0.68		0.22								
22		1.82	0.35	0.30								
23			0.40	0.91								
24				0.34								
25				0.06								0.57E
26				1.31								
27			0.14		0.04							
28			0.51		0.06							
29												
30	1.03											
31	0.21											
Totals	1.24	2.50	6.12	7.02	0.25	0.00	0.00	0.00	0.01	0.00	0.00	0.62
												Water Year Total: 17.76

NOTE: All Values are in units of inches, unless otherwise specified.

LEGEND: A - Acculated Total
 E - Estimated
 T - Trace, unmeasurable amount of rain

Data Revised: March 2011

PRECIPITATION

DAILY RAINFALL SUMMARY

797 De Soto Reservoir

Gage Type: Standard 8 inch diameter

Observation Time: 800

Latitude 34-16-17

Longitude: 118-35-12

Elevation: 1127 Feet

Water Year from 10/01/1996 to 09/30/1997

Day	Oct	Nov	Dec	Jan	Feb	Mar	Apr	May	Jun	Jul	Aug	Sep
1												
2												
3				1.06								
4												
5												
6			0.60	0.02								
7												
8												
9			0.35									
10			1.99									
11					0.19							
12												
13			3.20	0.79								
14				0.03								
15				0.68								
16				0.05								
17												
18					0.24							0.14
19												
20												
21				0.40								
22		2.17		0.63						T		
23			1.97	0.89								
24												
25		0.05										
26												0.26
27			0.45	1.92								
28												
29	A											
30	1.19A		0.57									
31			0.01									
Totals	1.19	2.22	9.14	6.47	0.43	0.00	0.00	0.00	0.00	0.00	0.00	0.40
												Water Year Total: 19.85

NOTE: All Values are in units of inches, unless otherwise specified.

LEGEND: A - Acculated Total
 E - Estimated
 T - Trace, unmeasurable amount of rain

Data Revised: March 2011

PRECIPITATION

DAILY RAINFALL SUMMARY

801B Magic Mountain

Gage Type: Standard 8 inch diameter (DPW)

Observation Time: 800

Latitude 34-23-18

Longitude: 118-19-27

Elevation: 4720 Feet

Water Year from 10/01/1996 to 09/30/1997

Day	Oct	Nov	Dec	Jan	Feb	Mar	Apr	May	Jun	Jul	Aug	Sep
1				0.04								
2				0.26								
3				0.62								
4												
5				0.16							0.02	
6			0.10									
7												
8												
9			1.45									
10			2.50									
11			1.17		0.10							
12			0.28	A								
13				1.15A					0.05			
14				0.08								
15				1.15								
16												
17												
18												
19												
20				0.45	0.20							
21		1.46		0.13								
22		2.10	3.94	0.32								
23				1.13								
24												
25				0.99								0.66
26				2.28								
27			0.90	0.06								
28			0.15									
29												
30	1.82											
31			0.02									
Totals	1.82	3.56	10.51	8.82	0.30	0.00	0.00	0.00	0.05	0.00	0.02	0.66
												Water Year Total: 25.74

NOTE: All Values are in units of inches, unless otherwise specified.

LEGEND: A - Acculated Total
 E - Estimated
 T - Trace, unmeasurable amount of rain

Data Revised: March 2011

PRECIPITATION

DAILY RAINFALL SUMMARY

802C Eagle Rock Reservoir

Gage Type: Standard 8 inch diameter

Observation Time: 800

Latitude 34-08-47

Longitude: 118-11-20

Elevation: 970 Feet

Water Year from 10/01/1996 to 09/30/1997

Day	Oct	Nov	Dec	Jan	Feb	Mar	Apr	May	Jun	Jul	Aug	Sep
1				T								
2				0.16								0.03
3				0.56								
4				T								
5				T								
6			0.14									
7												
8												
9												
10			1.62									
11			1.35		0.05							
12			0.45	0.03								
13				1.32					T			
14				0.12								
15				0.56								
16			T	0.63								
17												T
18					0.05							
19	T			0.03								
20				0.33								
21		0.60		0.32								
22		1.45	0.50	0.94								
23		T	0.50	T								
24				0.11								
25												0.55
26				1.11								
27			0.12	0.43	T							
28			0.55		0.02							
29			T									
30	0.75		0.01									
31	0.24											
Totals	0.99	2.05	5.24	6.65	0.12	0.00	0.00	0.00	0.00	0.00	0.00	0.58
												Water Year Total: 15.63

NOTE: All Values are in units of inches, unless otherwise specified.

LEGEND: A - Acculated Total
 E - Estimated
 T - Trace, unmeasurable amount of rain

Data Revised: March 2011

PRECIPITATION

DAILY RAINFALL SUMMARY

807 Ascot Reservoir

Gage Type: Standard 8 inch diameter

Observation Time: 800

Latitude 34-04-46

Longitude: 118-11-14

Elevation: 620 Feet

Water Year from 10/01/1996 to 09/30/1997

Day	Oct	Nov	Dec	Jan	Feb	Mar	Apr	May	Jun	Jul	Aug	Sep
1				0.01								
2				0.22								
3				0.46								
4												
5				T								
6												
7												
8												
9												
10			2.02									
11			1.52		0.10							
12			0.54									
13				1.06					T			
14				0.13								
15												
16			T	0.70								
17												
18				0.05								
19				0.25								
20				0.28								
21		0.08		1.21								
22		1.13	0.10	T								
23		T	T	0.06								
24		T										
25												0.59
26				1.33								
27			T	0.38								
28			0.74		0.02							
29												
30	1.14		0.01									
31	0.16											
Totals	1.30	1.21	4.93	6.14	0.12	0.00	0.00	0.00	0.00	0.00	0.00	0.59
											Water Year Total:	14.29

NOTE: All Values are in units of inches, unless otherwise specified.

LEGEND: A - Acculated Total
 E - Estimated
 T - Trace, unmeasurable amount of rain

Data Revised: March 2011

PRECIPITATION

DAILY RAINFALL SUMMARY

1011B Palos Verdes Fire Station

Gage Type: Standard 8 inch diameter (DPW)

Observation Time: 800

Latitude 33-45-25

Longitude: 118-21-11

Elevation: 1275 Feet

Water Year from 10/01/1996 to 09/30/1997

Day	Oct	Nov	Dec	Jan	Feb	Mar	Apr	May	Jun	Jul	Aug	Sep
1				0.03								
2				0.40								
3				0.47								
4												
5			0.06	0.57								
6			0.18									
7												
8												
9			1.62									
10			2.68		0.12							
11			0.44									
12				0.70								
13				0.40								
14												
15				1.26								
16												
17												
18												
19												
20		0.37										
21		1.21		0.73								
22		1.17	0.08	0.97								
23												
24				0.05								
25				1.78								0.46
26				0.24								
27			1.35									
28			0.30									
29												
30	0.93											
31												
Totals	0.93	2.75	6.71	7.60	0.12	0.00	0.00	0.00	0.00	0.00	0.00	0.46
												Water Year Total: 18.57

NOTE: All Values are in units of inches, unless otherwise specified.

LEGEND: A - Acculated Total
 E - Estimated
 T - Trace, unmeasurable amount of rain

Data Revised: March 2011

PRECIPITATION

DAILY RAINFALL SUMMARY

1012B Castaic Junction

Gage Type: Standard 8 inch diameter (DPW)

Observation Time: 800

Latitude 34-26-18

Longitude: 118-36-43

Elevation: 1005 Feet

Water Year from 10/01/1996 to 09/30/1997

Day	Oct	Nov	Dec	Jan	Feb	Mar	Apr	May	Jun	Jul	Aug	Sep
1												
2												
3												
4												
5												
6												
7												
8												
9												
10			2.49									
11												
12			0.67	0.66								
13												
14												
15				1.16								
16												
17					0.14							
18												
19												
20												
21				0.42								
22			2.35	0.02								
23		1.33										
24				0.56								
25												0.20
26												
27												
28												
29												
30	0.15											
31												
Totals	0.15	1.33	5.51	2.82	0.14	0.00	0.00	0.00	0.00	0.00	0.00	0.20
	Water Year Total: 10.15											

NOTE: All Values are in units of inches, unless otherwise specified.

LEGEND: A - Acculated Total
 E - Estimated
 T - Trace, unmeasurable amount of rain

Data Revised: March 2011

PRECIPITATION

DAILY RAINFALL SUMMARY

1020B Padua Hills Patrol Station

Gage Type: Standard 8 inch diameter (DPW)

Observation Time: 800

Latitude 34-08-52

Longitude: 117-41-55

Elevation: 1800 Feet

Water Year from 10/01/1996 to 09/30/1997

Day	Oct	Nov	Dec	Jan	Feb	Mar	Apr	May	Jun	Jul	Aug	Sep
1												
2				0.23								
3				1.01								
4												
5				0.16								
6			0.25									
7												
8												
9												
10			1.70									
11			1.37		0.06							
12				0.66								
13				1.50								
14				0.33								
15				0.98								0.12
16												
17					0.04							
18												
19												
20				0.29								
21		1.25		0.02								
22		2.22	1.63	0.31								
23				0.11								
24				0.82								
25				0.20								
26				2.95								0.64
27			0.23		0.22							
28			0.51		0.02							
29												
30	1.33											
31												
Totals	1.33	3.47	5.69	9.57	0.34	0.00	0.00	0.00	0.00	0.00	0.00	0.76
Water Year Total:												21.16

NOTE: All Values are in units of inches, unless otherwise specified.

LEGEND: A - Acculated Total
 E - Estimated
 T - Trace, unmeasurable amount of rain

Data Revised: March 2011

PRECIPITATION

DAILY RAINFALL SUMMARY

1025 Malibu Beach-Dunne

Gage Type: Standard 8 inch diameter (DPW)

Observation Time: 800

Latitude 34-02-00

Longitude: 118-42-42

Elevation: 160 Feet

Water Year from 10/01/1996 to 09/30/1997

Day	Oct	Nov	Dec	Jan	Feb	Mar	Apr	May	Jun	Jul	Aug	Sep
1				0.05								
2				0.33								0.05
3				0.46								
4												
5												
6			0.08									
7												
8												
9			1.08									
10			0.23		0.20							
11			1.20									
12			0.17	0.68								
13				0.73								
14												
15				0.83								
16												
17					0.08							
18		T										
19												
20				0.11								
21		1.32		0.40								
22		0.82	0.29	0.08					0.01			
23				1.23								
24				0.05								
25				0.39								0.12
26				0.73								
27			0.28	0.05								
28			0.09									
29												
30	0.84											
31												
Totals	0.84	2.14	3.42	6.12	0.28	0.00	0.00	0.00	0.01	0.00	0.00	0.17
												Water Year Total: 12.98

NOTE: All Values are in units of inches, unless otherwise specified.

LEGEND: A - Acculated Total
 E - Estimated
 T - Trace, unmeasurable amount of rain

Data Revised: March 2011

PRECIPITATION

DAILY RAINFALL SUMMARY

1029C Tujunga-Mill Creek Summit ranger station

Gage Type: Standard recording gage (DPW)

Observation Time: 800

Latitude 34-23-22

Longitude: 118-04-49

Elevation: 4990 Feet

Water Year from 10/01/1996 to 09/30/1997

Day	Oct	Nov	Dec	Jan	Feb	Mar	Apr	May	Jun	Jul	Aug	Sep
1												
2												
3				1.22			0.30					
4												0.10
5												
6			0.08	0.10								
7												
8												
9												
10			1.85									
11			0.66									
12			0.34									
13												
14				0.11E								
15				1.25E								
16				0.58E								
17												
18					0.27							
19				0.20E								
20				0.14E								
21		1.00		0.36E								
22				0.33E								
23			2.22	0.83E								
24												
25				0.75E								0.45
26				0.36E								1.21
27				0.09E	0.03							
28	0.10				0.07							
29												
30	0.97		0.32									
31	0.82											
Totals	1.89	1.00	5.47	6.32	0.37	0.00	0.30	0.00	0.00	0.00	0.00	1.76
												Water Year Total: 17.11

NOTE: All Values are in units of inches, unless otherwise specified.

LEGEND: A - Acculated Total
 E - Estimated
 T - Trace, unmeasurable amount of rain

Data Revised: March 2011

PRECIPITATION

DAILY RAINFALL SUMMARY

1037 Arcadia-Arboretum

Gage Type: Standard 8 inch diameter (DPW)

Observation Time: 800

Latitude 34-08-48

Longitude: 118-02-59

Elevation: 565 Feet

Water Year from 10/01/1996 to 09/30/1997

Day	Oct	Nov	Dec	Jan	Feb	Mar	Apr	May	Jun	Jul	Aug	Sep
1				0.17								
2				0.14								
3		T		0.72			T					
4												
5				0.13								
6												
7												
8												
9			0.62									
10			1.80									
11			2.20		0.10							
12			0.25	0.86					T			
13				0.66					0.25			
14				0.20								
15				0.93								0.08
16				0.01							T	
17								T				T
18												T
19												
20				0.23								
21		1.57		0.01								
22		1.26	0.85	0.26						T		
23		0.04		0.99								
24				0.08								
25				0.20								1.00
26				1.05								T
27			0.26	0.62	0.13							
28			0.43		0.02							
29												
30	1.27		T									
31			T									
Totals	1.27	2.87	6.41	7.26	0.25	0.00	0.00	0.00	0.25	0.00	0.00	1.08
											Water Year Total:	19.39

NOTE: All Values are in units of inches, unless otherwise specified.

LEGEND: A - Acculated Total
 E - Estimated
 T - Trace, unmeasurable amount of rain

Data Revised: March 2011

PRECIPITATION

DAILY RAINFALL SUMMARY

1041B Santa Fe Dam

Gage Type: Standard 8 inch diameter (DPW)

Observation Time: 800

Latitude 34-07-04

Longitude: 117-58-24

Elevation: 427 Feet

Water Year from 10/01/1996 to 09/30/1997

Day	Oct	Nov	Dec	Jan	Feb	Mar	Apr	May	Jun	Jul	Aug	Sep
1												
2				0.31								
3				0.75								
4												
5				0.06								
6			0.19									
7												
8												
9			1.03									
10			0.45									
11			1.54		0.09							
12			0.21	0.78								
13				0.62								
14				0.21								
15				1.14								0.34
16				0.01								
17												
18												
19												
20				0.06								
21		2.01		0.04								
22		1.09	0.68	0.34								
23		0.01		0.77								
24												
25				0.42								0.74
26				1.72								
27			0.33	0.41	0.05							
28			0.42									
29												
30	1.49											
31												
Totals	1.49	3.11	4.85	7.64	0.14	0.00	0.00	0.00	0.00	0.00	0.00	1.08
												Water Year Total: 18.31

NOTE: All Values are in units of inches, unless otherwise specified.

LEGEND: A - Acculated Total
 E - Estimated
 T - Trace, unmeasurable amount of rain

Data Revised: March 2011

PRECIPITATION

DAILY RAINFALL SUMMARY

1046B Santa Anita Cyn-Chantry flat

Gage Type: Standard 8 inch diameter (DPW)

Observation Time: 800

Latitude 34-11-46

Longitude: 118-01-20

Elevation: 2175 Feet

Water Year from 10/01/1996 to 09/30/1997

Day	Oct	Nov	Dec	Jan	Feb	Mar	Apr	May	Jun	Jul	Aug	Sep
1				0.02								
2				0.29								
3				1.46								
4				0.06								
5				0.38			0.11					
6			0.34						0.38			
7												
8												
9												
10			2.73				0.02					
11			4.05		0.25							
12			0.89	0.21					0.03			
13				2.39					0.50			
14				0.23					0.23			
15				0.34								0.04
16				1.05								
17												
18												
19												
20												
21		0.97		0.84								
22		3.86	0.87	0.36						0.07		
23		0.19	1.79	1.81		0.03				0.02		
24				0.25								
25				0.13								0.28
26				2.44								0.86
27			0.15	0.35	0.40							
28			1.37		0.05							
29			0.09									
30	1.55											
31	0.74											
Totals	2.29	5.02	12.28	12.61	0.70	0.03	0.13	0.00	1.14	0.09	0.00	1.18
												Water Year Total: 35.47

NOTE: All Values are in units of inches, unless otherwise specified.

LEGEND: A - Acculated Total
 E - Estimated
 T - Trace, unmeasurable amount of rain

Data Revised: March 2011

PRECIPITATION

DAILY RAINFALL SUMMARY

1050F Old Topanga Canyon

Gage Type: Standard 8 inch diameter (DPW)

Observation Time: 800

Latitude 34-06-24

Longitude: 118-37-43

Elevation: 1000 Feet

Water Year from 10/01/1996 to 09/30/1997

Day	Oct	Nov	Dec	Jan	Feb	Mar	Apr	May	Jun	Jul	Aug	Sep
1												
2				0.35								0.09
3				0.25								
4												
5				0.06								
6			0.21									
7												
8												
9												
10			3.10									
11			1.94		0.19							
12			0.30									
13				1.06								
14				0.09								
15				1.20								
16				0.27								
17												
18					0.19							
19												
20		0.07	0.25									
21		0.41	1.50	0.43								
22		1.16		0.50								
23		0.08		1.32								
24				0.17								
25												
26				1.16								0.38
27			0.27	0.09								
28			1.10									
29												
30	3.35											
31												
Totals	3.35	1.72	8.67	6.95	0.38	0.00	0.00	0.00	0.00	0.00	0.00	0.47
												Water Year Total: 21.54

NOTE: All Values are in units of inches, unless otherwise specified.

LEGEND: A - Acculated Total
 E - Estimated
 T - Trace, unmeasurable amount of rain

Data Revised: March 2011

PRECIPITATION

DAILY RAINFALL SUMMARY

1051B Canoga Park-Pierce College

Gage Type: Standard 8 inch diameter

Observation Time: 800

Latitude 34-10-51

Longitude: 118-34-23

Elevation: 800 Feet

Water Year from 10/01/1996 to 09/30/1997

Day	Oct	Nov	Dec	Jan	Feb	Mar	Apr	May	Jun	Jul	Aug	Sep
1				0.02								
2				0.31								
3				0.08								
4				T								
5			0.05									
6			0.30									
7												
8												
9			1.10									
10			1.41		0.02							
11			1.48		0.07							
12			0.17									
13				1.03								
14				0.08								
15				0.83								
16												
17					0.18							
18												0.01
19		T										
20				0.30								
21		1.25		0.17								
22		0.36		0.28								
23			0.70	0.52								
24		T		0.03								
25				0.37								0.35
26				0.48								
27			0.36	0.09								
28			0.03	T								
29												
30	1.27		T									
31			0.02									
Totals	1.27	1.61	5.62	4.59	0.27	0.00	0.00	0.00	0.00	0.00	0.00	0.36
												Water Year Total: 13.72

NOTE: All Values are in units of inches, unless otherwise specified.

LEGEND: A - Acculated Total
 E - Estimated
 T - Trace, unmeasurable amount of rain

Data Revised: August 2012

PRECIPITATION

DAILY RAINFALL SUMMARY

1058B Palmdale

Gage Type: Standard 8 inch diameter

Observation Time: 800

Latitude 34-35-17

Longitude: 118-05-31

Elevation: 2595 Feet

Water Year from 10/01/1996 to 09/30/1997

Day	Oct	Nov	Dec	Jan	Feb	Mar	Apr	May	Jun	Jul	Aug	Sep
1												
2												0.06
3				0.14			0.14					
4												0.04
5				0.02								0.08
6												
7												
8												
9			0.24									
10			0.62									
11			0.02									
12				0.05								
13												
14				0.01								
15				0.49								
16				0.01								
17					0.05							
18												0.02
19												
20				0.04								
21		0.36										
22		0.05										
23			0.29							T		
24												
25				0.03								0.98
26												0.02
27			0.02	0.02								
28	T											
29												
30	0.93											
31												
Totals	0.93	0.41	1.19	0.81	0.05	0.00	0.14	0.00	0.00	0.00	0.00	1.20
												Water Year Total: 4.73

NOTE: All Values are in units of inches, unless otherwise specified.

LEGEND: A - Acculated Total
 E - Estimated
 T - Trace, unmeasurable amount of rain

Data Revised: March 2011

PRECIPITATION

DAILY RAINFALL SUMMARY

1063 Soledad Pass

Gage Type: Standard 8 inch diameter (DPW)

Observation Time: 800

Latitude 34-29-35

Longitude: 118-05-28

Elevation: 3520 Feet

Water Year from 10/01/1996 to 09/30/1997

Day	Oct	Nov	Dec	Jan	Feb	Mar	Apr	May	Jun	Jul	Aug	Sep
1				0.07								
2				0.11								0.01
3												
4												0.25
5												
6												
7												
8												
9			0.43									
10			0.45									
11			0.12		0.10							
12			0.04	0.20								
13				0.34								
14												
15				0.66								
16												
17					0.14							
18												
19												
20				0.08								
21		0.65		0.02								
22		0.10	0.63	0.07						0.05		
23		0.03										
24												
25				T								1.67
26				0.87								
27			0.06									
28	0.02											
29												
30	1.06											
31			0.04									
Totals	1.08	0.78	1.77	2.42	0.24	0.00	0.00	0.00	0.00	0.05	0.00	1.93
												Water Year Total: 8.27

NOTE: All Values are in units of inches, unless otherwise specified.

LEGEND: A - Acculated Total
 E - Estimated
 T - Trace, unmeasurable amount of rain

Data Revised: March 2011

PRECIPITATION

DAILY RAINFALL SUMMARY

1070 Manhattan Beach

Gage Type: Standard 8 inch diameter (DPW)

Observation Time: 800

Latitude 33-53-00

Longitude: 118-23-19

Elevation: 182 Feet

Water Year from 10/01/1996 to 09/30/1997

Day	Oct	Nov	Dec	Jan	Feb	Mar	Apr	May	Jun	Jul	Aug	Sep
1				0.02								
2				0.22								
3				0.40								
4												
5				0.01								
6			0.12	0.06								
7												
8												
9												
10			1.30									
11			1.61		0.06							
12			0.22	0.08								
13			0.01	0.75								
14				0.09								
15												0.02
16				1.00								
17												
18					0.02							
19												
20												
21		0.43										
22		1.33	0.03	0.75								
23		0.07		0.42								
24												
25				0.04								0.09
26				1.14								0.19
27			0.15	0.16								
28			1.63									
29												
30	1.24		0.02									
31	0.26											
Totals	1.50	1.83	5.09	5.14	0.08	0.00	0.00	0.00	0.00	0.00	0.00	0.30
												Water Year Total: 13.94

NOTE: All Values are in units of inches, unless otherwise specified.

LEGEND: A - Acculated Total
 E - Estimated
 T - Trace, unmeasurable amount of rain

Data Revised: March 2011

PRECIPITATION

DAILY RAINFALL SUMMARY

1071B Descanso Gardens

Gage Type: Standard 8 inch diameter (DPW)

Observation Time: 800

Latitude 34-12-07

Longitude: 118-12-46

Elevation: 1325 Feet

Water Year from 10/01/1996 to 09/30/1997

Day	Oct	Nov	Dec	Jan	Feb	Mar	Apr	May	Jun	Jul	Aug	Sep
1				0.02								
2				0.38								
3				0.68								
4												
5				0.32								
6			0.25									
7												
8												
9			0.82									
10			1.34								0.05	
11			2.16		0.30							
12			0.11	0.82								
13				0.87					0.18			
14				0.11								
15				1.44								
16												
17					0.38							
18												
19												
20				0.54								
21		1.69		0.05								
22		0.91	0.77	0.35						0.02		
23		0.04		1.00								
24				0.03								
25				0.45								0.54
26				1.27								
27			0.38	0.27	0.06							
28			0.30									
29												
30	1.33											
31												
Totals	1.33	2.64	6.13	8.60	0.74	0.00	0.00	0.00	0.18	0.02	0.05	0.54
												Water Year Total: 20.23

NOTE: All Values are in units of inches, unless otherwise specified.

LEGEND: A - Acculated Total
 E - Estimated
 T - Trace, unmeasurable amount of rain

Data Revised: March 2011

PRECIPITATION

DAILY RAINFALL SUMMARY

1074 Little Gleason

Gage Type: Daily Automatic (DPW)

Observation Time: 2400

Latitude 34-22-43

Longitude: 118-08-57

Elevation: 5600 Feet

Water Year from 10/01/1996 to 09/30/1997

Day	Oct	Nov	Dec	Jan	Feb	Mar	Apr	May	Jun	Jul	Aug	Sep
1												
2				0.12			0.40					
3				0.35								
4												
5				0.01								
6												
7												
8												
9												
10			1.96									
11			0.45									
12			0.10									
13				0.07								
14				0.05								
15				0.80								
16				0.33								
17												
18					0.34							
19												
20				T								
21		0.80		0.01								
22		0.04	0.30	0.13						0.05		
23			0.16	0.15								
24				0.01								
25				0.02								0.30
26				0.56								1.12
27			0.07	0.30	0.01							
28			0.13		T							
29												
30	0.23											
31	0.12											
Totals	0.35	0.84	3.17	2.91	0.35	0.00	0.40	0.00	0.00	0.05	0.00	1.42
												Water Year Total: 9.49

NOTE: All Values are in units of inches, unless otherwise specified.

LEGEND: A - Acculated Total
 E - Estimated
 T - Trace, unmeasurable amount of rain

Data Revised: March 2011

PRECIPITATION

DAILY RAINFALL SUMMARY

1076B Monte Cristo Ranger Station

Gage Type: Standard 8 inch diameter

Observation Time: 800

Latitude 34-19-42

Longitude: 118-07-20

Elevation: 3360 Feet

Water Year from 10/01/1996 to 09/30/1997

Day	Oct	Nov	Dec	Jan	Feb	Mar	Apr	May	Jun	Jul	Aug	Sep
1				0.02								
2				0.18								
3				0.71			0.42					
4							0.01					
5				0.14								
6			0.12									
7												
8												
9												
10			2.00									
11			1.15									
12				0.06								
13				1.17	0.07							
14				0.31								
15				0.20								
16				0.44								
17												
18					0.13							
19												
20												
21		0.57		0.39								
22		1.45	1.56	0.25						0.04		
23		0.45	1.41	0.50								
24												
25												0.33
26				1.05								0.85
27			0.07	0.34	0.03							
28			0.14		0.03							
29			0.01									
30	1.30											
31	0.72											
Totals	2.02	2.47	6.46	5.76	0.26	0.00	0.43	0.00	0.00	0.04	0.00	1.18
												Water Year Total: 18.62

NOTE: All Values are in units of inches, unless otherwise specified.

LEGEND: A - Acculated Total
 E - Estimated
 T - Trace, unmeasurable amount of rain

Data Revised: March 2011

PRECIPITATION

DAILY RAINFALL SUMMARY

1077B Monrovia-Five Points

Gage Type: Standard 8 inch diameter (DPW)

Observation Time: 800

Latitude 34-09-58

Longitude: 117-59-37

Elevation: 962 Feet

Water Year from 10/01/1996 to 09/30/1997

Day	Oct	Nov	Dec	Jan	Feb	Mar	Apr	May	Jun	Jul	Aug	Sep
1				0.02								
2				0.21								
3				1.23								
4				0.01								
5				0.27		0.04						
6			0.33						0.21			
7												
8												
9												
10			1.99								0.02	
11			2.40		0.17							
12			0.86	0.35					0.02			
13			0.02	1.36					0.24			
14				0.21					0.01			
15				0.07								0.20
16				1.02								
17												
18					0.03							
19												
20												
21		0.62		0.55								
22		3.19	1.48	0.27								
23		0.07	0.08	1.23		0.03						
24				0.19								
25				0.07								0.25
26				1.71								0.62
27			0.06	0.74	0.33							
28			0.96									
29			0.05									
30	0.90		0.01									
31	0.80											
Totals	1.70	3.88	8.24	9.51	0.53	0.07	0.00	0.00	0.48	0.00	0.02	1.07
												Water Year Total: 25.50

NOTE: All Values are in units of inches, unless otherwise specified.

LEGEND: A - Acculated Total
 E - Estimated
 T - Trace, unmeasurable amount of rain

Data Revised: March 2011

PRECIPITATION

DAILY RAINFALL SUMMARY

1081B Glendale-Gregg

Gage Type: Standard 8 inch diameter

Observation Time: 800

Latitude 34-11-45

Longitude: 118-14-30

Elevation: 1350 Feet

Water Year from 10/01/1996 to 09/30/1997

Day	Oct	Nov	Dec	Jan	Feb	Mar	Apr	May	Jun	Jul	Aug	Sep
1				0.01								
2				0.40								0.01
3									T			
4												
5			0.01	0.27								
6			0.31	0.61			T					
7							T					
8							T					
9			1.32									
10			1.06		0.12						0.04	
11			2.35		0.05							
12			0.11	1.11								
13				0.70					0.09			
14				0.10								
15				1.36								
16												
17					0.15		T					T
18												T
19												
20	T			0.67								
21		1.80		0.14						T		
22		1.04	0.77	0.26						0.02		
23		0.03		0.98								
24				0.02								
25				0.72								0.57
26	T			1.15								0.02
27			0.45	0.24	0.02							
28			0.21		T							
29												
30	1.36		T									
31			0.02									
Totals	1.36	2.87	6.61	8.74	0.34	0.00	0.00	0.00	0.09	0.02	0.04	0.60
										Water Year Total:		20.67

NOTE: All Values are in units of inches, unless otherwise specified.

LEGEND: A - Acculated Total
 E - Estimated
 T - Trace, unmeasurable amount of rain

Data Revised: March 2011

PRECIPITATION

DAILY RAINFALL SUMMARY

1087 Green-Verdugo Pumping Plant

Gage Type: Standard 8 inch diameter (DPW)

Observation Time: 800

Latitude 34-15-25

Longitude: 118-20-11

Elevation: 1340 Feet

Water Year from 10/01/1996 to 09/30/1997

Day	Oct	Nov	Dec	Jan	Feb	Mar	Apr	May	Jun	Jul	Aug	Sep
1				0.01								
2				0.14								
3				0.43								
4												
5				0.01								
6			0.12									
7												
8												
9												
10			1.85								0.08	
11			1.15									
12			0.19	0.65								
13				0.51					0.06			
14				0.03								
15				0.65								
16				0.24								
17												
18	0.01											
19												
20				0.01								
21		1.23		0.32								
22		0.76	1.27	0.28								
23			0.04	0.41								
24				0.10								
25				0.27								0.26
26				0.62								0.16
27			0.07	0.21								
28			0.10		0.06							
29												
30	0.74											
31	0.14											
Totals	0.89	1.99	4.79	4.89	0.06	0.00	0.00	0.00	0.06	0.00	0.08	0.42
												Water Year Total: 13.18

NOTE: All Values are in units of inches, unless otherwise specified.

LEGEND: A - Acculated Total
 E - Estimated
 T - Trace, unmeasurable amount of rain

Data Revised: March 2011

PRECIPITATION

DAILY RAINFALL SUMMARY

1088B La Habra Heights-Mutual Water Co.

Gage Type: Standard 8 inch diameter (DPW)

Observation Time: 800

Latitude 33-56-55

Longitude: 117-57-51

Elevation: 445 Feet

Water Year from 10/01/1996 to 09/30/1997

Day	Oct	Nov	Dec	Jan	Feb	Mar	Apr	May	Jun	Jul	Aug	Sep
1												
2				0.24								
3												
4												
5												
6												
7												
8												
9			0.30									
10			1.64									
11			1.33									
12			0.52									
13				1.97								
14												
15				0.36								0.45
16				0.55								
17												
18												
19												
20												
21		0.35										
22		2.15		0.17								
23			0.33	1.13								
24												
25		0.15										0.37
26												0.28
27			0.11	2.17								
28												
29												
30	1.20		1.26									
31	0.50											
Totals	1.70	2.65	5.49	6.59	0.00	0.00	0.00	0.00	0.00	0.00	0.00	1.10
												Water Year Total: 17.53

NOTE: All Values are in units of inches, unless otherwise specified.

LEGEND: A - Acculated Total
 E - Estimated
 T - Trace, unmeasurable amount of rain

Data Revised: March 2011

PRECIPITATION

DAILY RAINFALL SUMMARY

1095 Orange County Reservoir

Gage Type: Standard 8 inch diameter

Observation Time: 800

Latitude 33-56-07

Longitude: 117-52-58

Elevation: 660 Feet

Water Year from 10/01/1996 to 09/30/1997

Day	Oct	Nov	Dec	Jan	Feb	Mar	Apr	May	Jun	Jul	Aug	Sep
1												
2				0.25								
3				0.57								
4												
5				0.03								
6			0.33									
7												
8												
9			0.85									
10			0.38		0.01							
11			1.77		0.18							
12			0.21	0.66								
13				0.44								
14				0.19								
15				0.51								0.04
16												
17												
18												
19												
20												
21		1.72		0.02								
22		1.29	0.40	0.03								
23				0.99								
24				0.01								
25				0.40								0.54
26				1.57								
27			0.78	0.39	0.03							
28			0.63									
29												
30	1.58											
31												
Totals	1.58	3.01	5.35	6.06	0.22	0.00	0.00	0.00	0.00	0.00	0.00	0.58
Water Year Total:												16.80

NOTE: All Values are in units of inches, unless otherwise specified.

LEGEND: A - Acculated Total
 E - Estimated
 T - Trace, unmeasurable amount of rain

Data Revised: March 2011

PRECIPITATION

DAILY RAINFALL SUMMARY

1107D La Tuna Debris Basin

Gage Type: Daily Automatic (DPW)

Observation Time: 2400

Latitude 34-14-13

Longitude: 118-19-37

Elevation: 1160 Feet

Water Year from 10/01/1996 to 09/30/1997

Day	Oct	Nov	Dec	Jan	Feb	Mar	Apr	May	Jun	Jul	Aug	Sep
1				0.04								
2				0.35								
3				0.04								
4												
5				0.08								
6			0.04	0.04								
7												
8												
9			0.95									
10					0.15							
11												
12				0.95								
13				0.11								
14			0.04	0.08								
15				0.71								
16												
17					0.12							
18												
19												
20				0.32								
21		1.90		0.15								
22		0.20		0.20								
23			0.04	0.24								
24												
25				0.39								0.28
26				0.24								
27			0.04									
28			0.04									
29	0.12											
30	0.55		0.35									
31												
Totals	0.67	2.10	1.50	3.94	0.27	0.00	0.00	0.00	0.00	0.00	0.00	0.28
												Water Year Total: 8.76

NOTE: All Values are in units of inches, unless otherwise specified.

LEGEND: A - Acculated Total
 E - Estimated
 T - Trace, unmeasurable amount of rain

Data Revised: March 2011

PRECIPITATION

DAILY RAINFALL SUMMARY

1113 Dominguez Water Co.

Gage Type: Daily Automatic (DPW)

Observation Time: 2400

Latitude 33-49-54

Longitude: 118-13-30

Elevation: 30 Feet

Water Year from 10/01/1996 to 09/30/1997

Day	Oct	Nov	Dec	Jan	Feb	Mar	Apr	May	Jun	Jul	Aug	Sep
1				0.16								
2				0.20								
3				0.15								
4												
5			0.08	0.12								
6			0.04									
7												
8												
9			1.53									
10			0.55		0.04							
11			1.46		0.04							
12			0.16	0.83								
13				0.12								
14				0.04								
15				0.90								
16												
17												
18												
19												
20												
21		1.81		0.20								
22		0.08	0.08	0.20								
23			0.04	0.47								
24												
25				0.79								0.20
26				0.27								
27			0.78									
28												
29												
30	1.45E											
31												
Totals	1.45	1.89	4.72	4.45	0.08	0.00	0.00	0.00	0.00	0.00	0.00	0.20
												Water Year Total: 12.79

NOTE: All Values are in units of inches, unless otherwise specified.

LEGEND: A - Acculated Total
 E - Estimated
 T - Trace, unmeasurable amount of rain

Data Revised: March 2011

PRECIPITATION

DAILY RAINFALL SUMMARY

1114B Whittier Narrows Dam

Gage Type: Standard 8 inch diameter

Observation Time: 800

Latitude 34-01-29

Longitude: 118-05-02

Elevation: 239 Feet

Water Year from 10/01/1996 to 09/30/1997

Day	Oct	Nov	Dec	Jan	Feb	Mar	Apr	May	Jun	Jul	Aug	Sep
1												
2				0.26								
3				0.46								
4												
5				0.02								
6			0.28									
7												
8												
9			1.20									
10			0.48									
11			1.70		0.13							
12			0.23	0.73								
13				0.59					0.06			
14				0.13								
15				1.18								0.29
16												
17												
18												
19												
20				0.01								
21		1.36		0.07								
22		0.88	0.38	0.18								
23				1.14								
24												
25				0.42								0.88
26				1.56								
27			0.60	0.57								
28			0.61									
29												
30	1.46											
31												
Totals	1.46	2.24	5.48	7.32	0.13	0.00	0.00	0.00	0.06	0.00	0.00	1.17
												Water Year Total: 17.86

NOTE: All Values are in units of inches, unless otherwise specified.

LEGEND: A - Acculated Total
 E - Estimated
 T - Trace, unmeasurable amount of rain

Data Revised: March 2011

PRECIPITATION

DAILY RAINFALL SUMMARY

1115 San Antonio Dam

Gage Type: Standard 8 inch diameter

Observation Time: 800

Latitude 34-09-24

Longitude: 117-40-20

Elevation: 2120 Feet

Water Year from 10/01/1996 to 09/30/1997

Day	Oct	Nov	Dec	Jan	Feb	Mar	Apr	May	Jun	Jul	Aug	Sep
1												
2				0.28								
3				0.84								
4												
5				0.13			0.07					
6			0.16									
7												
8												
9			1.16									
10			1.02									
11			1.80									
12			0.02	1.22								
13				0.80					0.53			
14				0.19								
15				1.16								0.15
16												
17												
18												
19												
20				0.43								
21		2.00		0.02								
22		2.09	2.25	0.34						0.02		
23				0.62		0.04						
24				0.09								
25				0.63								0.71
26				2.58								0.22
27			0.35	0.19	0.41							
28			0.54									
29												
30	1.82											
31												
Totals	1.82	4.09	7.30	9.52	0.41	0.04	0.07	0.00	0.53	0.02	0.00	1.08
												Water Year Total: 24.88

NOTE: All Values are in units of inches, unless otherwise specified.

LEGEND: A - Acculated Total
 E - Estimated
 T - Trace, unmeasurable amount of rain

Data Revised: March 2011

PRECIPITATION

DAILY RAINFALL SUMMARY

1126A Los Angeles-East Valley

Gage Type: 8.81 inch diameter (DPW)

Observation Time: 800

Latitude 34-12-30

Longitude: 118-24-35

Elevation: 780 Feet

Water Year from 10/01/1996 to 09/30/1997

Day	Oct	Nov	Dec	Jan	Feb	Mar	Apr	May	Jun	Jul	Aug	Sep
1				0.02								T
2				0.27								
3				0.47								
4												
5												
6			0.20									
7												
8												
9			T				T					
10			2.78									
11			2.58		0.27							
12			0.47									
13			0.14	1.71								
14				0.05								
15				0.26								
16				1.02								
17								T				
18					1.03							T
19		0.01										T
20											T	
21		0.82		0.58						T		
22		1.29	0.76	0.41						0.02		
23		0.01		0.80								
24				0.07								
25				0.01								0.09
26				0.75								0.29
27			0.03	0.57								
28			0.35									
29												
30	0.72		T									
31	0.23		T									
Totals	0.95	2.13	7.31	6.99	1.30	0.00	0.00	0.00	0.00	0.02	0.00	0.38
										Water Year Total:		19.08

NOTE: All Values are in units of inches, unless otherwise specified.

LEGEND: A - Acculated Total
 E - Estimated
 T - Trace, unmeasurable amount of rain

Data Revised: March 2011

PRECIPITATION

DAILY RAINFALL SUMMARY

1128 Wrightwood Fire Department

Gage Type: Standard 8 inch diameter

Observation Time: 800

Latitude 34-21-34

Longitude: 117-37-57

Elevation: 5960 Feet

Water Year from 10/01/1996 to 09/30/1997

Day	Oct	Nov	Dec	Jan	Feb	Mar	Apr	May	Jun	Jul	Aug	Sep
1												
2												
3					0.10							
4												
5												
6			0.10	0.10								
7												
8			2.00									
9			2.60									
10			0.10									
11												
12												
13				0.40								
14												0.10
15				0.60								0.50
16												
17												
18												
19				0.10								
20												
21		1.70										
22		0.40	1.20	0.10								
23												
24												
25				0.60								1.70
26				0.40								0.10
27												
28												
29				0.10								
30	1.50			0.30								
31												
Totals	1.50	2.10	6.00	2.70	0.10	0.00	0.00	0.00	0.00	0.00	0.00	2.40
												Water Year Total: 14.80

NOTE: All Values are in units of inches, unless otherwise specified.

LEGEND: A - Acculated Total
 E - Estimated
 T - Trace, unmeasurable amount of rain

Data Revised: March 2011

PRECIPITATION

DAILY RAINFALL SUMMARY

1129B Nicholas Canyon

Gage Type: Standard 8 inch diameter (DPW)

Observation Time: 800

Latitude 34-02-52

Longitude: 118-54-57

Elevation: 340 Feet

Water Year from 10/01/1996 to 09/30/1997

Day	Oct	Nov	Dec	Jan	Feb	Mar	Apr	May	Jun	Jul	Aug	Sep
1												
2												
3				1.13								
4			0.43									
5			0.01	0.03								
6												
7												
8												
9												
10			2.08		0.04							
11			3.25		0.08							
12			0.22	0.90								
13				0.71								
14				0.04								
15				0.42								
16											0.01	
17					0.03						0.02	
18												
19								0.02				
20		0.01		0.03							0.04	
21				0.78								
22			0.19	0.14								
23				2.05								
24				0.01								
25		2.85		0.47								0.02
26				0.74								
27			1.31	0.07								
28				0.03								
29												
30	0.75											
31												
Totals	0.75	2.86	7.49	7.55	0.15	0.00	0.00	0.02	0.00	0.00	0.07	0.02
											Water Year Total:	18.91

NOTE: All Values are in units of inches, unless otherwise specified.

LEGEND: A - Acculated Total
 E - Estimated
 T - Trace, unmeasurable amount of rain

Data Revised: March 2011

PRECIPITATION

DAILY RAINFALL SUMMARY

1140 Rosemead

Gage Type: 8.81 inch diameter (DPW)

Observation Time: 800

Latitude 34-04-53

Longitude: 118-03-55

Elevation: 305 Feet

Water Year from 10/01/1996 to 09/30/1997

Day	Oct	Nov	Dec	Jan	Feb	Mar	Apr	May	Jun	Jul	Aug	Sep
1												
2				0.29								
3												
4												
5			0.20	0.50								
6												
7												
8												
9			1.15									
10			0.84		0.17							
11			1.10									
12			0.20	0.67					T			
13				0.58					T			
14												0.02
15				1.51								0.10
16												
17												
18												
19												
20												
21		1.50		0.29								
22			0.50	0.10						T		
23		0.67										
24												
25				0.83								0.98
26	T			0.67	0.03							
27			0.56									
28	1.40		0.41									
29												
30			T									
31			T									
Totals	1.40	2.17	4.96	5.44	0.20	0.00	0.00	0.00	0.00	0.00	0.00	1.10
												Water Year Total: 15.27

NOTE: All Values are in units of inches, unless otherwise specified.

LEGEND: A - Acculated Total
 E - Estimated
 T - Trace, unmeasurable amount of rain

Data Revised: March 2011

PRECIPITATION

DAILY RAINFALL SUMMARY

1152 Clear Creek Ranger Station

Gage Type: Standard 8 inch diameter (DPW)

Observation Time: 800

Latitude 34-16-15

Longitude: 118-09-11

Elevation: 3625 Feet

Water Year from 10/01/1996 to 09/30/1997

Day	Oct	Nov	Dec	Jan	Feb	Mar	Apr	May	Jun	Jul	Aug	Sep
1												
2												
3				1.07								
4				0.18								
5												
6			0.16									
7									0.02			
8												
9												
10			2.60									
11			2.07		0.68							
12			0.54									
13				2.00								
14									0.04			
15				0.85								
16												
17												
18					0.25							
19												
20												
21			2.00	1.01								
22		3.02	1.85	1.01								
23		0.28		1.03								
24				0.28								
25												0.84
26				0.96								
27				0.96								
28												
29												
30	1.08											
31	0.75		0.63									
Totals	1.83	3.30	9.85	9.35	0.93	0.00	0.00	0.00	0.06	0.00	0.00	0.84
Water Year Total:												26.16

NOTE: All Values are in units of inches, unless otherwise specified.

LEGEND: A - Acculated Total
 E - Estimated
 T - Trace, unmeasurable amount of rain

Data Revised: March 2011

PRECIPITATION

DAILY RAINFALL SUMMARY

1158 Torrance Municipal Airport

Gage Type: Standard 8 inch diameter (DPW)

Observation Time: 800

Latitude 33-47-59

Longitude: 118-20-08

Elevation: 102 Feet

Water Year from 10/01/1996 to 09/30/1997

Day	Oct	Nov	Dec	Jan	Feb	Mar	Apr	May	Jun	Jul	Aug	Sep
1				0.01								
2				0.30								T
3				0.12								
4				T								
5			0.01	0.04								
6			0.10									
7												
8												
9			1.10									
10			0.63		0.04							
11			1.62		0.04							
12			0.81	0.54								
13				0.77								
14				0.07								
15				1.44								0.03
16				T								
17					0.05							
18												
19												
20												
21		0.90		0.02								
22		0.80	0.13	0.49						0.57		
23		0.01		0.70								
24				T								
25				0.24								0.32
26				0.68								
27			0.50	0.05								
28			0.29									
29												
30	1.41		T									
31	0.04		0.04									
Totals	1.45	1.71	5.23	5.47	0.13	0.00	0.00	0.00	0.00	0.57	0.00	0.35
										Water Year Total:		14.91

NOTE: All Values are in units of inches, unless otherwise specified.

LEGEND: A - Acculated Total
 E - Estimated
 T - Trace, unmeasurable amount of rain

Data Revised: March 2011

PRECIPITATION

DAILY RAINFALL SUMMARY

1166B Mile High Ranch

Gage Type: Standard 8 inch diameter (DPW)

Observation Time: 800

Latitude 34-24-40

Longitude: 117-46-15

Elevation: 5280 Feet

Water Year from 10/01/1996 to 09/30/1997

Day	Oct	Nov	Dec	Jan	Feb	Mar	Apr	May	Jun	Jul	Aug	Sep
1												
2												
3												
4												
5												
6												
7												
8												
9			1.65									
10			0.41									
11												
12				A								
13				0.13A								
14				0.26								
15				0.65								
16												
17					0.45							
18												
19												
20				0.08								
21												
22		0.90	0.80									
23												
24												
25												1.43
26				0.15								0.09
27												
28												
29												
30	1.05											
31												
Totals	1.05	0.90	2.86	1.27	0.45	0.00	0.00	0.00	0.00	0.00	0.00	1.52
												Water Year Total: 8.05

NOTE: All Values are in units of inches, unless otherwise specified.

LEGEND: A - Acculated Total
 E - Estimated
 T - Trace, unmeasurable amount of rain

Data Revised: March 2011

PRECIPITATION

DAILY RAINFALL SUMMARY

1169B Piru-Temescal Guard Station

Gage Type: Standard 8 inch diameter

Observation Time: 800

Latitude 34-28-22

Longitude: 118-45-21

Elevation: 1150 Feet

Water Year from 10/01/1996 to 09/30/1997

Day	Oct	Nov	Dec	Jan	Feb	Mar	Apr	May	Jun	Jul	Aug	Sep
1				0.01								
2				0.06								0.05
3				0.52								
4												
5				0.10								
6			0.07									
7												
8												
9												
10			2.25									
11			2.23		0.30							
12			0.25	0.05								
13				0.42								
14												
15				0.67								
16				0.18								
17												T
18					0.25							T
19												
20				0.25								
21		0.40		0.26								
22		2.08	2.06	0.23								
23		0.10	0.02	0.95								
24												
25				0.20								0.02
26				1.93								0.19
27			0.42	0.47								
28			0.96									
29												
30	1.79		0.03									
31	0.14		0.04									
Totals	1.93	2.58	8.33	6.30	0.55	0.00	0.00	0.00	0.00	0.00	0.00	0.26
												Water Year Total: 19.95

NOTE: All Values are in units of inches, unless otherwise specified.

LEGEND: A - Acculated Total
 E - Estimated
 T - Trace, unmeasurable amount of rain

Data Revised: March 2011

PRECIPITATION

DAILY RAINFALL SUMMARY

1170B Thousand Oaks Weather Station

Gage Type: Standard 8 inch diameter

Observation Time: 800

Latitude 34-10-44

Longitude: 118-51-01

Elevation: 805 Feet

Water Year from 10/01/1996 to 09/30/1997

Day	Oct	Nov	Dec	Jan	Feb	Mar	Apr	May	Jun	Jul	Aug	Sep
1				T								
2				0.26								
3				0.32								
4				T								
5												
6			0.15									
7												
8												
9												
10			2.75									
11			1.81		0.23							
12			0.29	0.08								
13				0.65								
14												
15				0.79								
16				0.17								
17												
18					0.07							
19												
20												
21		0.45		0.56								
22		1.25	0.28	0.39								
23			0.61	0.64								
24				0.02								
25				0.04								
26				0.74								0.04
27			0.11	0.15								
28			0.37									
29												
30	1.70											
31	0.12											
Totals	1.82	1.70	6.37	4.81	0.30	0.00	0.00	0.00	0.00	0.00	0.00	0.04
												Water Year Total: 15.04

NOTE: All Values are in units of inches, unless otherwise specified.

LEGEND: A - Acculated Total
 E - Estimated
 T - Trace, unmeasurable amount of rain

Data Revised: March 2011

PRECIPITATION

DAILY RAINFALL SUMMARY

1171B Camulos Ranch

Gage Type: Standard 8 inch diameter

Observation Time: 800

Latitude 34-24-22

Longitude: 118-45-21

Elevation: 725 Feet

Water Year from 10/01/1996 to 09/30/1997

Day	Oct	Nov	Dec	Jan	Feb	Mar	Apr	May	Jun	Jul	Aug	Sep
1				0.03								
2				0.12								0.22
3				0.90								
4												
5				0.07								
6			0.11									
7												
8												
9												
10			1.68									
11			0.77		0.26							
12			0.28	0.06								
13				0.55								
14												
15				0.71								
16				0.21								
17												
18		0.02			0.37							0.02
19												
20				0.09								
21		0.37		0.40								
22		1.82	0.40	0.18						T		
23		0.07	0.21	0.59								
24												
25				0.11								0.18
26				0.84								
27			0.23	1.40								
28			0.78									
29												
30	1.66											
31	0.15		0.04									
Totals	1.81	2.28	4.50	6.26	0.63	0.00	0.00	0.00	0.00	0.00	0.00	0.42
Water Year Total:												15.90

NOTE: All Values are in units of inches, unless otherwise specified.

LEGEND: A - Acculated Total
 E - Estimated
 T - Trace, unmeasurable amount of rain

Data Revised: March 2011

PRECIPITATION

DAILY RAINFALL SUMMARY

1173B Tapo Canyon

Gage Type: Standard 8 inch diameter (DPW)

Observation Time: 800

Latitude 34-19-54

Longitude: 118-42-39

Elevation: 1525 Feet

Water Year from 10/01/1996 to 09/30/1997

Day	Oct	Nov	Dec	Jan	Feb	Mar	Apr	May	Jun	Jul	Aug	Sep
1												
2				0.28								
3				1.07								
4												
5												
6			0.68									
7												
8												
9												
10			1.83									
11			1.58		0.23							
12			0.35	0.05								
13				0.83								
14												
15				0.47								
16				0.17								
17												
18					0.49							
19												
20												
21		0.37E		0.22								
22		1.88E	0.58	0.49								
23			0.53	0.64								
24				0.06								
25				0.04								
26				0.94								0.08
27			0.30	0.48								
28			0.73									
29												
30	1.00											
31	0.15											
Totals	1.15	2.25	6.58	5.74	0.72	0.00	0.00	0.00	0.00	0.00	0.00	0.08
												Water Year Total: 16.52

NOTE: All Values are in units of inches, unless otherwise specified.

LEGEND: A - Acculated Total
 E - Estimated
 T - Trace, unmeasurable amount of rain

Data Revised: March 2011

PRECIPITATION

DAILY RAINFALL SUMMARY

1177B Bard Reservoir

Gage Type: Standard 8 inch diameter (DPW)

Observation Time: 800

Latitude 34-14-32

Longitude: 118-49-41

Elevation: 1010 Feet

Water Year from 10/01/1996 to 09/30/1997

Day	Oct	Nov	Dec	Jan	Feb	Mar	Apr	May	Jun	Jul	Aug	Sep
1				T								
2				0.22								
3				0.43								
4				T								
5												
6			0.30									
7												
8												
9												
10			1.83									
11			1.22		0.13							
12			0.25	0.04								
13				0.60								
14												
15				0.38								
16				0.06								
17												
18					0.10							
19												
20												
21		0.40		0.46								
22		1.15	0.30	0.40								
23			0.80	0.59								
24				T								
25				0.03								
26				0.62								0.10
27			0.13	0.70								
28			0.37									
29												
30	1.10											
31	0.15											
Totals	1.25	1.55	5.20	4.53	0.23	0.00	0.00	0.00	0.00	0.00	0.00	0.10
												Water Year Total: 12.86

NOTE: All Values are in units of inches, unless otherwise specified.

LEGEND: A - Acculated Total
 E - Estimated
 T - Trace, unmeasurable amount of rain

Data Revised: March 2011

PRECIPITATION

DAILY RAINFALL SUMMARY

1191 Bear Divide

Gage Type: Standard 8 inch diameter (DPW)

Observation Time: 800

Latitude 34-21-35

Longitude: 118-23-37

Elevation: 2700 Feet

Water Year from 10/01/1996 to 09/30/1997

Day	Oct	Nov	Dec	Jan	Feb	Mar	Apr	May	Jun	Jul	Aug	Sep
1												
2												0.03
3				1.66								
4												
5				0.15								
6			0.18						0.03			
7												
8												
9												
10			2.00									
11			2.03		0.09							
12			0.47									
13				1.77					0.07			
14				0.10					0.02			
15				0.44								
16				1.02								
17												
18					1.03							0.01
19												0.03
20												
21				0.05								
22		2.02		0.49						0.01		
23		0.25		1.13								
24				0.16								
25												0.23
26				2.25								0.23
27			0.60	1.06	0.05							
28			0.46		0.03							
29												
30	0.85											
31	0.55											
Totals	1.40	2.27	5.74	10.28	1.20	0.00	0.00	0.00	0.12	0.01	0.00	0.53
												Water Year Total: 21.55

NOTE: All Values are in units of inches, unless otherwise specified.

LEGEND: A - Acculated Total
 E - Estimated
 T - Trace, unmeasurable amount of rain

Data Revised: March 2011

PRECIPITATION

DAILY RAINFALL SUMMARY

1193 Westlake Village

Gage Type: Standard 8 inch diameter (DPW)

Observation Time: 800

Latitude 34-08-19

Longitude: 118-49-05

Elevation: 885 Feet

Water Year from 10/01/1996 to 09/30/1997

Day	Oct	Nov	Dec	Jan	Feb	Mar	Apr	May	Jun	Jul	Aug	Sep
1				0.26								
2				0.15								
3			0.25									
4												
5												
6												
7												
8												
9			1.90									
10			1.92		0.15							
11			0.25									
12			0.60	0.42								
13				0.61								
14												
15												
16												
17					0.25							
18												
19												
20				1.71								
21				0.32								
22		1.46	1.25	0.08								
23				0.73								
24												
25				0.24								0.10
26				0.51								
27			0.50	0.10								
28												
29												
30	1.60											
31												
Totals	1.60	1.46	6.67	5.13	0.40	0.00	0.00	0.00	0.00	0.00	0.00	0.10
												Water Year Total: 15.36

NOTE: All Values are in units of inches, unless otherwise specified.

LEGEND: A - Acculated Total
 E - Estimated
 T - Trace, unmeasurable amount of rain

Data Revised: March 2011

PRECIPITATION

DAILY RAINFALL SUMMARY

1194 Santa Ynez Reservoir

Gage Type: Standard 8 inch diameter (DPW)

Observation Time: 800

Latitude 34-04-23

Longitude: 118-33-59

Elevation: 735 Feet

Water Year from 10/01/1996 to 09/30/1997

Day	Oct	Nov	Dec	Jan	Feb	Mar	Apr	May	Jun	Jul	Aug	Sep
1												
2				0.25								
3				0.42								
4												
5				T								
6			0.16									
7												
8												
9												
10			2.22		0.07E							
11			2.63		0.01E							
12			0.06	0.54								
13			T	0.84								
14				0.09								
15				0.74								
16				0.79								
17					0.06E							
18												
19												
20				0.10								
21		0.48		0.05								
22		1.74	1.26	0.57								
23		0.24		1.90								
24				0.01								
25				0.15								0.15E
26				1.36								
27			0.30	0.44								
28			1.90	T								
29	1.36		0.01									
30	0.86											
31												
Totals	2.22	2.46	8.54	8.25	0.14	0.00	0.00	0.00	0.00	0.00	0.00	0.15
												Water Year Total: 21.76

NOTE: All Values are in units of inches, unless otherwise specified.

LEGEND: A - Acculated Total
 E - Estimated
 T - Trace, unmeasurable amount of rain

Data Revised: March 2011

PRECIPITATION

DAILY RAINFALL SUMMARY

1195 Chino Fire Station No.2

Gage Type: Standard 8 inch diameter

Observation Time: 800

Latitude 33-59-00

Longitude: 117-43-20

Elevation: 655 Feet

Water Year from 10/01/1996 to 09/30/1997

Day	Oct	Nov	Dec	Jan	Feb	Mar	Apr	May	Jun	Jul	Aug	Sep
1				1.47								
2			0.01	0.23								
3				0.13								
4				0.17								
5				0.52								
6			0.01									
7												
8												
9			1.45									
10			0.23		0.20							
11			0.97	0.07	0.02							
12			0.07	0.79					0.01			
13				0.68					0.02			
14				0.04								
15				0.30								0.05
16				0.02								
17												
18			0.01	0.15								
19				0.54								
20		0.01										
21		1.42										
22		0.10	0.82									
23		0.02										
24		0.02										
25		0.01										0.58
26		0.09										
27		0.71	1.02		0.03							
28			0.28									
29				0.07								
30	1.19											
31				0.02								
Totals	1.19	2.38	4.87	5.20	0.25	0.00	0.00	0.00	0.03	0.00	0.00	0.63
												Water Year Total: 14.55

NOTE: All Values are in units of inches, unless otherwise specified.

LEGEND: A - Acculated Total
 E - Estimated
 T - Trace, unmeasurable amount of rain

Data Revised: March 2011

PRECIPITATION

DAILY RAINFALL SUMMARY

1196 Montclair Fire Department

Gage Type: Standard 8 inch diameter

Observation Time: 800

Latitude 34-03-41

Longitude: 117-41-16

Elevation: 965 Feet

Water Year from 10/01/1996 to 09/30/1997

Day	Oct	Nov	Dec	Jan	Feb	Mar	Apr	May	Jun	Jul	Aug	Sep
1												
2				0.23								
3				0.80								
4				T								
5				0.15					T			
6			0.16									
7												
8												
9			1.46									
10			0.60		0.05							
11			0.33									
12			0.02									
13				1.76								
14				0.30								
15				0.70								
16					T							
17												
18												
19												
20												
21		0.35										
22		2.50	0.07	0.28						T		
23			0.68									
24												
25				0.60								
26				1.75								
27			0.49	0.61	0.05							
28												
29	0.20											
30	0.80											
31												
Totals	1.00	2.85	3.81	7.18	0.10	0.00	0.00	0.00	0.00	0.00	0.00	0.00
												Water Year Total: 14.94

NOTE: All Values are in units of inches, unless otherwise specified.

LEGEND: A - Acculated Total
 E - Estimated
 T - Trace, unmeasurable amount of rain

Data Revised: March 2011

PRECIPITATION

DAILY RAINFALL SUMMARY

1197 **Cajon West Summit**

Gage Type: Standard 8 inch diameter

Observation Time: 800

Latitude 34-23-30

Longitude: 117-34-35

Elevation: 4838 Feet

Water Year from 10/01/1996 to 09/30/1997

Day	Oct	Nov	Dec	Jan	Feb	Mar	Apr	May	Jun	Jul	Aug	Sep
1												
2				0.03E			0.10					
3				0.03E								
4				0.08E								
5				0.01E								
6												
7												
8												
9			1.40									
10												
11				0.04E								
12												
13												
14												
15				0.01E								
16												
17												
18												
19			0.50									
20												
21		1.70E										
22		0.40E										
23												
24												
25												
26												
27												
28												
29												
30	0.70E											
31												
Totals	0.70	2.10	1.90	0.20	0.00	0.00	0.10	0.00	0.00	0.00	0.00	0.00
												Water Year Total: 5.00

NOTE: All Values are in units of inches, unless otherwise specified.

LEGEND: A - Acculated Total
 E - Estimated
 T - Trace, unmeasurable amount of rain

Data Revised: March 2011

PRECIPITATION

DAILY RAINFALL SUMMARY

1198 Phelan Fire Control

Gage Type: Standard 8 inch diameter

Observation Time: 800

Latitude 34-25-30

Longitude: 117-34-00

Elevation: 4160 Feet

Water Year from 10/01/1996 to 09/30/1997

Day	Oct	Nov	Dec	Jan	Feb	Mar	Apr	May	Jun	Jul	Aug	Sep
1												
2												
3												
4			T									
5				0.12								
6												
7												
8												
9			0.80									
10												
11							T					
12				0.28								
13				0.70								
14												0.08
15												
16												
17					0.05							
18												
19												
20												
21		0.43										
22												
23												
24				0.01								
25												
26				0.15								
27												
28												
29												
30												
31												
Totals	0.00	0.43	0.80	1.26	0.05	0.00	0.00	0.00	0.00	0.00	0.00	0.08
	Water Year Total:											2.62

NOTE: All Values are in units of inches, unless otherwise specified.

LEGEND: A - Acculated Total
 E - Estimated
 T - Trace, unmeasurable amount of rain

Data Revised: March 2011

PRECIPITATION

DAILY RAINFALL SUMMARY

1212 Lancaster FSS/FAA

Gage Type: Standard 8 inch diameter

Observation Time: 800

Latitude 34-44-00

Longitude: 118-13-00

Elevation: 2340 Feet

Water Year from 10/01/1996 to 09/30/1997

Day	Oct	Nov	Dec	Jan	Feb	Mar	Apr	May	Jun	Jul	Aug	Sep
1												
2				0.02E			T					
3				0.02E								T
4												
5				0.09E								
6												
7												
8												
9			0.58E									
10			0.24E									
11			0.01E					T				
12				0.01E								
13				0.10E								
14				0.06E								
15				0.01E								
16				0.38E								
17												T
18												T
19												
20												
21		0.42		0.04E								
22		0.03	0.28E	0.01E								
23												
24												T
25	T			0.03E								0.87
26				0.19E								
27	T		0.02E									
28												
29	T											
30	0.66		0.04E									
31												
Totals	0.66	0.45	1.17	0.96	0.00	0.00	0.00	0.00	0.00	0.00	0.00	0.87
												Water Year Total: 4.11

NOTE: All Values are in units of inches, unless otherwise specified.

LEGEND: A - Acculated Total
 E - Estimated
 T - Trace, unmeasurable amount of rain

Data Revised: March 2011

PRECIPITATION

DAILY RAINFALL SUMMARY

1216 Rancho Palos Verdes

Gage Type: Standard 8 inch diameter (DPW)

Observation Time: 800

Latitude 33-45-10

Longitude: 118-23-32

Elevation: 780 Feet

Water Year from 10/01/1996 to 09/30/1997

Day	Oct	Nov	Dec	Jan	Feb	Mar	Apr	May	Jun	Jul	Aug	Sep
1												
2				0.44								
3				0.40								
4				0.06								
5			0.33	0.11								
6												
7												
8									0.01			
9			1.04									
10			2.75									
11					0.05							
12				0.08								
13				0.73								
14				T								
15				0.12								
16				1.05								
17											0.02	
18												
19		0.03										
20		0.02										
21		0.95								0.01		
22				0.32						0.04		
23				0.69								
24				0.25								0.17
25												0.14
26				1.42								
27			0.10	0.20								
28			1.12									
29			0.07									
30	0.81E					0.01						
31												
Totals	0.81	1.00	5.41	5.87	0.05	0.01	0.00	0.00	0.01	0.05	0.02	0.31
										Water Year Total:		13.54

NOTE: All Values are in units of inches, unless otherwise specified.

LEGEND: A - Acculated Total
 E - Estimated
 T - Trace, unmeasurable amount of rain

Data Revised: March 2011

PRECIPITATION

DAILY RAINFALL SUMMARY

1217 Los Angeles Country Club

Gage Type: Standard 8 inch diameter (DPW)

Observation Time: 800

Latitude 34-04-10

Longitude: 118-25-17

Elevation: 380 Feet

Water Year from 10/01/1996 to 09/30/1997

Day	Oct	Nov	Dec	Jan	Feb	Mar	Apr	May	Jun	Jul	Aug	Sep
1												
2				0.24								
3				0.50								
4												
5			0.25									
6												
7												
8												
9			2.33									
10			1.66									
11			0.50		0.10							
12				1.82								
13				0.11								
14				0.15								
15				1.32								
16												
17					0.19							
18												
19												
20		0.50		0.15								
21		1.50	0.01	0.40								
22		0.10	0.80	1.25								
23				0.11								
24				0.02								
25				1.12								0.13
26				0.33								0.20
27			0.07									
28			1.25									
29	1.44											
30	0.25		0.02									
31			T									
Totals	1.69	2.10	6.89	7.52	0.29	0.00	0.00	0.00	0.00	0.00	0.00	0.33
												Water Year Total: 18.82

NOTE: All Values are in units of inches, unless otherwise specified.

LEGEND: A - Acculated Total
 E - Estimated
 T - Trace, unmeasurable amount of rain

Data Revised: March 2011

PRECIPITATION

DAILY RAINFALL SUMMARY

1222 Northridge-Garland

Gage Type: 8.81 inch diameter (DPW)

Observation Time: 800

Latitude 34-14-17

Longitude: 118-30-59

Elevation: 911 Feet

Water Year from 10/01/1996 to 09/30/1997

Day	Oct	Nov	Dec	Jan	Feb	Mar	Apr	May	Jun	Jul	Aug	Sep
1				0.06								
2				0.49								T
3				0.32								
4												
5				0.01								
6			0.48									
7												
8												
9			1.14									
10			0.90									
11			1.85		0.10							
12			0.33	0.60								
13				0.40								
14												
15				0.57								
16												
17					0.23							
18												
19												
20				0.39								
21		1.69		0.23								
22		0.30	1.30	0.36								
23				0.72								
24				0.02								
25				0.43								0.36
26				0.75								
27			0.55	0.08								
28			0.05									
29												
30	0.82											
31			0.03									
Totals	0.82	1.99	6.63	5.43	0.33	0.00	0.00	0.00	0.00	0.00	0.00	0.36
Water Year Total:												15.56

NOTE: All Values are in units of inches, unless otherwise specified.

LEGEND: A - Acculated Total
 E - Estimated
 T - Trace, unmeasurable amount of rain

Data Revised: March 2011

PRECIPITATION

DAILY RAINFALL SUMMARY

1223 Woodland Hills-Sherman

Gage Type: 8.81 inch diameter (DPW)

Observation Time: 800

Latitude 34-10-06

Longitude: 118-38-57

Elevation: 1035 Feet

Water Year from 10/01/1996 to 09/30/1997

Day	Oct	Nov	Dec	Jan	Feb	Mar	Apr	May	Jun	Jul	Aug	Sep
1				0.04								
2				0.34								0.04
3				0.07								
4												
5			0.06	0.05								
6			0.26									
7												
8												
9			1.56									
10			1.07		0.09							
11			1.45									
12			0.11	0.91								
13			T	0.10								
14				0.72						T		
15												
16												
17					0.11			T				
18		0.01										0.13
19	T											
20		0.01		0.44								
21		1.37		0.29								
22		0.28	0.79	0.14								
23		T		0.52								
24				0.01								0.01
25				0.19								0.25
26				0.44								
27			0.27	0.06								
28			0.06									
29												
30	1.43		0.01									
31			0.02									
Totals	1.43	1.67	5.66	4.32	0.20	0.00	0.00	0.00	0.00	0.00	0.00	0.43
Water Year Total:												13.71

NOTE: All Values are in units of inches, unless otherwise specified.

LEGEND: A - Acculated Total
 E - Estimated
 T - Trace, unmeasurable amount of rain

Data Revised: March 2011

PRECIPITATION

DAILY RAINFALL SUMMARY

1239 Malibu-Big Rock Mesa

Gage Type: Daily Automatic (DPW)

Observation Time: 2400

Latitude 34-02-34

Longitude: 118-37-16

Elevation: 725 Feet

Water Year from 10/01/1996 to 09/30/1997

Day	Oct	Nov	Dec	Jan	Feb	Mar	Apr	May	Jun	Jul	Aug	Sep
1				0.23								
2				0.63								
3				0.04								
4												
5			0.08									
6												
7												
8												
9			1.85									
10			1.65		0.04							
11			1.11									
12			0.08	1.18								
13			0.03	0.12								
14				0.04								
15				0.79								
16												
17					0.04							0.16
18												
19												
20		0.04		0.04								
21		2.16		0.47								
22		0.20	0.40	0.79								
23				0.83								
24												
25				1.37								0.16
26				0.55								
27			1.26									
28												
29	0.16											
30	1.73											
31												
Totals	1.89	2.40	6.46	7.08	0.08	0.00	0.00	0.00	0.00	0.00	0.00	0.32
Water Year Total:												18.23

NOTE: All Values are in units of inches, unless otherwise specified.

LEGEND: A - Acculated Total
 E - Estimated
 T - Trace, unmeasurable amount of rain

Data Revised: March 2011

PRECIPITATION

DAILY RAINFALL SUMMARY

1240 Pearblossom-Calif.D.W.R. Booster Sta.

Gage Type: Standard 8 inch diameter

Observation Time: 800

Latitude 34-30-32

Longitude: 117-55-15

Elevation: 3050 Feet

Water Year from 10/01/1996 to 09/30/1997

Day	Oct	Nov	Dec	Jan	Feb	Mar	Apr	May	Jun	Jul	Aug	Sep
1												
2												
3							0.01					
4												0.01
5												
6												
7												
8												
9			0.12									
10			0.44									
11												
12												
13				0.20								
14												
15												
16				0.40								
17												
18					0.02							
19				0.02								
20												
21		0.17										
22		0.10	0.02									
23		0.02										
24			0.22									
25												0.20
26				0.08								0.89
27				0.06								
28	0.05											
29	T											
30	0.24											
31	0.46											
Totals	0.75	0.29	0.80	0.76	0.02	0.00	0.01	0.00	0.00	0.00	0.00	1.10
												Water Year Total: 3.73

NOTE: All Values are in units of inches, unless otherwise specified.

LEGEND: A - Acculated Total
 E - Estimated
 T - Trace, unmeasurable amount of rain

Data Revised: March 2011

PRECIPITATION

DAILY RAINFALL SUMMARY

1242 Rocky Buttes

Gage Type: Daily Automatic (DPW)

Observation Time: 2400

Latitude 34-39-00

Longitude: 117-51-48

Elevation: 2540 Feet

Water Year from 10/01/1996 to 09/30/1997

Day	Oct	Nov	Dec	Jan	Feb	Mar	Apr	May	Jun	Jul	Aug	Sep
1												
2							0.04					
3												
4												
5												
6				0.04E								
7												
8												
9			0.30E									
10			0.09E									
11			0.02E									
12				0.05E								
13				0.04E								
14				0.01E								
15				0.24E								
16												
17												
18												
19												
20												
21		0.52										
22		0.04	0.11E									
23												
24												
25												1.16
26				0.10E								
27	0.04											
28												
29												
30	0.52		0.02E									
31												
Totals	0.56	0.56	0.54	0.48	0.00	0.00	0.04	0.00	0.00	0.00	0.00	1.16
												Water Year Total: 3.34

NOTE: All Values are in units of inches, unless otherwise specified.

LEGEND: A - Acculated Total
 E - Estimated
 T - Trace, unmeasurable amount of rain

Data Revised: March 2011

PRECIPITATION

DAILY RAINFALL SUMMARY

1243 Redman

Gage Type: Daily Automatic (DPW)

Observation Time: 2400

Latitude 34-45-52

Longitude: 117-55-30

Elevation: 2360 Feet

Water Year from 10/01/1996 to 09/30/1997

Day	Oct	Nov	Dec	Jan	Feb	Mar	Apr	May	Jun	Jul	Aug	Sep
1												
2							0.08					
3							0.04					
4												
5				0.07E								
6												
7												
8												
9			0.10E									
10			0.36E									
11			0.04E									
12												
13				0.12E								
14				0.02E								
15												
16				0.23E								
17												
18												0.04
19												
20												
21		0.56		0.02E								
22			0.06E									
23												
24												
25												1.00
26				0.09E								
27												
28												
29												
30	0.60		0.03E									
31										0.04		
Totals	0.60	0.56	0.59	0.55	0.00	0.00	0.12	0.00	0.00	0.04	0.00	1.04
												Water Year Total: 3.50

NOTE: All Values are in units of inches, unless otherwise specified.

LEGEND: A - Acculated Total
 E - Estimated
 T - Trace, unmeasurable amount of rain

Data Revised: March 2011

PRECIPITATION

DAILY RAINFALL SUMMARY

1247 North Lancaster

Gage Type: Daily Automatic (DPW)

Observation Time: 2400

Latitude 34-45-41

Longitude: 118-07-30

Elevation: 2310 Feet

Water Year from 10/01/1996 to 09/30/1997

Day	Oct	Nov	Dec	Jan	Feb	Mar	Apr	May	Jun	Jul	Aug	Sep
1												
2												0.52
3							0.04					
4												
5				0.10E								
6												
7												
8												
9												
10			0.59E									
11			0.05E									
12				0.02E								
13				0.13E								
14				0.01E								
15				0.03E								
16				0.26E								
17												
18												0.08
19												
20												
21		0.48		0.04E								
22			0.11E							0.08		
23												
24		0.04										
25												0.84
26				0.10E								
27			0.01E									
28												
29												
30	0.56		0.04E									
31												
Totals	0.56	0.52	0.80	0.69	0.00	0.00	0.04	0.00	0.00	0.08	0.00	1.44
												Water Year Total: 4.13

NOTE: All Values are in units of inches, unless otherwise specified.

LEGEND: A - Acculated Total
 E - Estimated
 T - Trace, unmeasurable amount of rain

Data Revised: March 2011

PRECIPITATION

DAILY RAINFALL SUMMARY

1249 Relay

Gage Type: Daily Automatic (DPW)

Observation Time: 2400

Latitude 34-45-43

Longitude: 117-47-55

Elevation: 3140 Feet

Water Year from 10/01/1996 to 09/30/1997

Day	Oct	Nov	Dec	Jan	Feb	Mar	Apr	May	Jun	Jul	Aug	Sep
1												
2							0.04					
3											0.08	
4												
5				0.08								
6												
7												
8												
9			0.44									
10												
11												
12			0.04	0.09E								
13				0.04E								
14												
15				0.23E								
16				0.01E								
17												
18												0.04
19												
20				0.01E								
21		0.56										
22			0.04									
23												
24												
25				0.01E								1.12
26				0.09E								
27												
28												
29												
30	0.36		0.04									
31												
Totals	0.36	0.56	0.56	0.56	0.00	0.00	0.04	0.00	0.00	0.00	0.08	1.16
												Water Year Total: 3.32

NOTE: All Values are in units of inches, unless otherwise specified.

LEGEND: A - Acculated Total
 E - Estimated
 T - Trace, unmeasurable amount of rain

Data Revised: March 2011

PRECIPITATION

DAILY RAINFALL SUMMARY

1250 Avek

Gage Type: Daily Automatic (DPW)

Observation Time: 2400

Latitude 34-32-21

Longitude: 117-55-23

Elevation: 2825 Feet

Water Year from 10/01/1996 to 09/30/1997

Day	Oct	Nov	Dec	Jan	Feb	Mar	Apr	May	Jun	Jul	Aug	Sep
1												
2												
3												
4												
5												
6												
7												
8												
9			0.32									
10			0.04									
11												
12				0.11E								
13				0.03E								
14				0.01E								
15				0.34E								
16												
17					0.04							
18												
19												
20				0.01E								
21		0.24										
22			0.20									
23												
24												
25												0.96
26				0.09E								
27				0.02E								
28												
29												
30	0.72											
31												
Totals	0.72	0.24	0.56	0.61	0.04	0.00	0.00	0.00	0.00	0.00	0.00	0.96
												Water Year Total: 3.13

NOTE: All Values are in units of inches, unless otherwise specified.

LEGEND: A - Acculated Total
 E - Estimated
 T - Trace, unmeasurable amount of rain

Data Revised: March 2011

PRECIPITATION

DAILY RAINFALL SUMMARY

1251 Palos Verdes-Whites Point

Gage Type: Standard 8 inch diameter

Observation Time: 800

Latitude 33-42-50

Longitude: 118-19-02

Elevation: 100 Feet

Water Year from 10/01/1996 to 09/30/1997

Day	Oct	Nov	Dec	Jan	Feb	Mar	Apr	May	Jun	Jul	Aug	Sep
1												
2				0.27								
3				0.22								
4												
5												
6			0.15									
7												
8												
9												
10			1.24									
11			1.54		0.02							
12			0.32									
13			T									
14												
15												0.05
16												
17												
18						T						
19												
20												
21		0.44										
22		1.76										
23		0.03										
24												
25												0.18
26												0.21
27			0.15									
28			0.62									
29												
30	0.55		T									
31	0.12											
Totals	0.67	2.23	4.02	0.49	0.02	0.00	0.00	0.00	0.00	0.00	0.00	0.44
												Water Year Total: 7.87

NOTE: All Values are in units of inches, unless otherwise specified.

LEGEND: A - Acculated Total
 E - Estimated
 T - Trace, unmeasurable amount of rain

Data Revised: March 2011

PRECIPITATION

DAILY RAINFALL SUMMARY

1252 Palos Verdes Landfill

Gage Type: Standard 8 inch diameter

Observation Time: 800

Latitude 33-45-40

Longitude: 118-20-03

Elevation: 400 Feet

Water Year from 10/01/1996 to 09/30/1997

Day	Oct	Nov	Dec	Jan	Feb	Mar	Apr	May	Jun	Jul	Aug	Sep
1				0.33								
2		1.53		0.23								
3												
4												
5			0.12									
6				0.05								
7												
8												
9			1.53									
10			1.40		0.09E							
11			0.32									
12			0.05	1.32								
13				0.10								
14				0.01								
15				1.75								0.04E
16												
17					0.04E							
18												
19												
20		0.35		0.02								
21				0.56								
22			0.15	0.65								
23				0.03								
24												
25												0.34E
26			0.05									
27			1.00									
28			0.03									
29	0.87											
30												
31	0.33											
Totals	1.20	1.88	4.65	5.05	0.13	0.00	0.00	0.00	0.00	0.00	0.00	0.38
												Water Year Total: 13.29

NOTE: All Values are in units of inches, unless otherwise specified.

LEGEND: A - Acculated Total
 E - Estimated
 T - Trace, unmeasurable amount of rain

Data Revised: March 2011

PRECIPITATION

DAILY RAINFALL SUMMARY

1253 Carson-County Sanitation

Gage Type: Standard 8 inch diameter

Observation Time: 800

Latitude 33-48-07

Longitude: 118-16-58

Elevation: 40 Feet

Water Year from 10/01/1996 to 09/30/1997

Day	Oct	Nov	Dec	Jan	Feb	Mar	Apr	May	Jun	Jul	Aug	Sep
1				0.15E								
2				0.25E								
3				0.09E								
4												
5			0.08	0.07E								
6			0.01									
7												
8												
9			1.72									
10			0.01		0.02							
11			1.21		0.02							
12			0.07	0.85E								
13				0.39E								
14				0.04E								
15				1.38E								
16												
17					0.03							
18												
19												
20		0.01										
21		1.70		0.07E								
22			0.16	0.43E								
23				0.62E								
24												
25				0.39E								0.35
26				0.57E								
27			0.85	0.04E								
28												
29												
30	1.26											
31			0.02									
Totals	1.26	1.71	4.13	5.34	0.07	0.00	0.00	0.00	0.00	0.00	0.00	0.35
Water Year Total:												12.86

NOTE: All Values are in units of inches, unless otherwise specified.

LEGEND: A - Acculated Total
 E - Estimated
 T - Trace, unmeasurable amount of rain

Data Revised: March 2011

PRECIPITATION

DAILY RAINFALL SUMMARY

1254 Long Beach Reclamation Plant

Gage Type: Standard 8 inch diameter

Observation Time: 800

Latitude 33-48-11

Longitude: 118-05-20

Elevation: 20 Feet

Water Year from 10/01/1996 to 09/30/1997

Day	Oct	Nov	Dec	Jan	Feb	Mar	Apr	May	Jun	Jul	Aug	Sep
1												
2				0.20								
3				0.41								
4												
5				0.02								
6			0.17	0.15								
7												
8												
9												
10			1.30									
11			1.34		0.10							
12			0.28									
13			0.01	1.82								
14				0.06								
15				0.06								T
16				0.83								
17												
18												
19												
20												
21		0.26										
22		1.90	0.03	0.35								
23		0.08	0.12	0.72								
24												
25												0.16
26				1.18								0.36
27			0.03	0.07								
28			0.82									
29												
30	0.60											
31	0.57											
Totals	1.17	2.24	4.10	5.87	0.10	0.00	0.00	0.00	0.00	0.00	0.00	0.52
												Water Year Total: 14.00

NOTE: All Values are in units of inches, unless otherwise specified.

LEGEND: A - Acculated Total
 E - Estimated
 T - Trace, unmeasurable amount of rain

Data Revised: March 2011

PRECIPITATION

DAILY RAINFALL SUMMARY

1255 Los Coyotes Reclamation Plant

Gage Type: Standard 8 inch diameter

Observation Time: 800

Latitude 33-53-05

Longitude: 118-06-24

Elevation: 70 Feet

Water Year from 10/01/1996 to 09/30/1997

Day	Oct	Nov	Dec	Jan	Feb	Mar	Apr	May	Jun	Jul	Aug	Sep
1				0.01								
2				0.16								
3				0.32								
4												
5				0.06								
6			0.14	0.06								
7												
8												
9												
10			1.57									
11			1.31		0.09							
12			0.34									
13			0.11	0.92								
14				0.06								
15				0.06								0.02
16				0.67								
17												
18												
19												
20												
21		0.37		0.04								
22		1.63	0.04	0.17								
23		0.15	0.10	1.03								
24				0.04								
25				0.02								0.13
26				1.39								0.41
27			0.04	0.20								
28			1.17									
29												
30	1.13		0.01									
31	0.35											
Totals	1.48	2.15	4.83	5.21	0.09	0.00	0.00	0.00	0.00	0.00	0.00	0.56
												Water Year Total: 14.32

NOTE: All Values are in units of inches, unless otherwise specified.

LEGEND: A - Acculated Total
 E - Estimated
 T - Trace, unmeasurable amount of rain

Data Revised: March 2011

PRECIPITATION

DAILY RAINFALL SUMMARY

1256 South Gate Transfer Station

Gage Type: Standard 8 inch diameter

Observation Time: 800

Latitude 33-56-40

Longitude: 118-09-56

Elevation: 100 Feet

Water Year from 10/01/1996 to 09/30/1997

Day	Oct	Nov	Dec	Jan	Feb	Mar	Apr	May	Jun	Jul	Aug	Sep
1				0.17								
2				0.41								
3												
4												
5			0.10									
6				0.06								
7												
8												
9			1.22									
10			1.22									
11			0.35									
12			0.08	1.10								
13				0.15								
14				0.02								
15				0.96								
16												
17												
18												
19												
20		0.28		T								
21		1.50		0.09								
22			0.19	0.72								
23				0.21								
24												
25												0.43E
26			0.07									
27			0.70									
28												
29	0.40											
30												
31	0.80											
Totals	1.20	1.78	3.93	3.89	0.00	0.00	0.00	0.00	0.00	0.00	0.00	0.43
Water Year Total:												11.23

NOTE: All Values are in units of inches, unless otherwise specified.

LEGEND: A - Acculated Total
 E - Estimated
 T - Trace, unmeasurable amount of rain

Data Revised: March 2011

PRECIPITATION

DAILY RAINFALL SUMMARY

1257 San Jose Creek Reclamation Plant

Gage Type: Standard 8 inch diameter

Observation Time: 800

Latitude 34-01-55

Longitude: 118-01-16

Elevation: 275 Feet

Water Year from 10/01/1996 to 09/30/1997

Day	Oct	Nov	Dec	Jan	Feb	Mar	Apr	May	Jun	Jul	Aug	Sep
1												
2				0.17								
3				0.51								
4												
5				0.05								
6			0.23									
7												
8												
9												
10			1.42									
11			1.15		0.15							
12			0.53									
13			0.03	1.37					0.04E			
14				0.14								
15				0.03								0.07
16				0.93								
17												
18												
19												
20												
21		0.32		0.01								
22		1.77	0.21	0.16								
23		0.03	0.27	0.96								
24												
25				0.02								0.25
26				1.50								0.57
27			0.05	0.53	0.03							
28			1.01									
29												
30	0.71											
31	1.17											
Totals	1.88	2.12	4.90	6.38	0.18	0.00	0.00	0.00	0.04	0.00	0.00	0.89
												Water Year Total: 16.39

NOTE: All Values are in units of inches, unless otherwise specified.

LEGEND: A - Acculated Total
 E - Estimated
 T - Trace, unmeasurable amount of rain

Data Revised: March 2011

PRECIPITATION

DAILY RAINFALL SUMMARY

1258 Puente Hills Landfill

Gage Type: Standard 8 inch diameter

Observation Time: 800

Latitude 34-01-35

Longitude: 118-01-49

Elevation: 300 Feet

Water Year from 10/01/1996 to 09/30/1997

Day	Oct	Nov	Dec	Jan	Feb	Mar	Apr	May	Jun	Jul	Aug	Sep
1				0.15								
2				0.51								
3												
4												
5			0.23									
6				0.04								
7												
8												
9			1.24									
10			1.00									
11			0.44		0.15E							
12			0.05	1.53								
13				0.12					0.04E			
14				0.02								
15				0.85								0.07E
16												
17												
18				0.01								
19												
20		0.25		0.03								
21		1.91		0.18								
22			0.51	0.93								
23		0.02		0.06								
24												
25												0.26E
26			0.08									0.55E
27			0.86		0.03E							
28			0.02									
29	0.65											
30												
31	0.56											
Totals	1.21	2.18	4.43	4.43	0.18	0.00	0.00	0.00	0.04	0.00	0.00	0.88
												Water Year Total: 13.35

NOTE: All Values are in units of inches, unless otherwise specified.

LEGEND: A - Acculated Total
 E - Estimated
 T - Trace, unmeasurable amount of rain

Data Revised: March 2011

PRECIPITATION

DAILY RAINFALL SUMMARY

1259 Whittier Narrows Reclamation Plant

Gage Type: Standard 8 inch diameter

Observation Time: 800

Latitude 34-03-59

Longitude: 118-03-54

Elevation: 225 Feet

Water Year from 10/01/1996 to 09/30/1997

Day	Oct	Nov	Dec	Jan	Feb	Mar	Apr	May	Jun	Jul	Aug	Sep
1												
2				0.17								
3				0.50								
4												
5				0.03								
6			0.23									
7												
8												
9												
10			1.45									
11			0.76		0.12							
12			0.59									
13			0.03	0.76								
14				0.16								
15				0.03								0.28
16				1.20								
17												
18												
19												
20												
21		0.32		0.02								
22		1.76	0.08	0.22								
23			0.19	1.17								
24				0.02								
25												0.17
26				1.90								0.62
27			0.03	0.49								
28			1.11									
29												
30	0.73											
31	0.67											
Totals	1.40	2.08	4.47	6.67	0.12	0.00	0.00	0.00	0.00	0.00	0.00	1.07
												Water Year Total: 15.81

NOTE: All Values are in units of inches, unless otherwise specified.

LEGEND: A - Acculated Total
 E - Estimated
 T - Trace, unmeasurable amount of rain

Data Revised: March 2011

PRECIPITATION

DAILY RAINFALL SUMMARY

1261 La Canada Reclamation Plant

Gage Type: Standard 8 inch diameter

Observation Time: 800

Latitude 34-13-00

Longitude: 118-11-14

Elevation: 1800 Feet

Water Year from 10/01/1996 to 09/30/1997

Day	Oct	Nov	Dec	Jan	Feb	Mar	Apr	May	Jun	Jul	Aug	Sep
1												
2				0.21								
3				0.98								
4												
5				0.43								
6			0.24									
7												
8												
9												
10			1.76									
11			2.10		0.62							
12			0.75	0.21								
13			0.02	1.61					0.22E			
14				0.12					0.02E			
15				0.10								
16				1.23								
17												
18					0.24E							
19												
20												
21		0.76		0.58								
22		2.35	0.31	0.32								
23			0.63	1.05								
24				0.12								
25												0.21
26				1.72								0.41
27			0.06	0.25	0.06							
28			0.62									
29												
30	0.98											
31	0.45											
Totals	1.43	3.11	6.49	8.93	0.92	0.00	0.00	0.00	0.24	0.00	0.00	0.62
												Water Year Total: 21.74

NOTE: All Values are in units of inches, unless otherwise specified.

LEGEND: A - Acculated Total
 E - Estimated
 T - Trace, unmeasurable amount of rain

Data Revised: March 2011

PRECIPITATION

DAILY RAINFALL SUMMARY

1262 Saugus Reclamation Plant

Gage Type: Standard 8 inch diameter

Observation Time: 800

Latitude 34-24-48

Longitude: 118-32-23

Elevation: 1150 Feet

Water Year from 10/01/1996 to 09/30/1997

Day	Oct	Nov	Dec	Jan	Feb	Mar	Apr	May	Jun	Jul	Aug	Sep
1												
2				0.07								
3				0.46								
4												
5												
6			0.06									
7												
8												
9												
10			1.39		0.08E							
11			0.67									
12			0.07									
13				0.60								
14				0.04								
15				0.48								
16				0.38								
17					0.07E							
18												
19												
20												
21		0.16		0.24								
22		1.17	1.02	0.06								
23			0.44	0.28								
24												
25				0.09								0.23E
26				0.42								
27			0.06	0.48								
28			0.21									
29												
30	0.58											
31	0.10		0.04									
Totals	0.68	1.33	3.96	3.60	0.15	0.00	0.00	0.00	0.00	0.00	0.00	0.23
												Water Year Total: 9.95

NOTE: All Values are in units of inches, unless otherwise specified.

LEGEND: A - Acculated Total
 E - Estimated
 T - Trace, unmeasurable amount of rain

Data Revised: March 2011

PRECIPITATION

DAILY RAINFALL SUMMARY

1263 Valencia Reclamation Plant

Gage Type: Standard 8 inch diameter

Observation Time: 800

Latitude 34-25-55

Longitude: 118-37-13

Elevation: 1000 Feet

Water Year from 10/01/1996 to 09/30/1997

Day	Oct	Nov	Dec	Jan	Feb	Mar	Apr	May	Jun	Jul	Aug	Sep
1												
2				0.03								
3				0.61								
4												
5				0.09								
6			0.06									
7												
8												
9												
10			1.27									
11			0.56		0.21							
12			0.09									
13				0.45								
14				0.02								
15				0.49								
16				0.35								
17												
18												
19												
20												
21		0.15		0.17								
22		1.23	0.55	0.10								
23			0.28	0.32								
24												
25												
26				0.52								0.13
27			0.11	0.67								
28			0.34									
29												
30	0.46											
31	0.08											
Totals	0.54	1.38	3.26	3.82	0.21	0.00	0.00	0.00	0.00	0.00	0.00	0.13
												Water Year Total: 9.34

NOTE: All Values are in units of inches, unless otherwise specified.

LEGEND: A - Acculated Total
 E - Estimated
 T - Trace, unmeasurable amount of rain

Data Revised: March 2011

PRECIPITATION

DAILY RAINFALL SUMMARY

1267 Lancaster Reclamation Plant

Gage Type: Standard 8 inch diameter

Observation Time: 800

Latitude 34-46-38

Longitude: 118-09-11

Elevation: 2302 Feet

Water Year from 10/01/1996 to 09/30/1997

Day	Oct	Nov	Dec	Jan	Feb	Mar	Apr	May	Jun	Jul	Aug	Sep
1												
2												0.37E
3							0.03E					0.01E
4												
5				0.13								
6												
7												
8												
9												
10			0.67									
11			0.06									
12												
13				0.20								
14												
15												
16				0.30								
17												
18												0.07E
19												
20												
21				0.05								
22		0.52								0.04E		
23			0.06									
24												
25												0.87E
26				0.10								
27												
28												
29												
30	0.27		0.05									
31	0.20											
Totals	0.47	0.52	0.84	0.78	0.00	0.00	0.03	0.00	0.00	0.04	0.00	1.32
												Water Year Total: 4.00

NOTE: All Values are in units of inches, unless otherwise specified.

LEGEND: A - Acculated Total
 E - Estimated
 T - Trace, unmeasurable amount of rain

Data Revised: March 2011

PRECIPITATION

DAILY RAINFALL SUMMARY

1268 Palmdale Reclamation Plant

Gage Type: Standard 8 inch diameter

Observation Time: 800

Latitude 34-35-30

Longitude: 118-05-10

Elevation: 2565 Feet

Water Year from 10/01/1996 to 09/30/1997

Day	Oct	Nov	Dec	Jan	Feb	Mar	Apr	May	Jun	Jul	Aug	Sep
1												
2												0.05E
3				0.11			0.14E					
4												0.04E
5												0.06E
6												
7												
8												
9												
10			0.73									
11			T									
12												
13				0.05								
14				0.02								
15				0.70								
16				0.30								
17					0.06E							
18												0.02E
19												
20												
21												
22		0.33	0.07									
23			0.22									
24												
25												0.13
26												0.77
27												
28												
29												
30	0.28											
31	0.58											
Totals	0.86	0.33	1.02	1.18	0.06	0.00	0.14	0.00	0.00	0.00	0.00	1.07
												Water Year Total: 4.66

NOTE: All Values are in units of inches, unless otherwise specified.

LEGEND: A - Acculated Total
 E - Estimated
 T - Trace, unmeasurable amount of rain

Data Revised: March 2011

PRECIPITATION

DAILY RAINFALL SUMMARY

1271 Pomona Waste Reclamation Plant

Gage Type: Standard 8 inch diameter

Observation Time: 800

Latitude 34-03-18

Longitude: 117-47-34

Elevation: 786 Feet

Water Year from 10/01/1996 to 09/30/1997

Day	Oct	Nov	Dec	Jan	Feb	Mar	Apr	May	Jun	Jul	Aug	Sep
1												
2				0.22								
3				0.81								
4												
5				0.09								
6			0.25									
7												
8												
9												
10			1.56									
11			0.93		0.11							
12			0.56									
13				0.53					0.10E			
14				0.25								
15												0.08
16				0.60								
17												
18												
19												
20												
21		0.39		0.15								
22		2.58	0.15	0.27								
23			0.66	0.78								
24				0.05								
25												0.13
26				1.66								0.46
27			0.02	0.92								
28			0.82									
29												
30	0.28											
31	0.89											
Totals	1.17	2.97	4.95	6.33	0.11	0.00	0.00	0.00	0.10	0.00	0.00	0.67
												Water Year Total: 16.30

NOTE: All Values are in units of inches, unless otherwise specified.

LEGEND: A - Acculated Total
 E - Estimated
 T - Trace, unmeasurable amount of rain

Data Revised: March 2011

PRECIPITATION

DAILY RAINFALL SUMMARY

1274 Whittier - Valna Drive

Gage Type: Standard 8 inch diameter (DPW)

Observation Time: 800

Latitude 33-57-39

Longitude: 118-01-10

Elevation: 255 Feet

Water Year from 10/01/1996 to 09/30/1997

Day	Oct	Nov	Dec	Jan	Feb	Mar	Apr	May	Jun	Jul	Aug	Sep
1				0.06								
2				0.14								
3				0.22								
4												
5				0.02								
6			0.15	T								
7			T									
8												
9												
10			1.52									
11			1.25		0.12							
12			0.32	0.04								
13			0.01	1.15								
14				0.09					0.10			
15				0.02								0.02
16				0.84								
17												
18												
19												
20												
21		0.25		T								
22		1.70	0.03	0.10								
23		0.08	0.05	1.15								
24				0.05								A
25				0.01								A
26				1.18								A
27			0.03	0.42	T							A
28			1.13									0.72A
29												
30	0.93											
31	0.50											
Totals	1.43	2.03	4.49	5.49	0.12	0.00	0.00	0.00	0.10	0.00	0.00	0.74
												Water Year Total: 14.40

NOTE: All Values are in units of inches, unless otherwise specified.

LEGEND: A - Acculated Total
 E - Estimated
 T - Trace, unmeasurable amount of rain

Data Revised: March 2011

PRECIPITATION

DAILY RAINFALL SUMMARY

1277 DPW Headquarters, Fremont

Gage Type: Daily Automatic (DPW)

Observation Time: 2400

Latitude 34-05-12

Longitude: 118-09-01

Elevation: 450 Feet

Water Year from 10/01/1996 to 09/30/1997

Day	Oct	Nov	Dec	Jan	Feb	Mar	Apr	May	Jun	Jul	Aug	Sep
1				0.12								
2			0.47	0.31								
3				0.16								
4												
5			0.11									
6			0.04									
7												
8												
9			1.70									
10			1.14		0.08							
11			0.90									
12			0.08	1.14								
13				0.20					0.04			
14				0.08								
15				1.02								
16												
17												
18												
19												
20				0.04								
21		1.34		0.16								
22		0.20		0.31								
23				0.75								
24												
25				0.91								0.51
26				0.67								
27			0.71									
28			0.08									
29												
30	0.92E											
31	0.27E											
Totals	1.19	1.54	5.23	5.87	0.08	0.00	0.00	0.00	0.04	0.00	0.00	0.51
												Water Year Total: 14.46

NOTE: All Values are in units of inches, unless otherwise specified.

LEGEND: A - Acculated Total
 E - Estimated
 T - Trace, unmeasurable amount of rain

Data Revised: March 2011

APPENDIX B

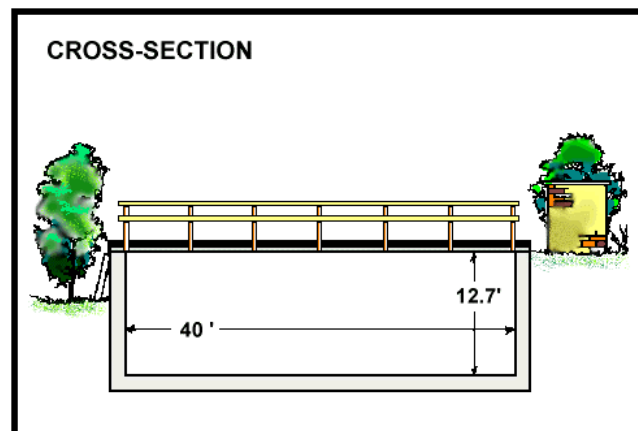
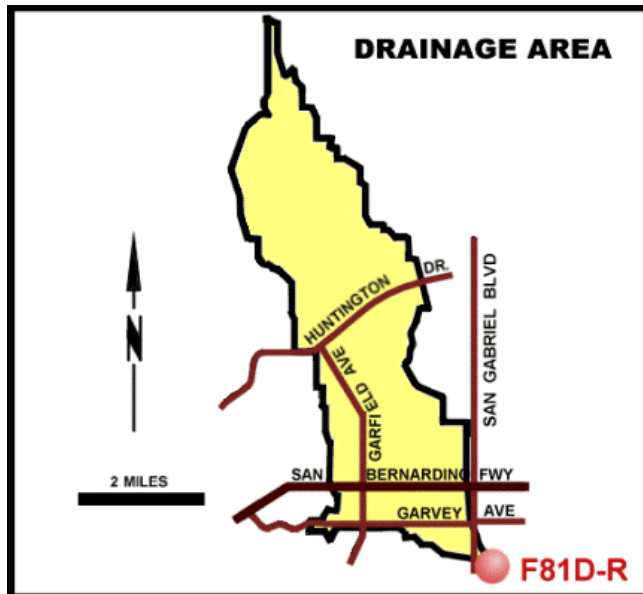
RUNOFF - STREAM GAGING STATION INFORMATION

RUNOFF - STREAM GAGING STATION INFORMATION

ALHAMBRA WASH

above Klingerman Street

STATION NO. F81D-R



RECORDER 5 min. interval data logger.

METHOD OF MEASUREMENT wading or from footbridge.

DRAINAGE AREA 15.20 square miles.

LOCATION 250 feet *above* Klingerman Street and 2650 feet *below* Garvey Avenue, South San Gabriel

REGULATION none.

DIVERSION none.

CHANNEL concrete, rectangular in section, 40.0 feet wide by 12.7 feet deep.

CONTROL channel forms control.

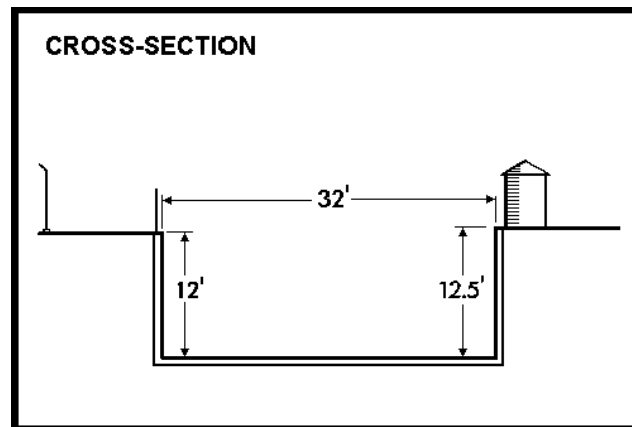
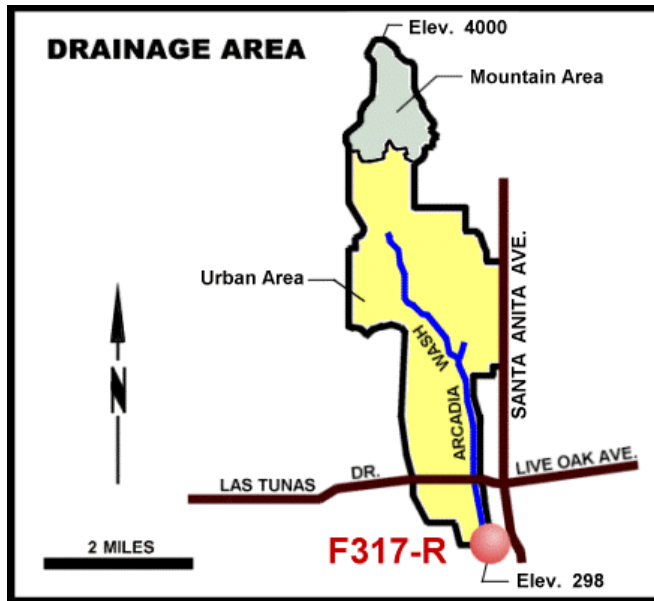
LENGTH OF RECORD at Station F81-R, January 14, 1930 to September 30, 1934; at Station F81B-R, October 1, 1934 to February 25, 1935; at Station F81C-R February 25, 1935 to April 27, 1936; at Station F81B-R April 27, 1936 to May 22, 1936; at Station F81D-R, September 2, 1936 to date.

RUNOFF - STREAM GAGING STATION INFORMATION

ARCADIA WASH

below Grand Avenue

STATION NO. F317-R



RECORDER 5 min. interval data logger.

METHOD OF MEASUREMENT low flows measured by wading. High flows measured from upstream side of Grand Avenue bridge.

DRAINAGE AREA 8.50 square miles.

LOCATION on the west wall of Arcadia Wash about 75 feet downstream from centerline of Grand Avenue.

REGULATION several debris basins located upstream.

DIVERSION none.

CHANNEL concrete, rectangular section.

CONTROL

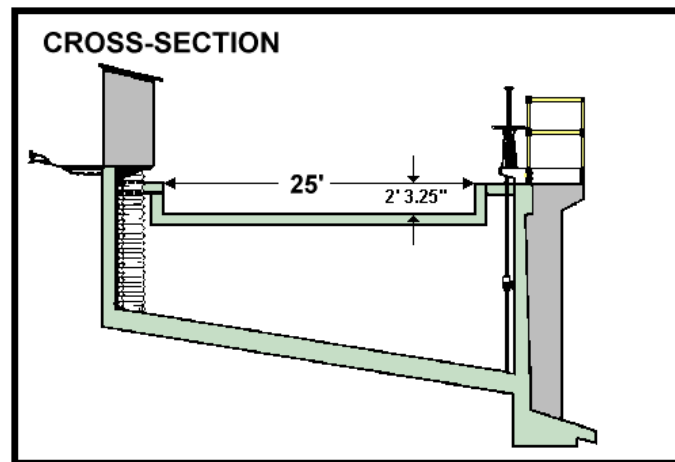
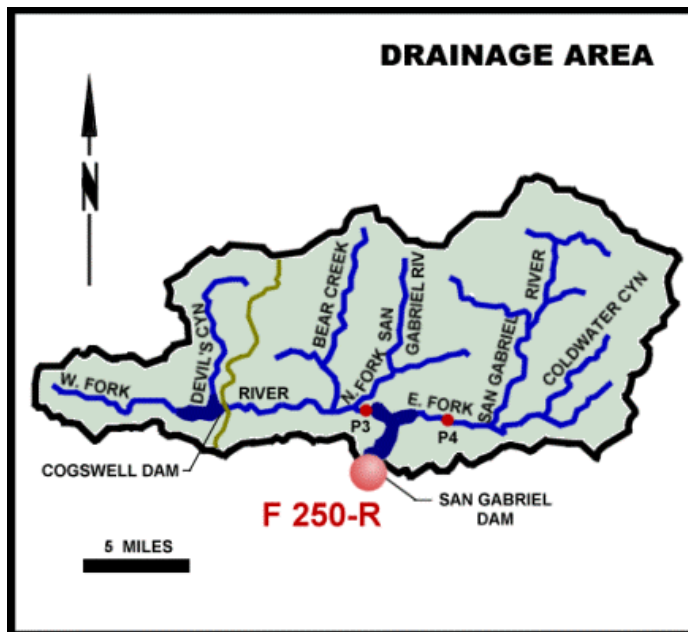
LENGTH OF RECORD December 12, 1955 to date.

RUNOFF - STREAM GAGING STATION INFORMATION

AZUSA CONDUIT

(Sandbox 20' weir)

STATION NO. F250-R



RECORDER 5 min. interval data logger.

METHOD OF MEASUREMENT weir formula with gage height observation.

DRAINAGE AREA 202.70 square miles.

LOCATION on the concrete conduit which diverts from San Gabriel Dam, 160 feet below the dam.

REGULATION regulated in section.

DIVERSION none.

CHANNEL 25-foot concrete weir.

CONTROL channel forms control.

LENGTH OF RECORD February 26, 1933 to date.

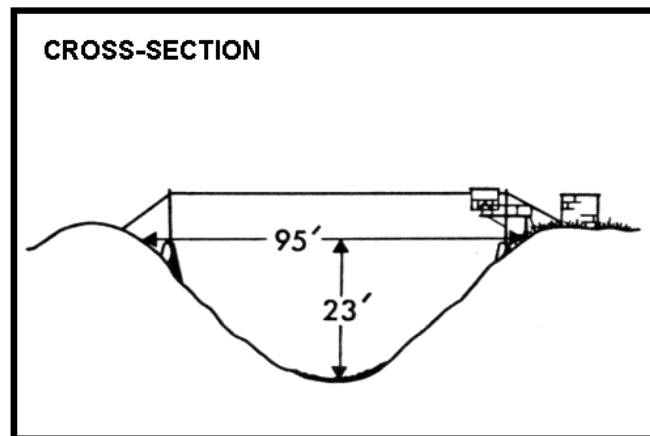
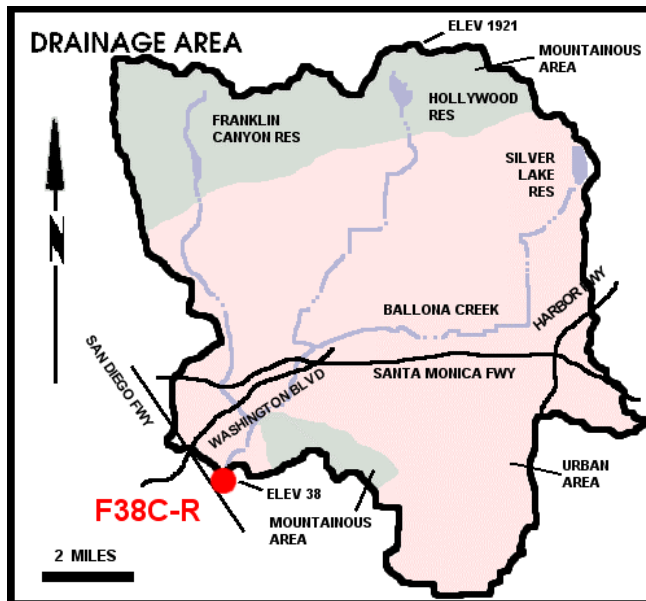
REMARKS approximate capacity 95 second-feet.

RUNOFF - STREAM GAGING STATION INFORMATION

BALLONA CREEK

above Sawtelle Blvd.

STATION NO. F38C-R



RECORDER continuous water stage.

METHOD OF MEASUREMENT wading or from cable car.

DRAINAGE AREA 88.60 square miles.

LOCATION 530.0 feet above Sawtelle Boulevard, 1.5 miles southwest of Culver City.

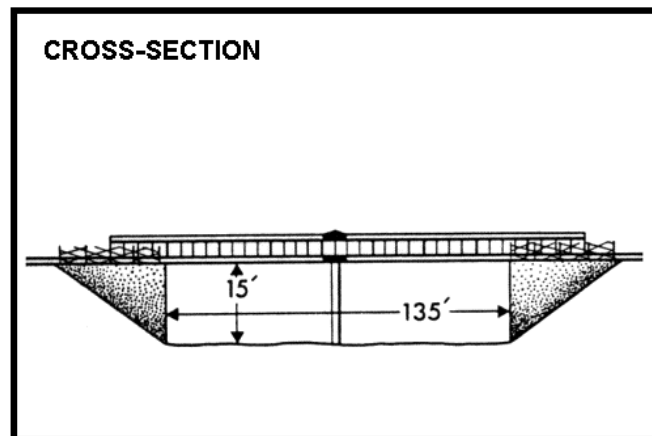
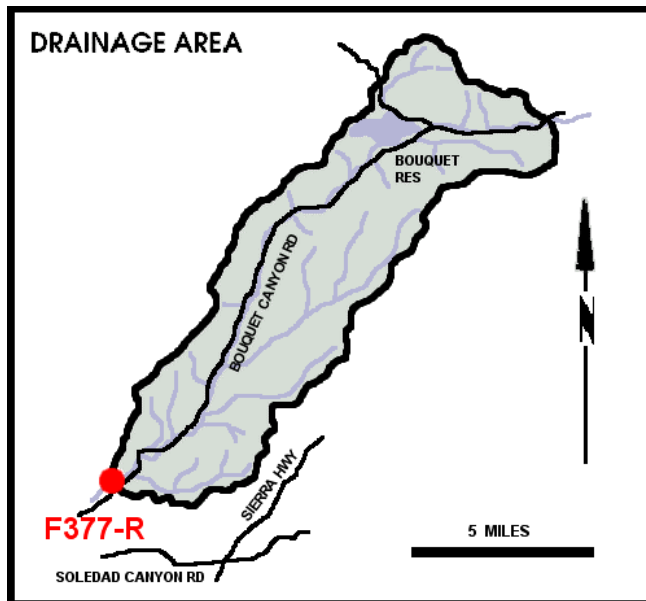
REGULATION Stone Canyon Reservoir prior to January, 1951. Upper and Lower Franklin Canyon Reservoir, Hollywood Reservoir, and Silverlake Reservoir.

DIVERSION none.

CHANNEL concrete rubble, trapezoidal in section.

CONTROL channel forms control.

LENGTH OF RECORD at station F38-R, February 27, 1928 to April 27, 1936; at Station F38B-R, May 14, 1936 to August 10, 1967; at Station F38C-R, August 10, 1967 to date.

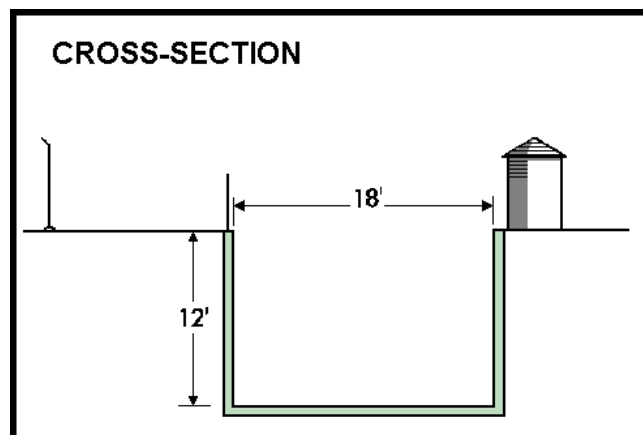
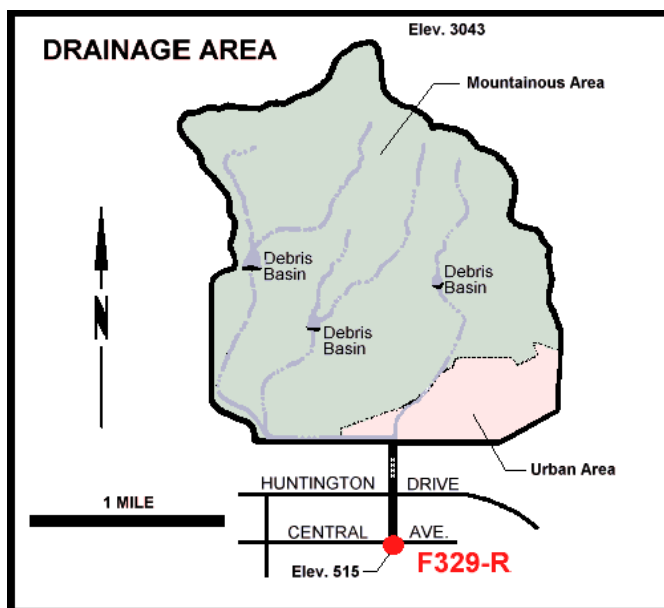
RUNOFF - STREAM GAGING STATION INFORMATION**BOUQUET CANYON CREEK****@ Urbandale Avenue****STATION NO. F377-R****RECORDER** continuous water stage.**METHOD OF MEASUREMENT** wading or from bridge.**DRAINAGE AREA** 51.90 square miles.**LOCATION** Bouquet Canyon Creek @ Urbandale Avenue, 3.5 miles northeast of Saugus.**REGULATION** Bouquet Reservoir.**DIVERSION** none.**CHANNEL** concrete sides with natural bottom, trapezoidal in section.**CONTROL** concrete stabilizer.**LENGTH OF RECORD** October 11, 1967 to date.

RUNOFF - STREAM GAGING STATION INFORMATION

BRADBURY CHANNEL

below Central Avenue

STATION NO. F329-R



RECORDER 5 min. interval data logger.

METHOD OF MEASUREMENT low flows measured by wading. High flows measured from footbridge four feet downstream from recorder.

DRAINAGE AREA 3.30 square miles.

LOCATION on the east wall of Bradbury Channel, 200 feet downstream from the centerline of Central Avenue, one mile east of Duarte.

REGULATION two debris basins located upstream.

DIVERSION none.

CHANNEL rectangular concrete, 18 feet wide, 12 feet deep.

CONTROL channel forms control.

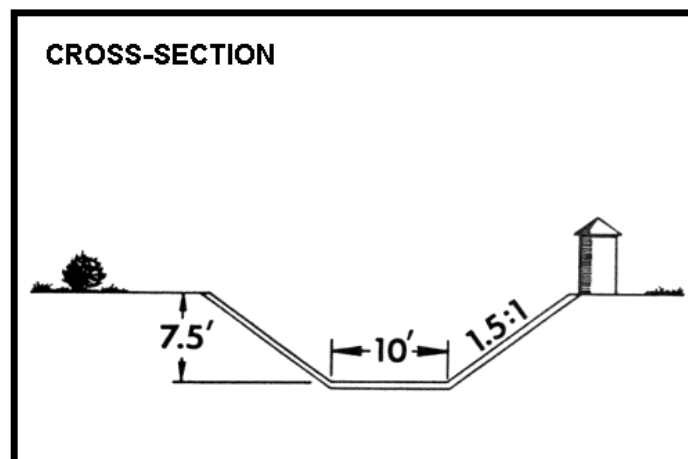
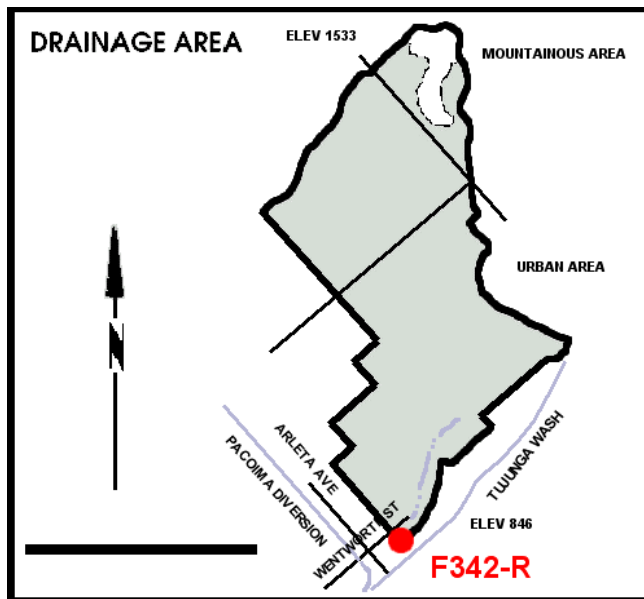
LENGTH OF RECORD June 14, 1957 to date.

RUNOFF - STREAM GAGING STATION INFORMATION

BRANFORD STREET CHANNEL

below Sharp Avenue

STATION NO. F342-R



RECORDER 15 min. punch tape.

METHOD OF MEASUREMENT low flows measured by wading. High flows measured by floats.

DRAINAGE AREA 5.01 square miles.

LOCATION on the south bank of channel, 125 feet downstream from Sharp Avenue, about 3.6 miles south of San Fernando.

REGULATION flow from Lopez Creek is diverted to Hansen Dam at the mouth of Lopez Canyon.

DIVERSION none.

CHANNEL trapezoidal, 10 feet wide at bottom and 7.5 feet deep with 1.5 to 1 side slopes.

CONTROL channel forms control.

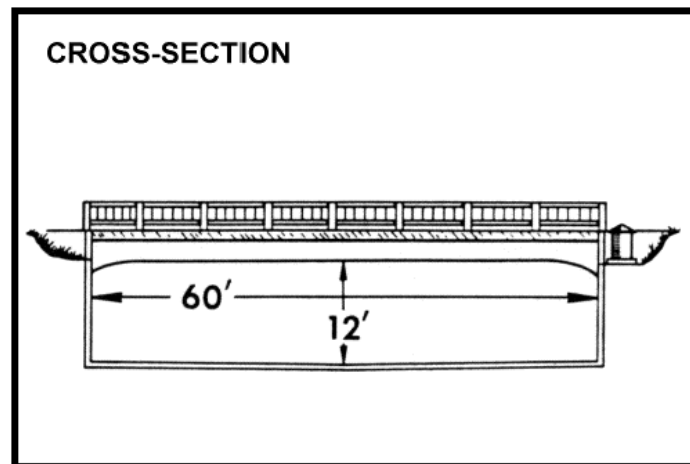
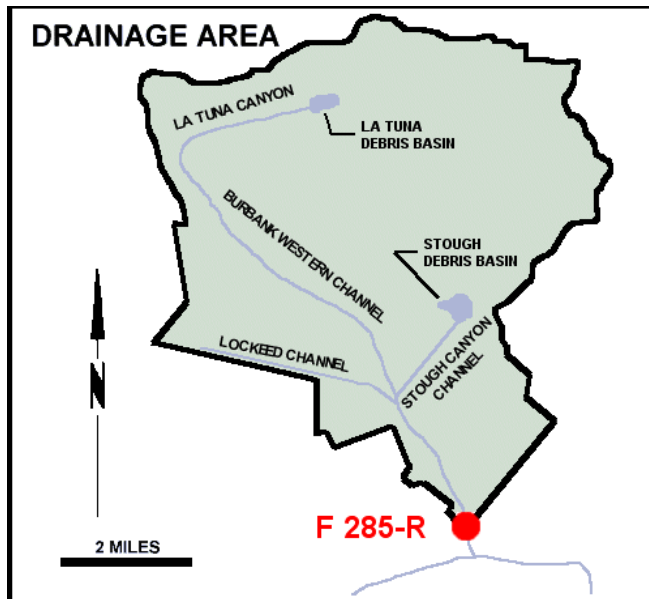
LENGTH OF RECORD January 12, 1962 to date.

RUNOFF - STREAM GAGING STATION INFORMATION

BURBANK WESTERN STORM DRAIN

@ Riverside Drive

STATION NO. E285-R



RECORDER continuous water stage.

METHOD OF MEASUREMENT wading or from bridge.

DRAINAGE AREA 25 square miles.

LOCATION 20 feet upstream from Riverside Drive, Glendale.

REGULATION several debris basins on tributaries.

DIVERSION none.

CHANNEL concrete, rectangular section.

CONTROL channel forms control.

LENGTH OF RECORD October 1, 1949 to date.

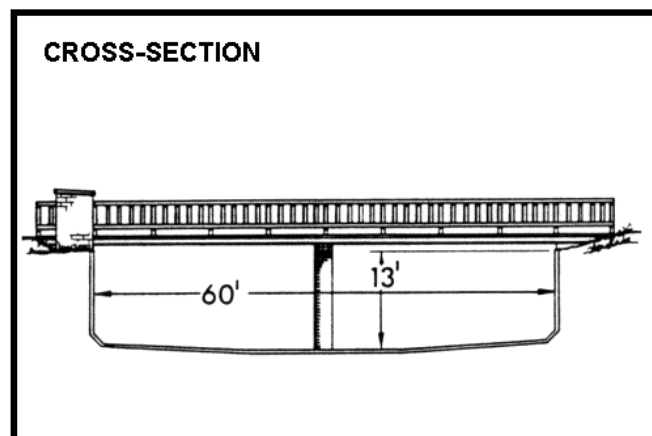
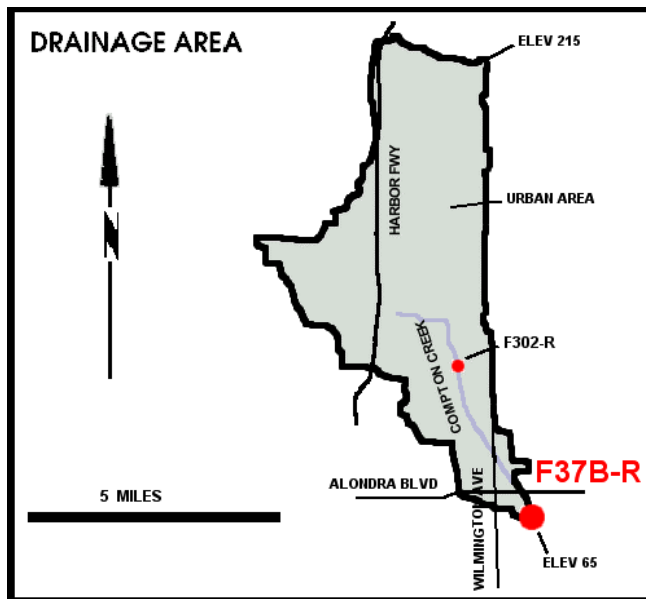
REMARKS operated in cooperation with the USCE.

RUNOFF - STREAM GAGING STATION INFORMATION

COMPTON CREEK

near Greenleaf Drive

STATION NO. F37B-R



RECORDER continuous water stage.

METHOD OF MEASUREMENT wading or from bridge.

DRAINAGE AREA 22.60 square miles.

LOCATION 120.0 feet above Greenleaf Boulevard, 1.5 miles south west of Compton.

REGULATION none.

DIVERSION none.

CHANNEL concrete, rectangular in section, 60 feet wide by 13 feet deep.

CONTROL channel forms control.

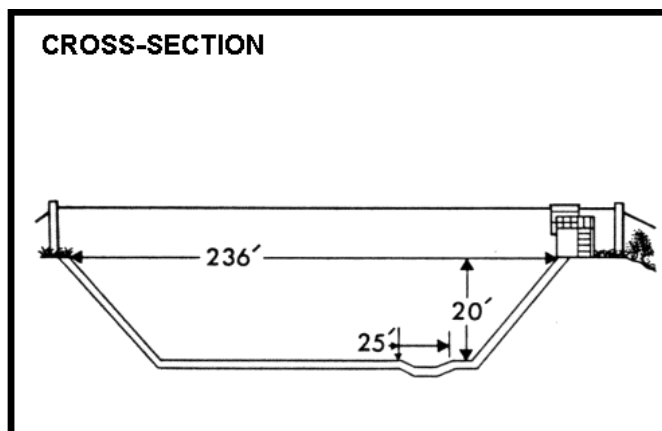
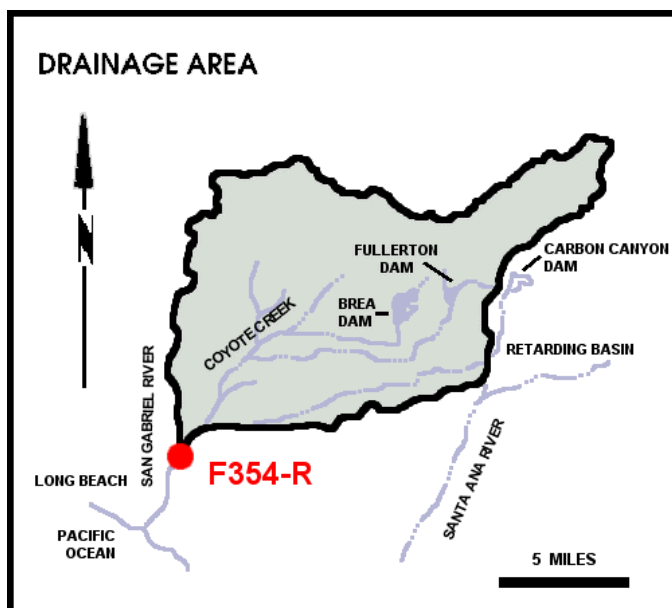
LENGTH OF RECORD at Station F37-R, January 22, 1928 to June 9, 1938; at Station F37B-R, October 3, 1938 to date.

RUNOFF - STREAM GAGING STATION INFORMATION

COYOTE CREEK

below Spring Street

STATION NO. F354-R



RECORDER continuous water stage.

METHOD OF MEASUREMENT wading or from cable car.

DRAINAGE AREA 185 square miles.

LOCATION 241 feet below Spring Street, 5.7 miles northeast of Long Beach.

REGULATION partially regulated by Fullerton Dam, Brea Dam, and Carbon Canyon Dam.

DIVERSION none.

CHANNEL concrete, trapezoidal in section.

CONTROL channel forms control.

LENGTH OF RECORD December 19, 1936 to date.

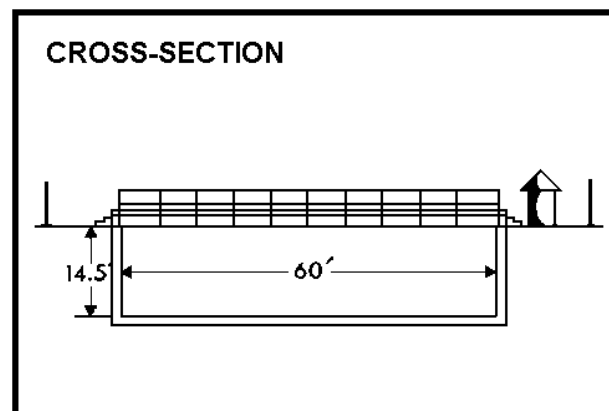
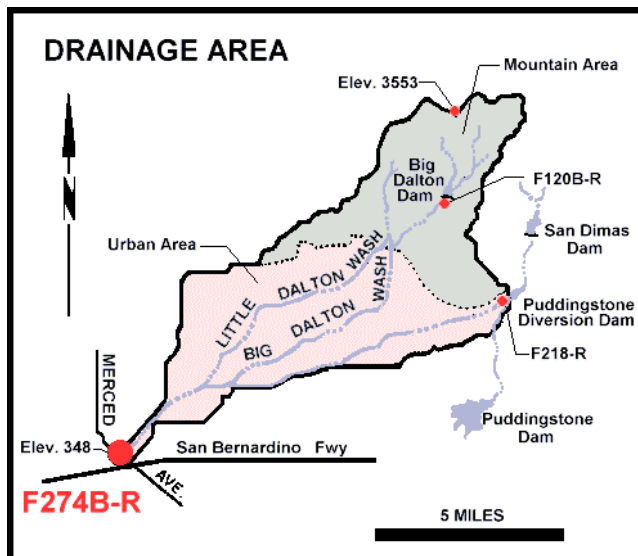
REMARKS previous gaging station for record correlation: Station F41-S, December 1, 1928 to January 14, 1930; Station F41-R, January 14, 1930 to October 30, 1936; Station F41B-R, October 30, 1936 to February 17, 1937; Station F41C-R, February 18, 1937 to February 8, 1956; Station F320-R, February 9, 1956 to July 2, 1965.

RUNOFF - STREAM GAGING STATION INFORMATION

DALTON WASH

@ Merced Avenue

STATION NO. F274B-R



RECORDER 5 min. interval data logger.

METHOD OF MEASUREMENT low flows measured by wading. High flows measured from footbridge 100 feet from station.

DRAINAGE AREA 35.95 square miles.

LOCATION on the west bank and upstream of Merced Avenue about 150 feet, about one-half miles above the junction with Walnut Wash and about one mile south of Baldwin Park.

REGULATION partly regulated by Big Dalton Dam, San Dimas Dam, Puddingstone Diversion Dam, Big Dalton Spreading Grounds, Little Dalton Spreading Grounds, Big Dalton Debris Basin, Little Debris Basin and Irwindale Spreading Grounds.

DIVERSION none.

CHANNEL concrete, rectangular section.

CONTROL channel forms control.

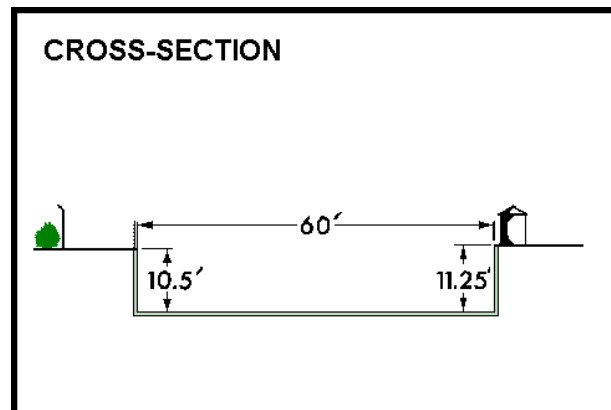
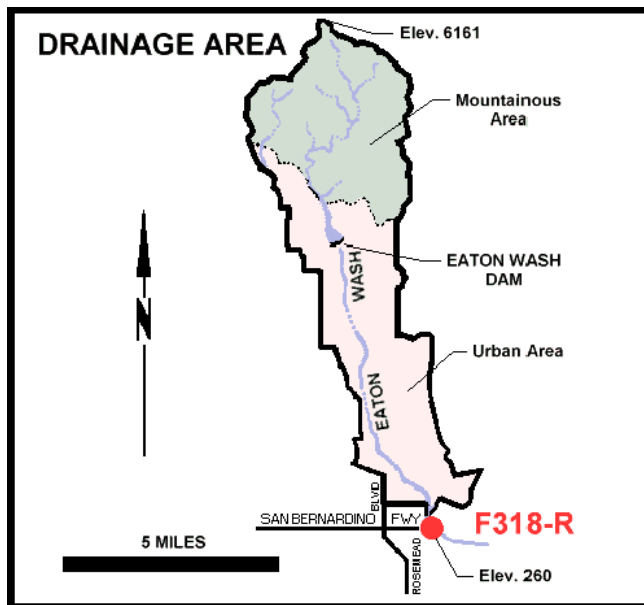
LENGTH OF RECORD REMARKS flow may include imported water originating at San Dimas.

RUNOFF - STREAM GAGING STATION INFORMATION

EATON WASH

@ Loftus Drive

STATION NO. F318-R



RECORDER 5 min. interval data logger.

METHOD OF MEASUREMENT low flows measured by wading. High flows measured from upstream side of East Loftus Drive bridge.

DRAINAGE AREA 22.80 square miles.

LOCATION on the west wall of the channel 52 feet above the centerline of East Loftus Drive bridge, 1.3 miles west of El Monte.

REGULATION partly regulated by Eaton Dam.

DIVERSION the Pasadena Water Department diverts some water just above the mouth of Eaton Canyon. The Flood Control District Diverts water to spreading grounds below Eaton Dam and below Huntington Drive.

CHANNEL rectangular concrete, 60 feet wide, 11.3 feet.

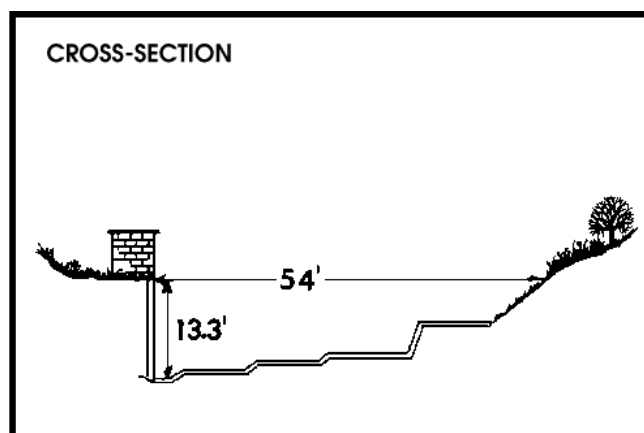
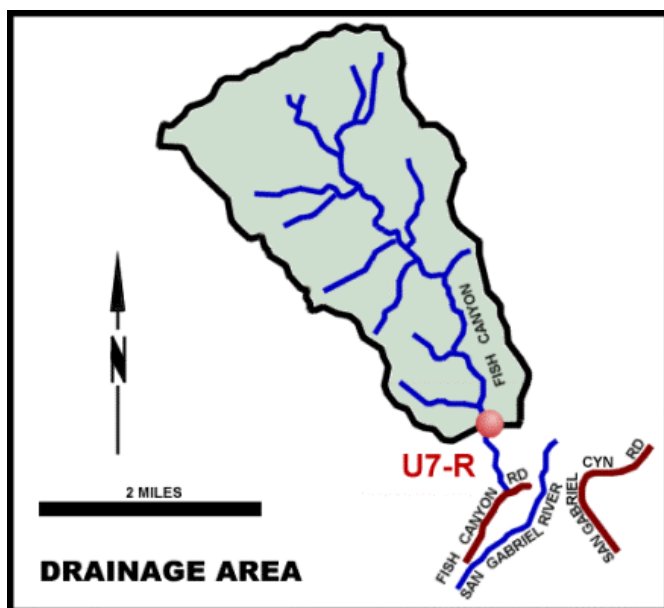
CONTROL channel forms control.

LENGTH OF RECORD 1956 to date.

RUNOFF - STREAM GAGING STATION INFORMATION

FISH CREEK

above Mouth of Canyon
STATION NO. U7-R



RECORDER 5 min. interval data logger.

METHOD OF MEASUREMENT wading.

DRAINAGE AREA 6.36 square miles.

LOCATION 0.8 miles upstream of Mouth of Canyon and 3.0 miles northeast of Duarte.

REGULATION none.

DIVERSION none.

CHANNEL natural, rock and gravel.

CONTROL concrete control.

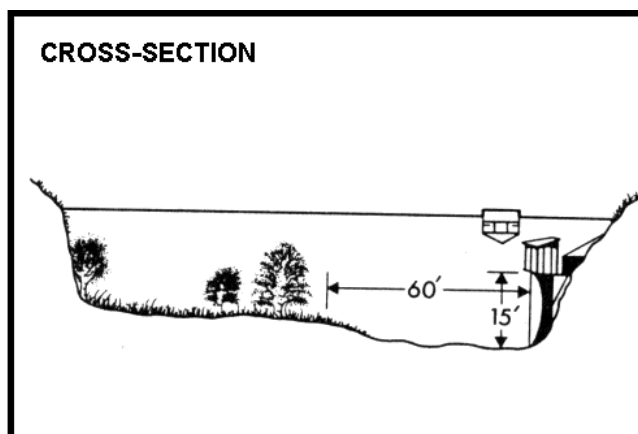
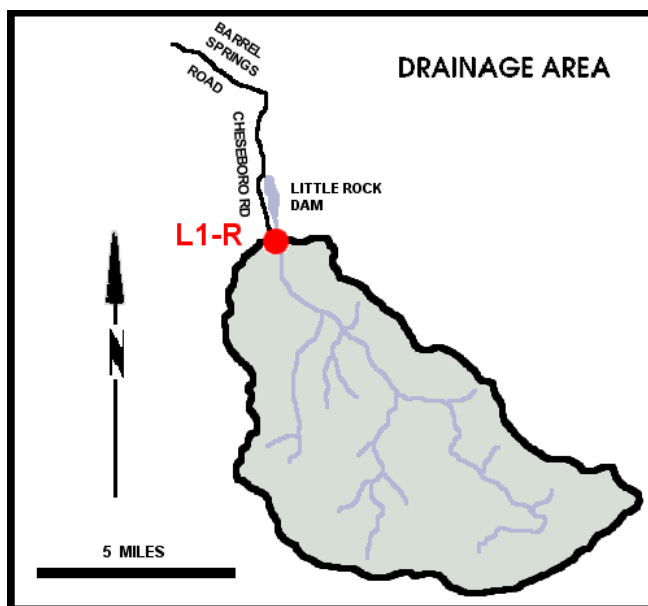
LENGTH OF RECORD July to September 1916; July 1917 to date.

REMARKS operated and maintained by USGS until October 1, 1971.

RUNOFF - STREAM GAGING STATION INFORMATION

LITTLE ROCK CREEK

above Little Rock Dam
STATION NO. L1-R



RECORDER continuous water stage.

METHOD OF MEASUREMENT wading or from cable car.

DRAINAGE AREA 49.20 square miles.

LOCATION 2.0 miles above Little Rock Dam, 5.0 miles south of Little Rock.

REGULATION none.

DIVERSION none.

CHANNEL Sand, gravel, and boulder, natural in section.

CONTROL channel forms control.

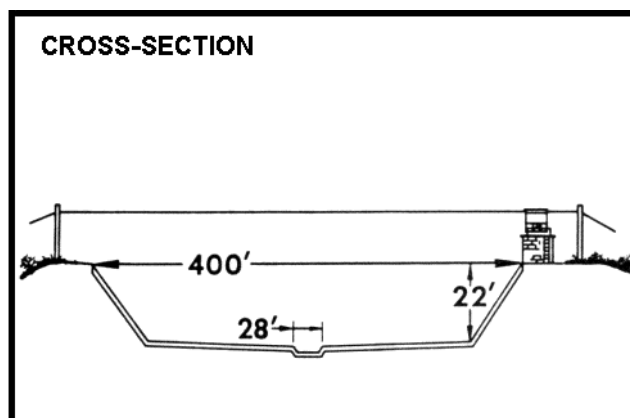
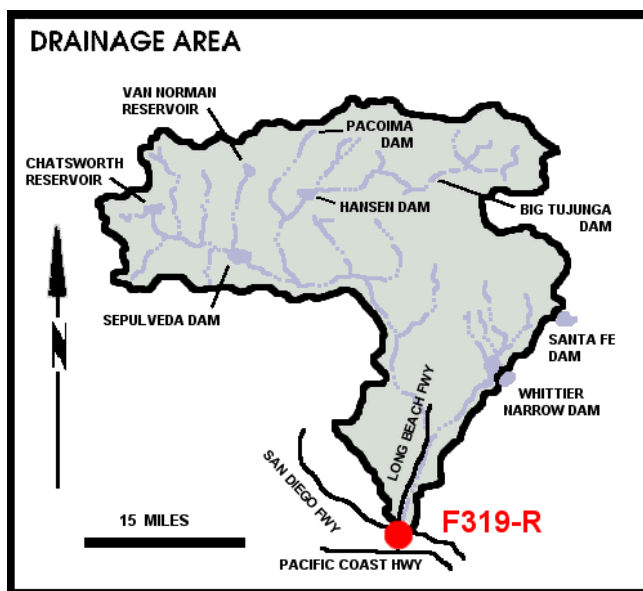
LENGTH OF RECORD October 1, 1930 to date.

RUNOFF - STREAM GAGING STATION INFORMATION

LOS ANGELES RIVER

below Wardlow River Road

STATION NO. F319-R



RECORDER continuous water stage.

METHOD OF MEASUREMENT wading or from cable car.

DRAINAGE AREA 815.00 square miles.

LOCATION 900.0 feet below Wardlow Road, Long Beach.

REGULATION flow is subject to the same regulation as Station F34D-R and P45B-R.

DIVERSION flows diverted to Dominguez Gap Spreading Grounds.

CHANNEL trapezoidal, concrete, 302.0 feet wide at bottom with 2.25:1 side slopes. Low flow channel 28.0 feet wide by 1.0 foot deep in center of channel.

CONTROL channel forms control.

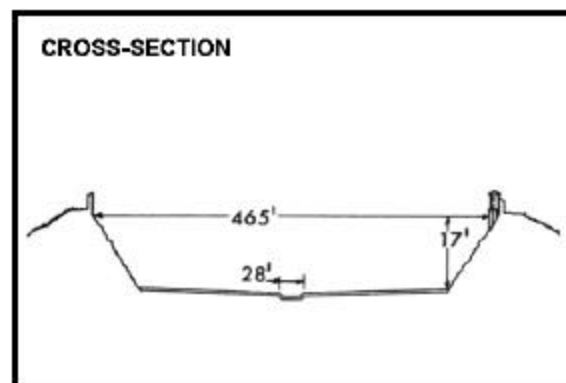
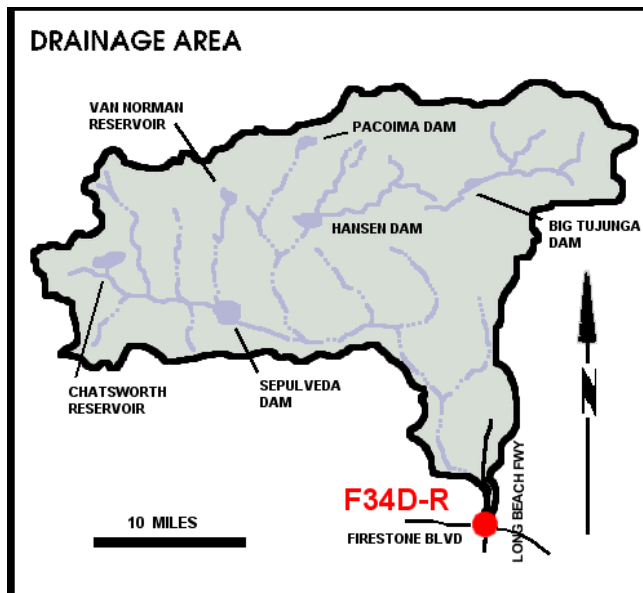
LENGTH OF RECORD at Station F180-R, October 31, 1931 to January 13, 1956; at Station F319-R, January 13, 1956 to date.

REMARKS prior to 1931, see Station F36-R.

RUNOFF - STREAM GAGING STATION INFORMATION

LOS ANGELES RIVER

below Firestone Blvd.
STATION NO. F34D-R



RECORDER continuous water stage.

METHOD OF MEASUREMENT wading or from bridge.

DRAINAGE AREA 596.00 square miles.

LOCATION 472.0 feet downstream of Firestone Boulevard, 3.0 miles west of Downey.

REGULATION partially regulated by Sepulveda, Pacoima, Big Tujunga, Hansen, and Devil's Gate Dam; and by several spreading grounds, reservoirs, and debris basins.

DIVERSION none.

CHANNEL concrete, with rip-rap side slopes, trapezoidal in section, with trapezoidal low flow channel.

CONTROL channel forms control.

LENGTH OF RECORD at Station F34-R, March 1, 1928 to April 11, 1938; at Station F34B-r, April 11, 1938 to November 3, 1949; at Station F34C-R, November 4, 1949 to December 11, 1956; at Station F34D-R, December 11, 1956 to date.

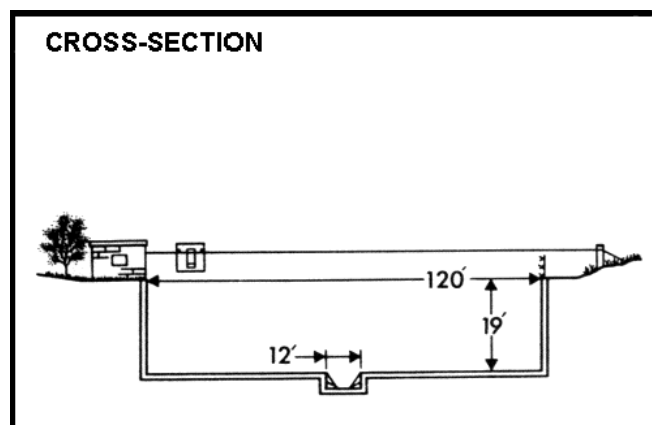
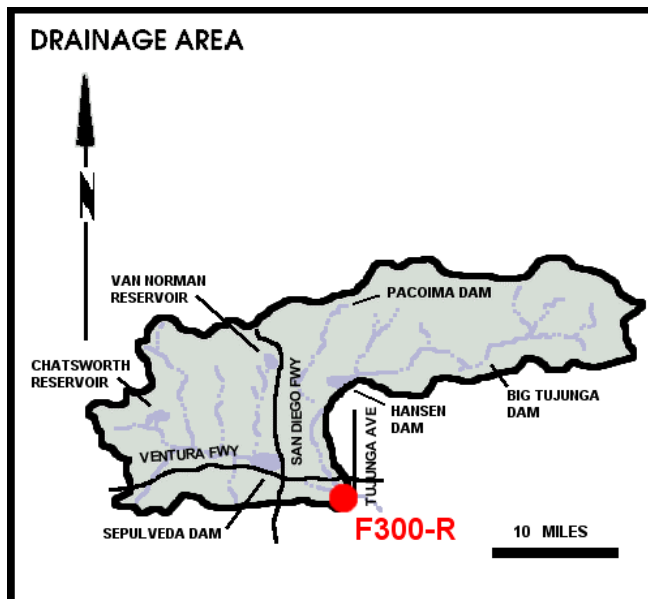
REMARKS subject to diversion from Big Tujunga Creek, Arroyo Seco, and other domestic irrigation diversions.

RUNOFF - STREAM GAGING STATION INFORMATION

LOS ANGELES RIVER

@ Tujunga Avenue

STATION NO. F300-R



RECORDER continuous water stage.

METHOD OF MEASUREMENT wading or from cable car.

DRAINAGE AREA 401 square miles.

LOCATION 200 feet above Tujunga Avenue bridge, Studio City.

REGULATION flow regulated by Sepulveda, Big Tujunga, Hansen, Pacoima Dams, Lopez Debris Dam, and Project No. 85 Diversion.

DIVERSION none.

CHANNEL concrete, rectangular section, 120 feet wide by 19 feet deep.

CONTROL channel forms control.

LENGTH OF RECORD from May 8, 1950 to date.

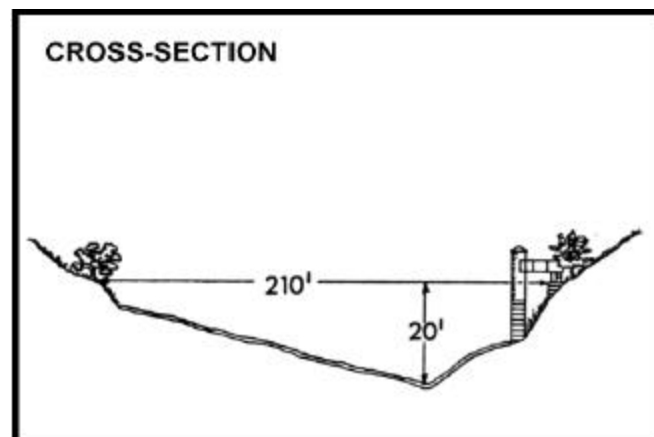
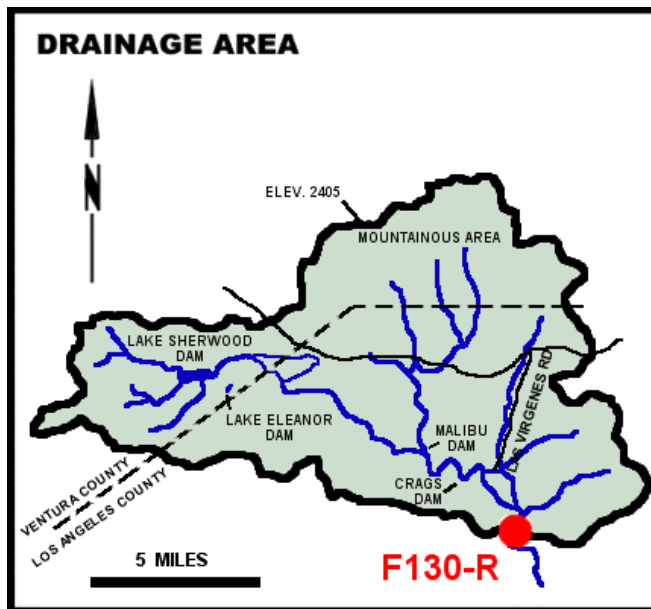
REMARKS subject to diversions at mouth of Big Tujunga and Pacoima Canyons for irrigation, at Big Tujunga, Branford, Hansen, and Pacoima Spreading Grounds.

RUNOFF - STREAM GAGING STATION INFORMATION

MALIBU CREEK

below Cold Creek

STATION NO. F130-R



RECORDER continuous water stage.

METHOD OF MEASUREMENT wading or from cable car.

DRAINAGE AREA 104.96 square miles.

LOCATION 0.2 mile downstream of Cold Creek, 6.0 miles southwest of Calabasas.

REGULATION Lake Sherwood Dam, Lake Eleanor Dam, Malibu Lake Dam and Crag's Dam. Other small recreational dams affect low summer flows.

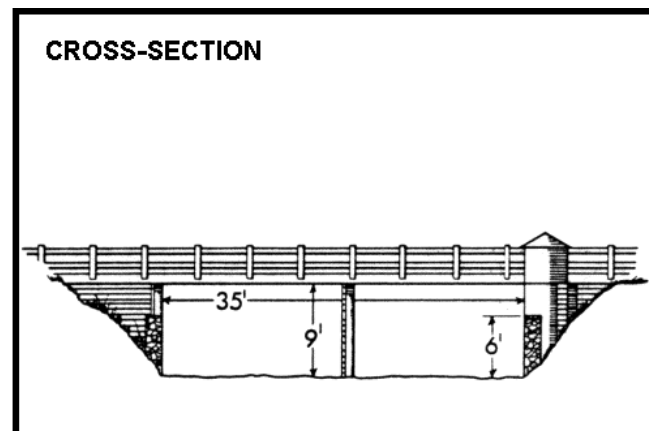
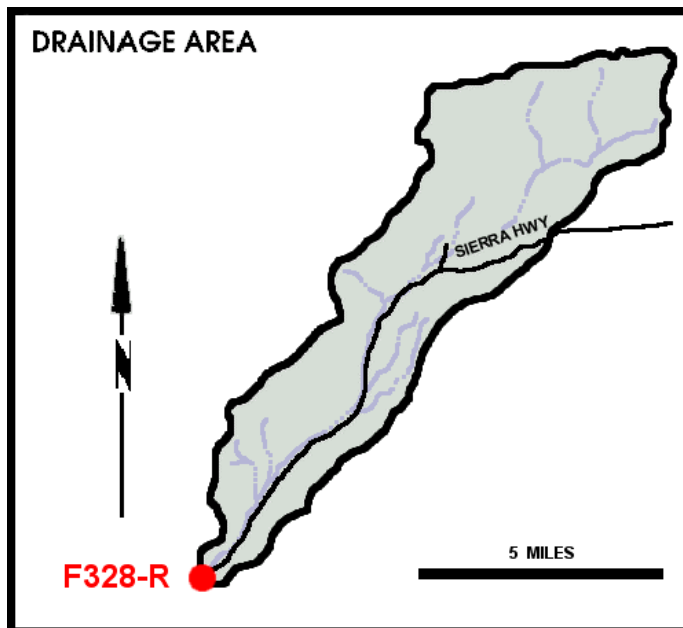
DIVERSION none.

CHANNEL coarse sand and gravel, lined with trees and brush, natural in section.

CONTROL concrete stabilizer.

LENGTH OF RECORD January 17, 1931 to date.

REMARKS cableway washed out on January 25, 1969; no high flow measurements since that date.

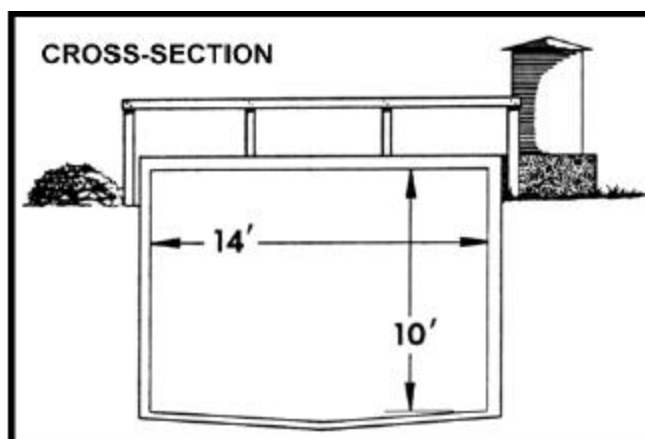
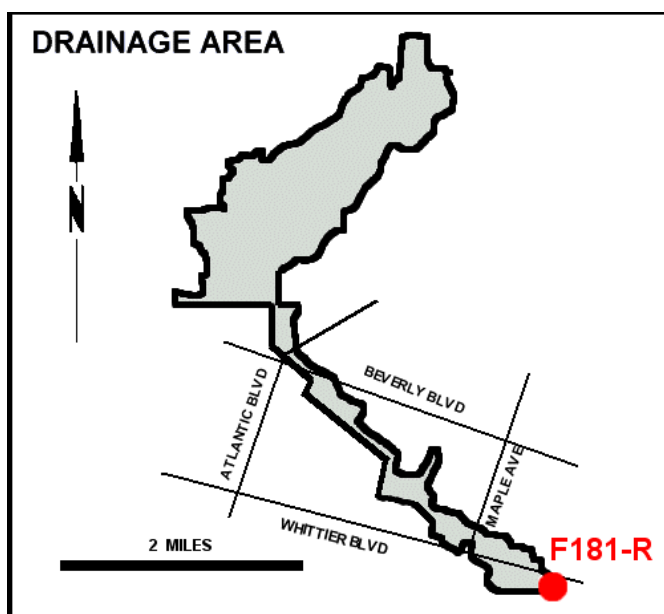
RUNOFF - STREAM GAGING STATION INFORMATION**MINT CANYON CREEK****@ Fitch Avenue****STATION NO. F328-R****RECORDER** continuous water stage.**METHOD OF MEASUREMENT** wading or from cable car.**DRAINAGE AREA** 26.90 square miles.**LOCATION** 8.5 miles northeast of Saugus on west end of Fitch Avenue bridge.**REGULATION** none.**DIVERSION** none.**CHANNEL** natural, sand and gravel.**CONTROL** concrete control at downstream end of bridge.**LENGTH OF RECORD** October 26, 1956 to date.

RUNOFF - STREAM GAGING STATION INFORMATION

MONTEBELLO STORM DRAIN

outlet to Rio Hondo

STATION NO. F181-R



RECORDER continuous water stage.

METHOD OF MEASUREMENT wading or from footbridge.

DRAINAGE AREA 9.60 square miles.

LOCATION 150.0 feet east of Mines Avenue and 500.0 feet west of Rio Hondo.

REGULATION none.

DIVERSION none.

CHANNEL 14.0 foot by 10.0 foot concrete, box section.

CONTROL channel forms control.

LENGTH OF RECORD January 12, 1932 to date.

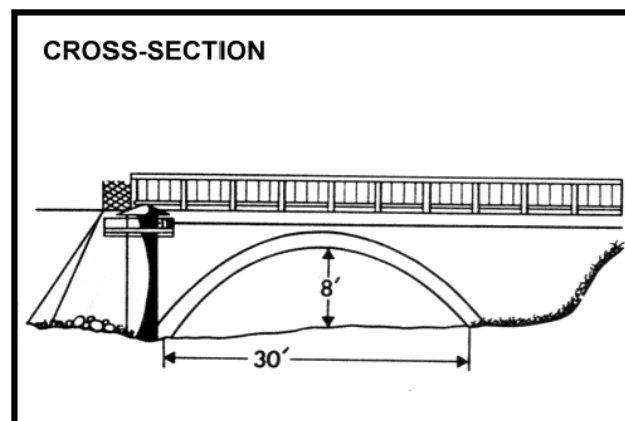
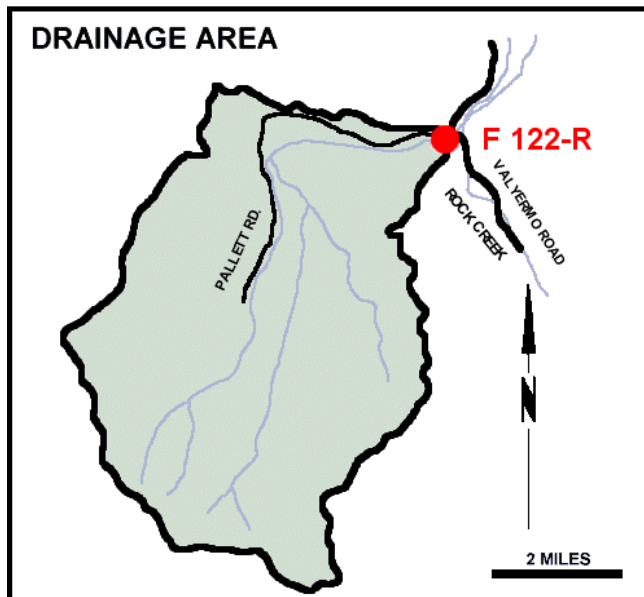
REMARKS may be affected by backwater during flood flows.

RUNOFF - STREAM GAGING STATION INFORMATION

PALLETT CREEK

@ Valyermo Highway

STATION NO. F122-R



RECORDER continuous water stage.

METHOD OF MEASUREMENT wading or from bridge.

DRAINAGE AREA 15.80 square miles.

LOCATION upstream side of Valyermo Highway bridge, 5.0 miles southeast of Pearblossom.

REGULATION none.

DIVERSION none.

CHANNEL sand and gravel, natural section.

CONTROL channel forms control for low flows; bridge form control for high flows.

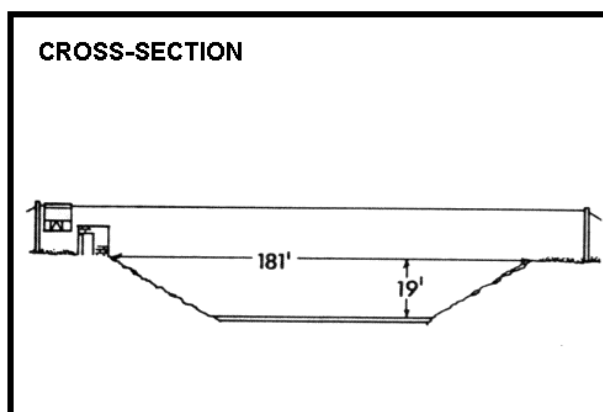
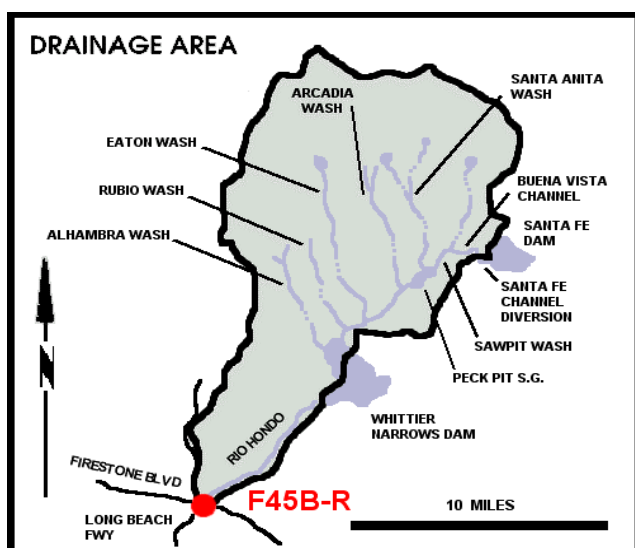
LENGTH OF RECORD at Station F122-S, December 29, 1930 to October 31, 1961; at Station F122-R, October 31, 1961 to date.

RUNOFF - STREAM GAGING STATION INFORMATION

RIO HONDO

above Stuart and Gray Road

STATION NO. F45B-R



RECORDER continuous water stage.

METHOD OF MEASUREMENT wading or from cable car.

DRAINAGE AREA 140 square miles.

LOCATION 0.6 mile upstream of the confluence of Rio Hondo and Los Angeles River, 1.5 miles west of Downey.

REGULATION partially regulated by Sierra Madre, Santa Anita, Sawpit, Eaton, Santa Fe, and Whittier Narrows Dams, several debris basins, and spreading grounds.

DIVERSION none.

CHANNEL concrete with rip-rap side slopes, trapezoidal in section.

CONTROL channel forms control.

LENGTH OF RECORD at Station F45-R, March 1, 1928 to April 18, 1951; at Station F45B-R, October 31, 1951 to date.

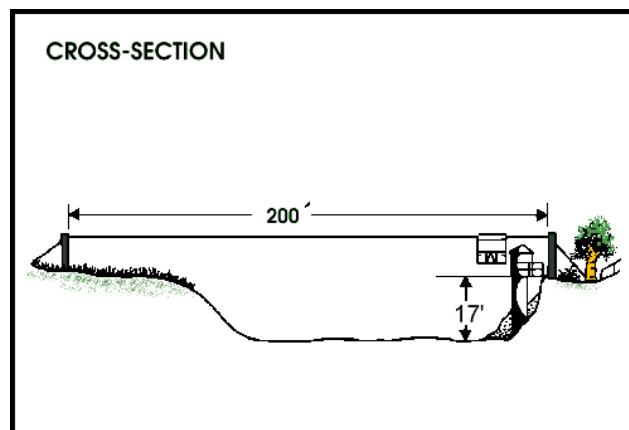
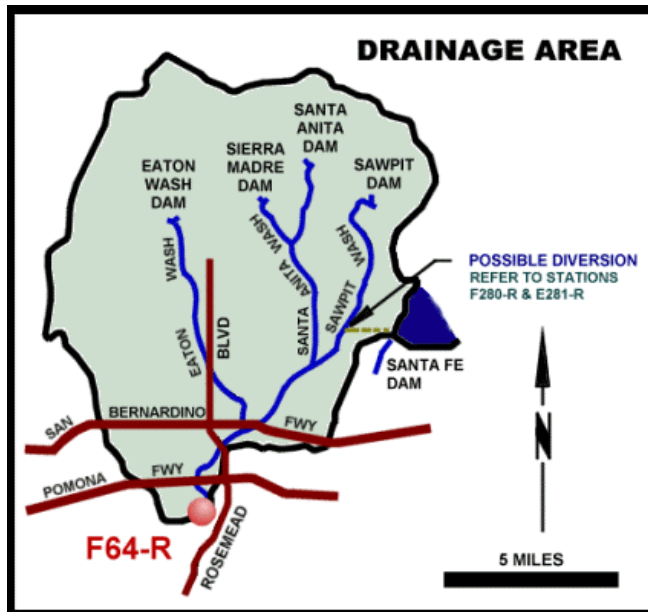
REMARKS subject to diversions from Eaton Creek, Monrovia Creek, Sawpit Creek, Little Santa Anita Canyon, and other locations for irrigation and spreading. High flows from San Gabriel River may flow into Rio Hondo above Whittier Narrows Dam.

RUNOFF - STREAM GAGING STATION INFORMATION

RIO HONDO

above Mission Bridge

STATION NO. F64-R



RECORDER 5 min. interval data logger.

METHOD OF MEASUREMENT wading or from cable car.

DRAINAGE AREA 115 square miles.

LOCATION 1,000 feet above San Gabriel Boulevard, west of Rosemead Boulevard, 2.0 miles northeast of Montebello.

REGULATION partially regulated by Sierra Madre, Santa Anita, Sawpit, Eaton, and Santa Fe Dams and several debris basins.

DIVERSION none.

CHANNEL sand and silt, natural in section.

CONTROL none.

LENGTH OF RECORD July 1, 1928 to date.

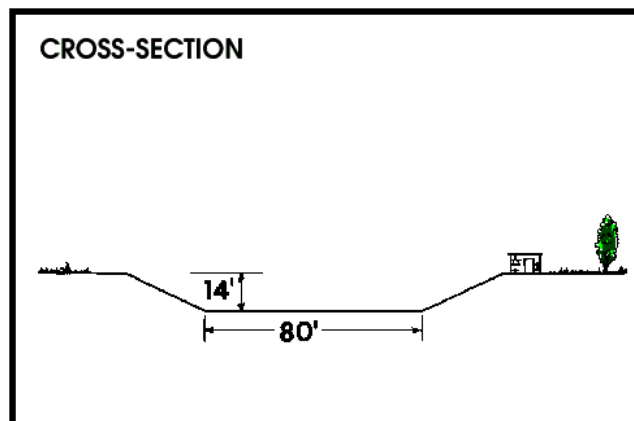
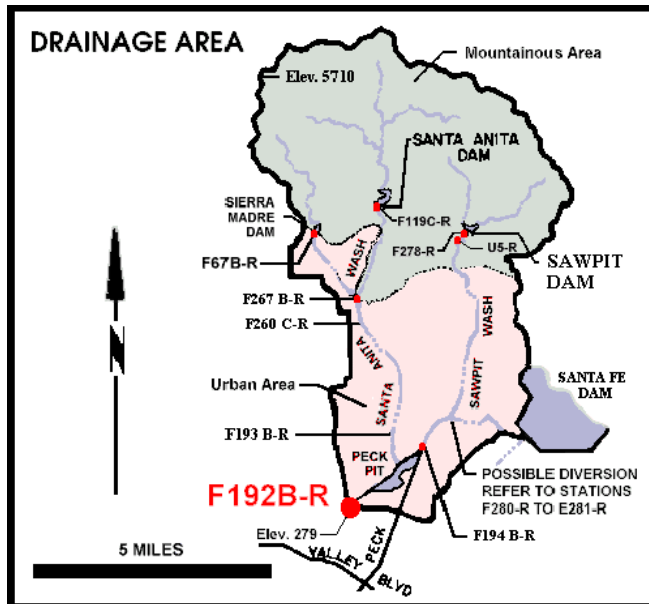
REMARKS subject to diversion; water purchased from the MWD passes this station for spreading in the coastal basin.

RUNOFF - STREAM GAGING STATION INFORMATION

RIO HONDO

below Lower Azusa Avenue

STATION NO. F192B-R



RECORDER 5 min. interval data logger.

METHOD OF MEASUREMENT wading.

DRAINAGE AREA 40.90 square miles.

LOCATION 300 feet downstream from Lower Azusa Road, 1.5 miles north of El Monte.

REGULATION partially regulated by Sierra Madre Dam, Santa Anita Dam, Sawpit Dam, Santa Fe Dam, Peck Pit, Buena Vista Pit, and several debris basins.

DIVERSION none.

CHANNEL concrete, trapezoidal section.

CONTROL channel forms control.

LENGTH OF RECORD at Station F192-R, February 22, 1932 to May 7, 1958; at Station F192B-R, May 7, 1958 to date.

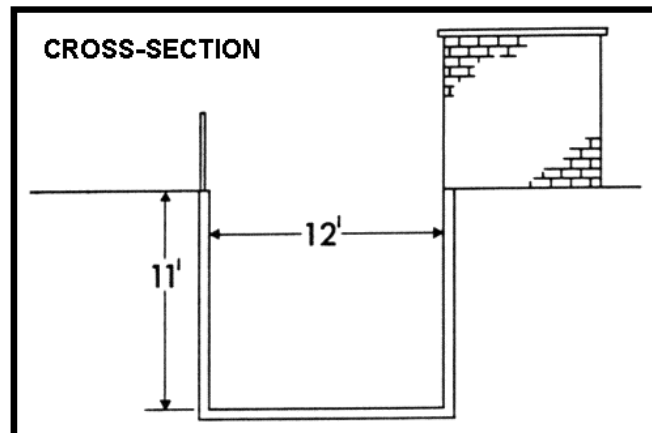
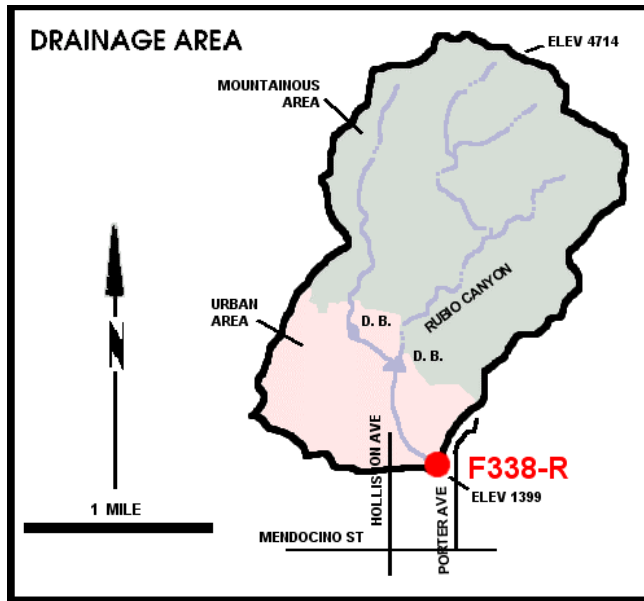
REMARKS subject to diversions from Monrovia, Sawpit, and Little Santa Anita Creeks. Also from the San Gabriel River below Santa Fe Dam; and from irrigation and spreading.

RUNOFF - STREAM GAGING STATION INFORMATION

RUBIO DIVERSION CHANNEL

below Gooseberry Inlet

STATION NO. F338-R



RECORDER 15 min. punch tape.

METHOD OF MEASUREMENT low flows measured by wading. High flows measured from steel footbridge 27 feet above station.

DRAINAGE AREA 2.10 square miles.

LOCATION on the north bank, 375 feet upstream of Crest Drive, 3.5 miles northeast of Pasadena.

REGULATION flow partially regulated by Rubio and Goosebury Debris Basins.

DIVERSION none.

CHANNEL rectangular concrete, 12 feet wide and 11 feet deep.

CONTROL channel forms control.

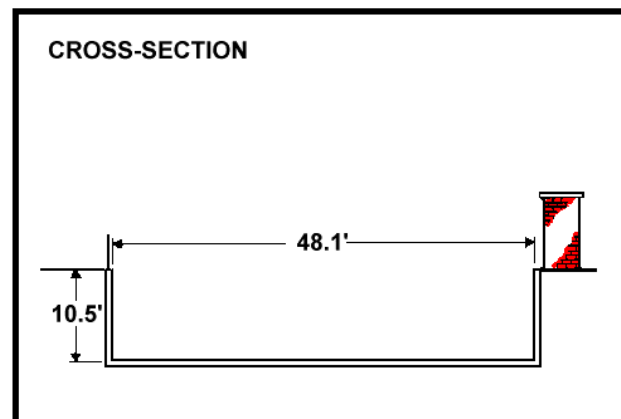
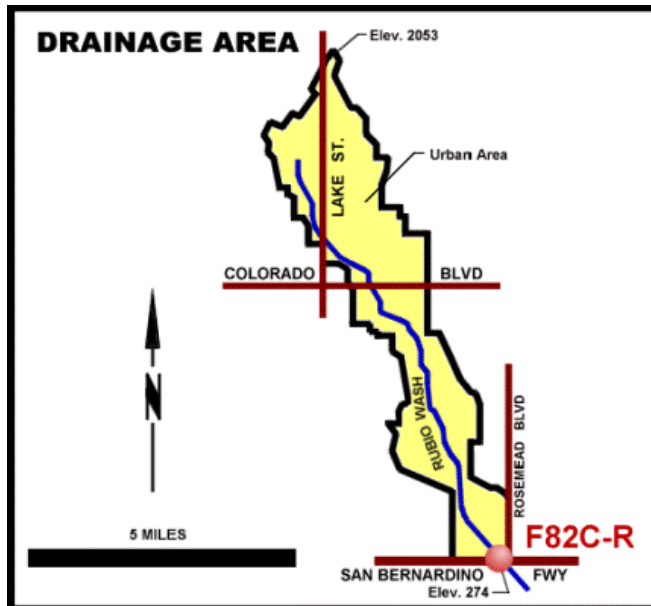
LENGTH OF RECORD December 16, 1959 to date.

RUNOFF - STREAM GAGING STATION INFORMATION

RUBIO WASH

@ Glendon Way

STATION NO. F82C-R



RECORDER 5 min. interval data logger.

METHOD OF MEASUREMENT low flows measured by wading. High flows measured from footbridge at station.

DRAINAGE AREA 10.90 square miles.

LOCATION on the east side of channel, 10 feet south of the westerly extension of Glendon Way, Rosemead.

REGULATION partly regulated by Las Flores and Rubio debris basins.

DIVERSION none.

CHANNEL rectangular concrete.

CONTROL channel forms control.

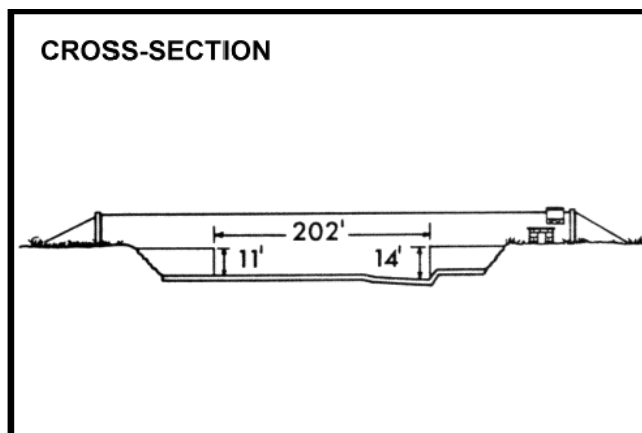
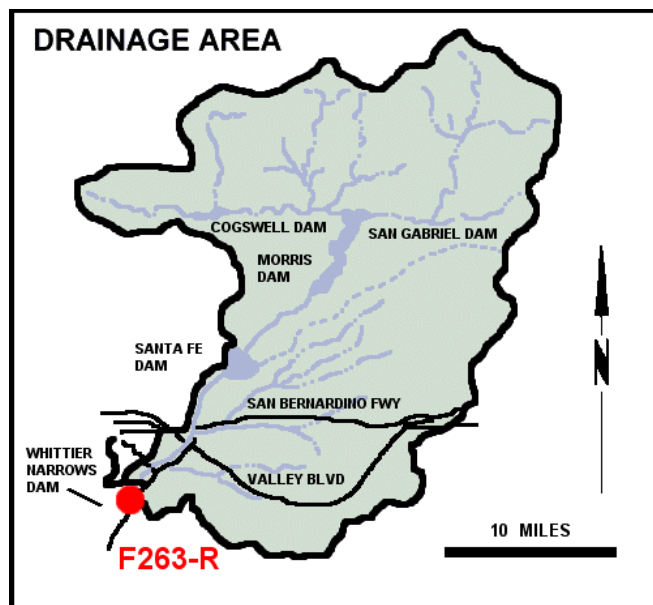
LENGTH OF RECORD see station summary.

RUNOFF - STREAM GAGING STATION INFORMATION

SAN GABRIEL RIVER

below San Gabriel River Parkway

STATION NO. F263C-R



RECORDER continuous water stage.

METHOD OF MEASUREMENT wading or from cable car.

DRAINAGE AREA 206.30 square miles.

LOCATION 462 feet below San Gabriel River Parkway, 1.4 miles northeast of Pico Rivera.

REGULATION partially regulated by Santa Fe, Big Dalton, Puddingstone Diversion, Puddingstone, and Thompson Creek Dams. Flows may include imported water from several Metropolitan Water District outlets. Water is at times diverted to the Zone one ditch, upstream of Whittier Narrows Dam.

DIVERSION none.

CHANNEL rip-rap slopes with sand bottom trapezoidal section.

CONTROL concrete stabilizer.

LENGTH OF RECORD at Station F263-R, February 4, 1937 to March 6, 1952; at Station F263B-R, March 6, 1952 to August 9, 1968; at Station F263C-R, August 9, 1968 to date.

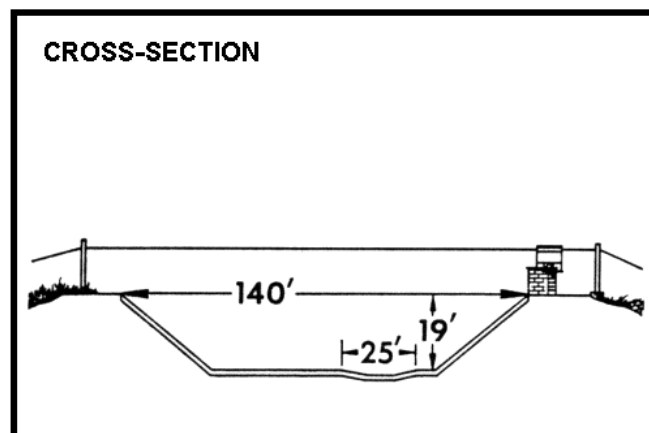
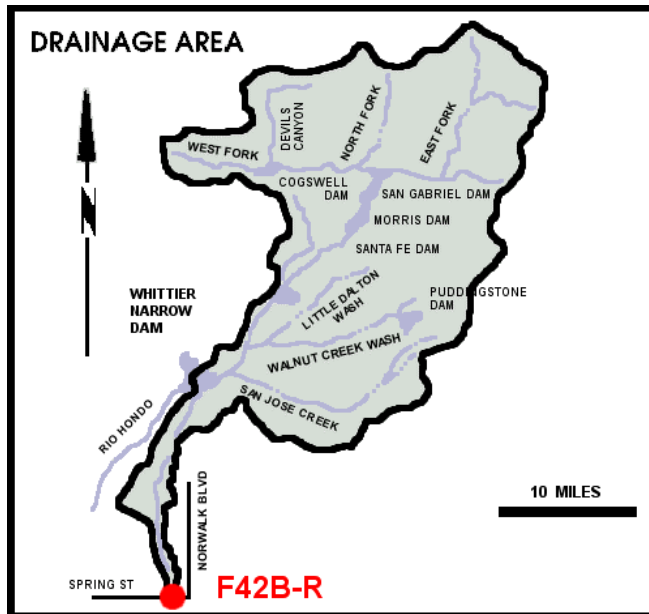
REMARKS

RUNOFF - STREAM GAGING STATION INFORMATION

SAN GABRIEL RIVER

above Spring Street

STATION NO. F42B-R



RECORDER continuous water stage.

METHOD OF MEASUREMENT wading or from cable car.

DRAINAGE AREA 231 square miles.

LOCATION 455 feet north of Spring Street, 4.0 miles east of Signal Hill, Long Beach.

REGULATION partially regulated by Cogswell, San Gabriel, Morris, Santa Fe, Big Dalton, San Dimas, Puddingstone Diversion, Puddingstone, Live Oak, Thompson Creek, and Whittier Narrows Dams, Several debris basins, MWD outlet, and several spreading grounds.

DIVERSION none.

CHANNEL concrete, trapezoidal section with low flow channel.

CONTROL channel forms control.

LENGTH OF RECORD at Station F42-R, February 6, 1928 to May 26, 1964; at Station F42B-R, November 16, 1964 to date.

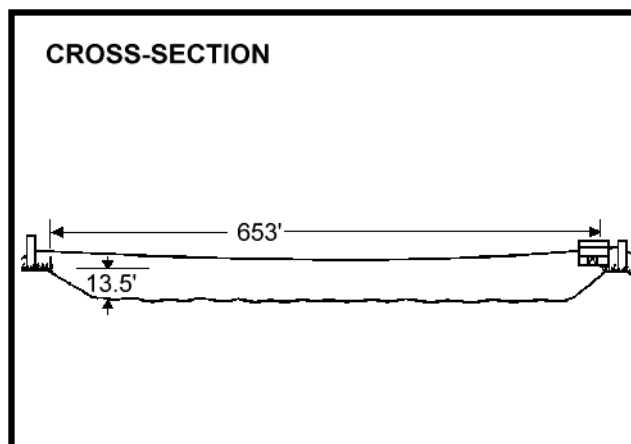
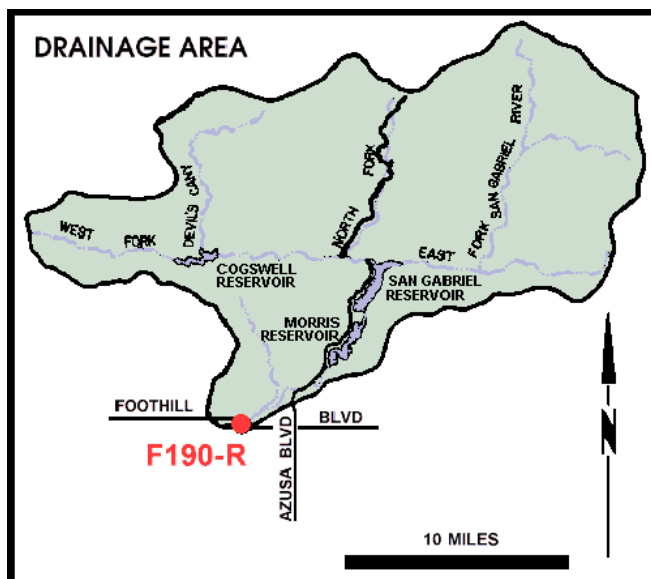
REMARKS high flows into Whittier Narrows Reservoir are partially diverted to the Rio Hondo.

RUNOFF - STREAM GAGING STATION INFORMATION

SAN GABRIEL RIVER

@ Foothill Blvd.

STATION NO. F190-R



RECORDER 5 min. interval data logger.

METHOD OF MEASUREMENT wading or from cable car.

DRAINAGE AREA 230 square miles.

LOCATION downstream side of Foothill Boulevard bridge, 2 miles west of Azusa.

REGULATION partially regulated by Cogswell, San Gabriel, and Morris Dams.

DIVERSION none.

CHANNEL sand, gravel and rock, trapezoidal section with soft bottom.

CONTROL gunited rock stabilizers.

LENGTH OF RECORD February 22, 1932 to date.

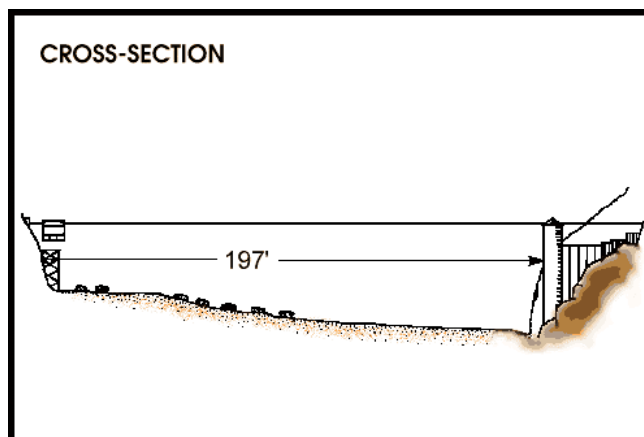
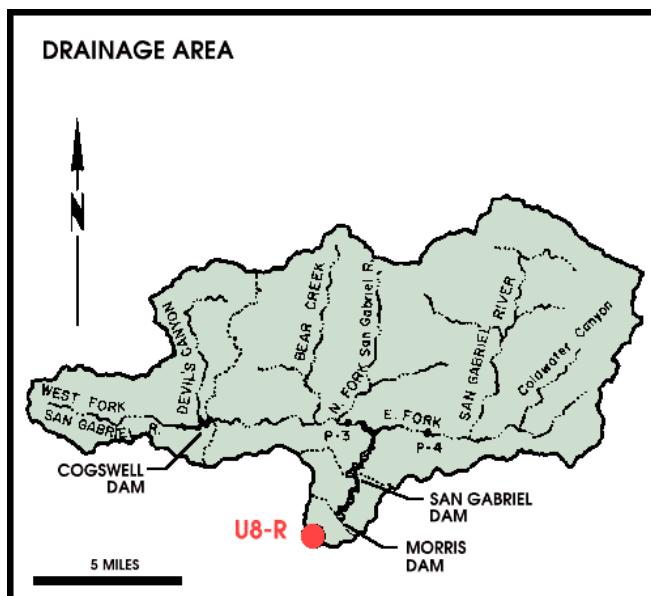
REMARKS flows may include imported originating at the Metropolitan Water District outlet below Morris Dam.

RUNOFF - STREAM GAGING STATION INFORMATION

SAN GABRIEL RIVER

below Morris Dam

STATION NO. U8-R



RECORDER 5 min. interval data logger.

METHOD OF MEASUREMENT wading or from cable car.

DRAINAGE AREA 212.4 square miles.

LOCATION 1.1 miles downstream of Morris Dam, 27 miles northeast of Azusa.

REGULATION all flows regulated by Cogswell Dam, 27 miles northeast of Azusa.

DIVERSION none.

CHANNEL gravel and boulder, natural section.

CONTROL concrete control.

LENGTH OF RECORD May 1894 to date.

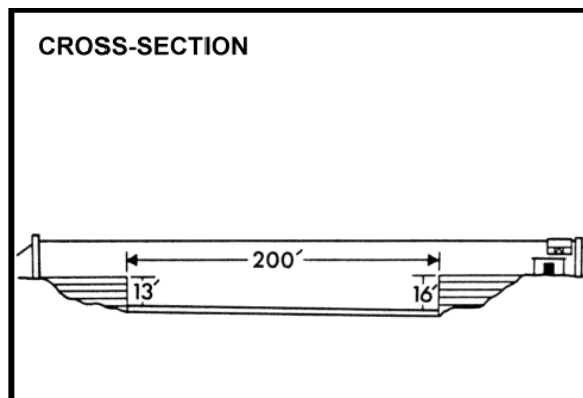
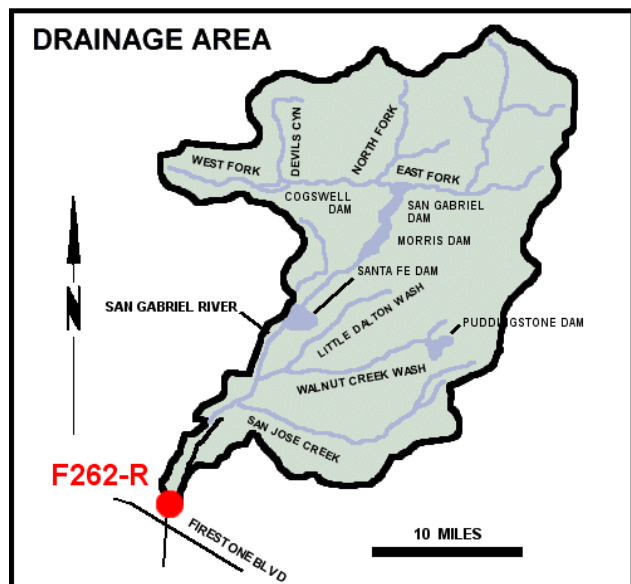
REMARKS flows up to 90 cfs are at times diverted past the station through the Azusa Conduit, flows at station may include imported water from the MWD outlet below Morris Dam.

RUNOFF - STREAM GAGING STATION INFORMATION

SAN GABRIEL RIVER

above Florence Avenue

STATION NO. F262C-R



RECORDER continuous water stage.

METHOD OF MEASUREMENT wading or from cable car.

DRAINAGE AREA 215.80 square miles.

LOCATION 1,400 feet above Florence Avenue, 2 miles east of Downey.

REGULATION partially regulated by Cogswell, San Gabriel, Morris, Santa Fe, Big Dalton, San Dimas, Puddingstone Diversion, Puddingstone, Live Oak, Thompson Creek, and Whittier Narrows Dams, Several debris basin, MWD outlets, and several spreading grounds.

DIVERSION none.

CHANNEL sand bottom with rip-rap slopes, trapezoidal section.

CONTROL concrete stabilizer.

LENGTH OF RECORD at Station F267-R, February 27, 1937 to September 30, 1967; at Station F262B-R, August 6, 1968 to date.

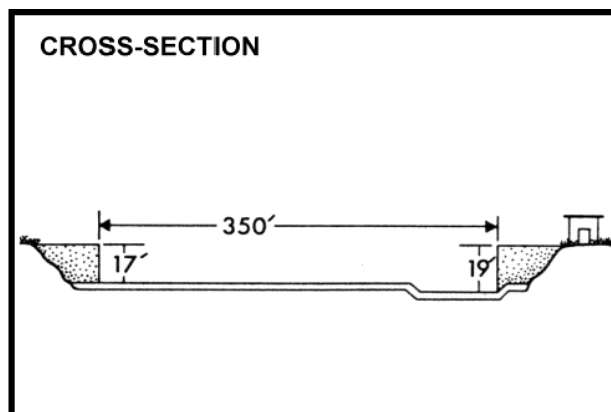
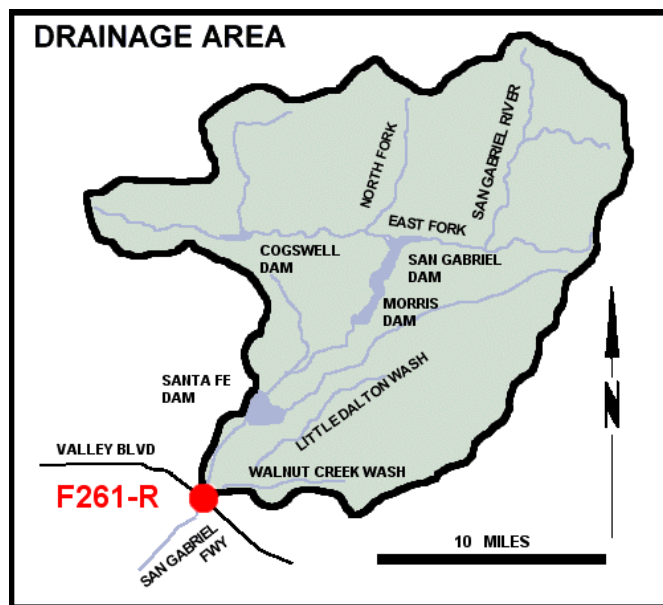
REMARKS no recording during 1967-1968 season due to channel construction.

RUNOFF - STREAM GAGING STATION INFORMATION

SAN GABRIEL RIVER

below Valley Blvd.

STATION NO. F261C-R



RECORDER continuous water stage.

METHOD OF MEASUREMENT wading.

DRAINAGE AREA 118.00 square miles.

LOCATION 1,150.0 feet below Valley Boulevard, 2.5 miles east of El Monte.

REGULATION partially regulated by Santa Fe, Big Dalton, Puddingstone Diversion, and Puddingstone Dams.

DIVERSION none.

CHANNEL sand and gravel bottom with rip-rap side slopes; trapezoidal section.

CONTROL concrete stabilizer with low-flow notch.

LENGTH OF RECORD at Station F261-R, March 11, 1937 to September 30, 1941; at Station F361B-R, October 1, 1941 to April 23, 1946; at Station F261C-R, November 29, 1960 to date.

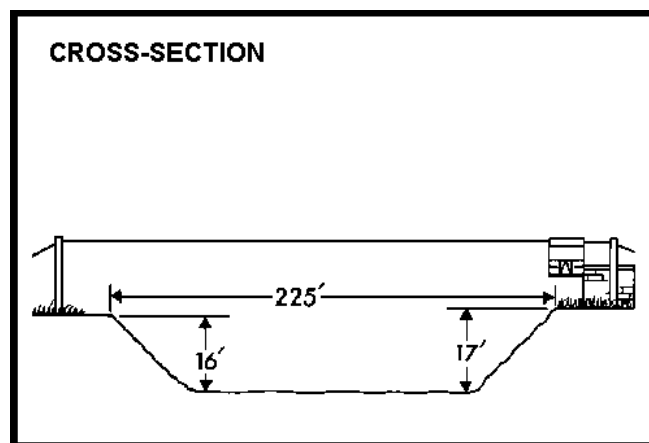
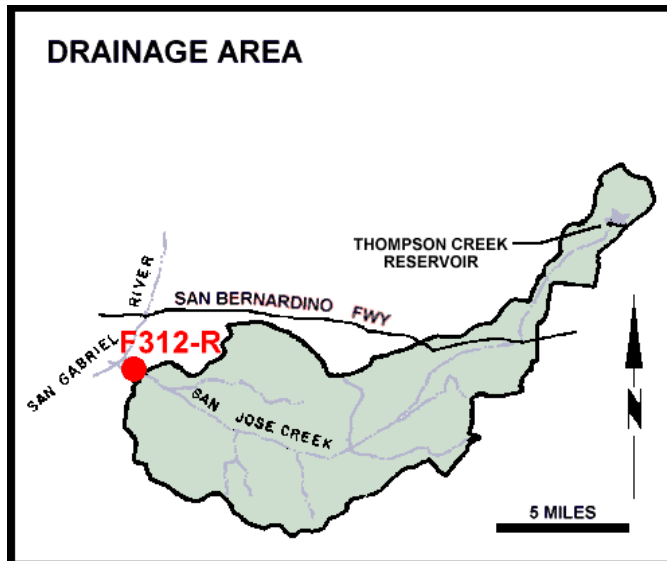
REMARKS flows may include imported water originating at Metropolitan Water District outlets at San Dimas Canyon and below San Bernardino Road.

RUNOFF - STREAM GAGING STATION INFORMATION

SAN JOSE CHANNEL

below Seventh Avenue

STATION NO. F312B-R



RECORDER 5 min. interval data logger.

METHOD OF MEASUREMENT wading or from cable car.

DRAINAGE AREA 83.4 square miles.

LOCATION 1,650 feet above Workman Mill Road, 3 miles southeast of El Monte.

REGULATION partially regulated by Thompson Creek Dam and Pomona Sewage Treatment Plant.

DIVERSION none.

CHANNEL grouted rip-rap side slopes with natural bottom, trapezoidal section.

CONTROL rock stabilizer.

LENGTH OF RECORD September 13, 1955 to date.

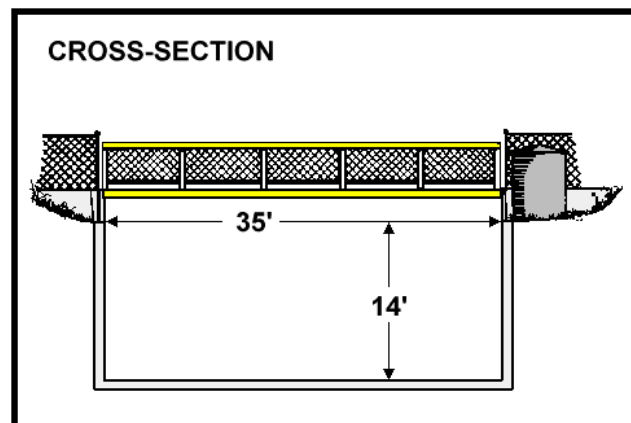
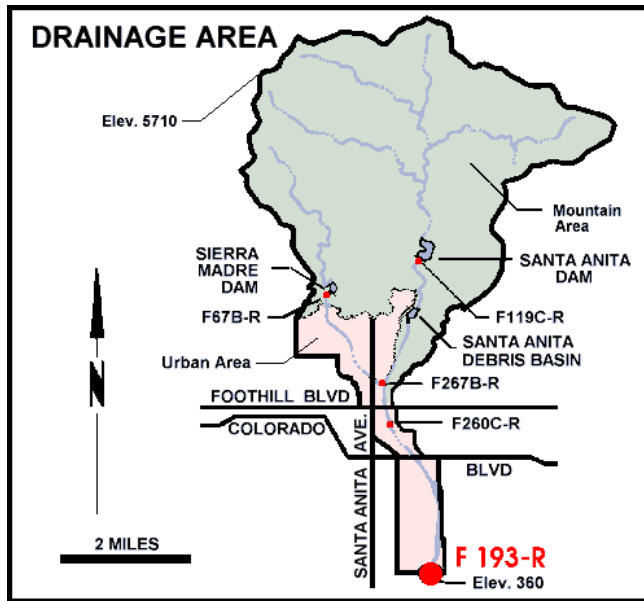
REMARKS

RUNOFF - STREAM GAGING STATION INFORMATION

SANTA ANITA WASH

@ Longden Avenue

STATION NO. F193B-R



RECORDER 5 min. interval data logger.

METHOD OF MEASUREMENT wading or from bridge.

DRAINAGE AREA 18.80 square miles.

LOCATION 30.0 feet above Longden Avenue, 1.5 miles south of Arcadia.

REGULATION regulated by Santa Anita and Sierra Madre Dams, and Santa Anita Debris Basin.

DIVERSION none.

CHANNEL concrete, rectangular section.

CONTROL channel forms control.

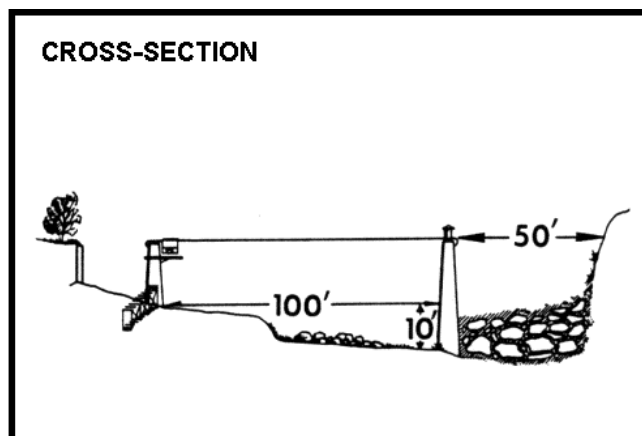
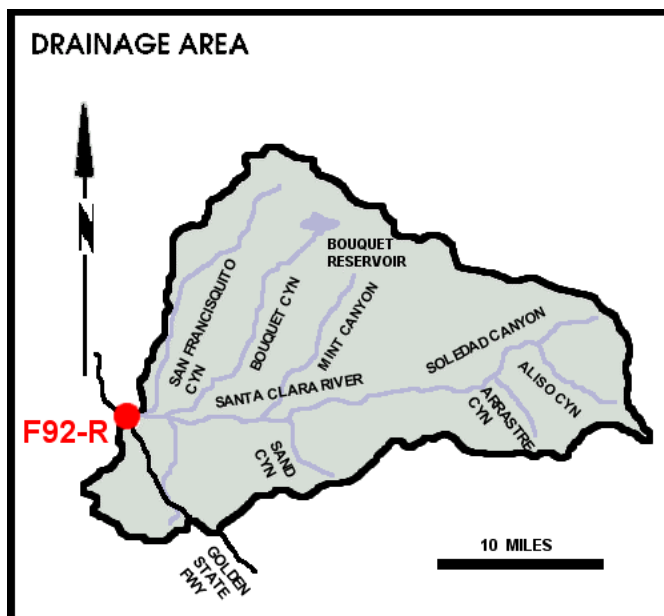
LENGTH OF RECORD at Station F193-R, April 25, 1932 to March 1, 1938; at Station F193B-R, January 5, 1960 to date.

RUNOFF - STREAM GAGING STATION INFORMATION

SANTA CLARA RIVER

@ Old Road Bridge

STATION NO. F92C-R



RECORDER continuous water stage.

METHOD OF MEASUREMENT wading or from cable car.

DRAINAGE AREA 410.40 square miles.

LOCATION downstream side of Old Highway bridge, 3 miles west of Saugus.

REGULATION partially regulated by Bouquet Canyon and Dry Canyon Reservoirs.

DIVERSION none.

CHANNEL sand and gravel with brush, natural section.

CONTROL none.

LENGTH OF RECORD at Station F92-R, January 18, 1930 to March 28, 1938, and September 24, 1956 to date; at Station F92B-R, October 1, 1938 to September 24, 1956.

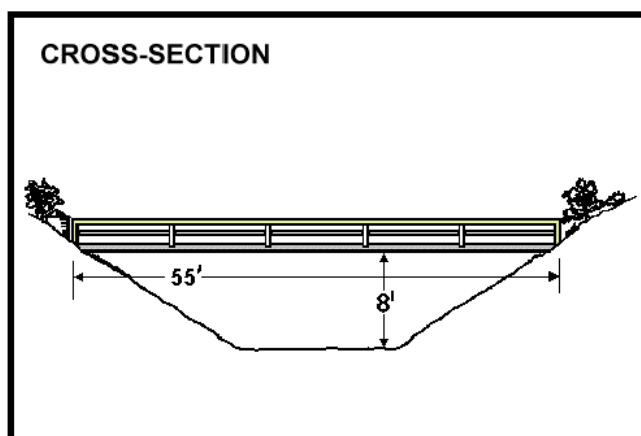
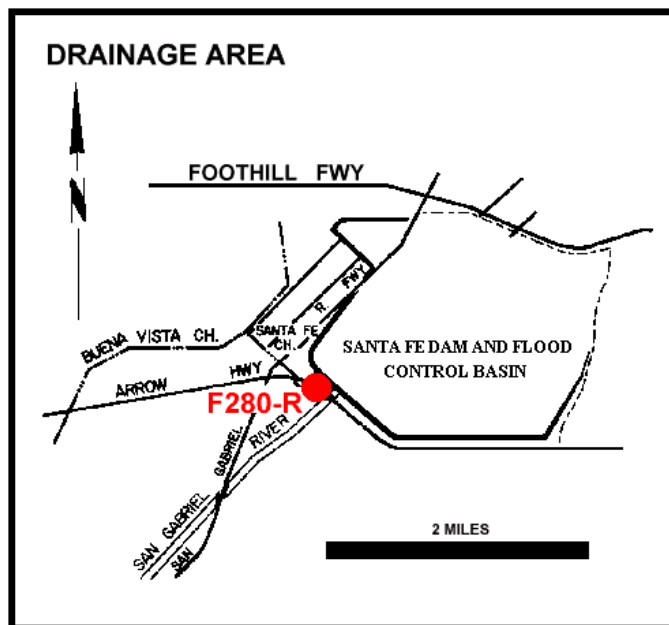
REMARKS subject to diversions for irrigation.

RUNOFF - STREAM GAGING STATION INFORMATION

SANTA FE DIVERSION CHANNEL

below Santa Fe Dam

STATION NO. F280-R



RECORDER 5 min. interval data logger.

METHOD OF MEASUREMENT wading or from footbridge.

DRAINAGE AREA Controlled square miles.

LOCATION 400 feet downstream of Santa Fe Dam outlet and 1.5 miles north of Baldwin Park.

REGULATION flow regulated by five gates of stilling basin outlet of Santa Fe Dam.

DIVERSION none.

CHANNEL sand and gravel, natural section.

CONTROL concrete stabilizer.

LENGTH OF RECORD at Station F280-S, October 1, 1942 to May 12, 1944; at Station F280-R, May 12, 1944 to date.

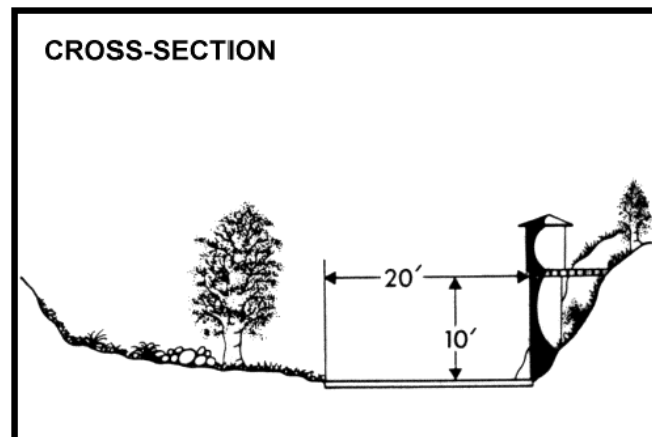
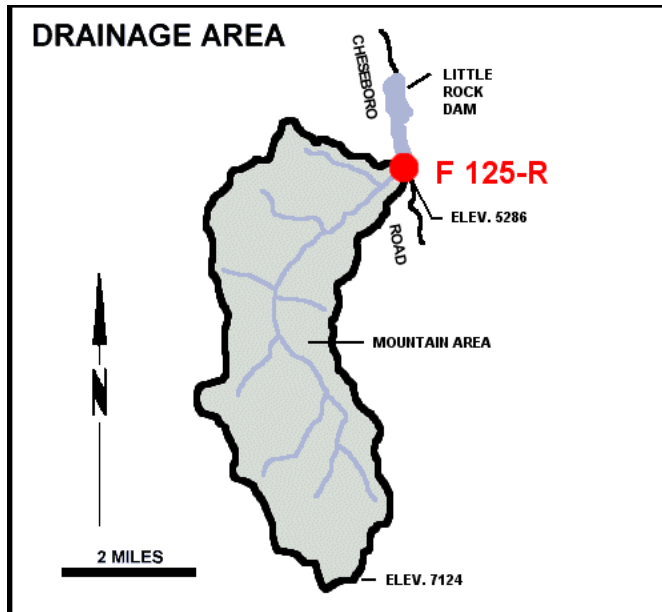
REMARKS

RUNOFF - STREAM GAGING STATION INFORMATION

SANTIAGO CREEK

above Little Rock Creek

STATION NO. F125-R



RECORDER continuous water stage.

METHOD OF MEASUREMENT wading.

DRAINAGE AREA 11.20 square miles.

LOCATION 1,000 feet above Little Creek and 4.5 miles south of Little Rock.

REGULATION none.

DIVERSION none.

CHANNEL sand, gravel and boulders.

CONTROL concrete and rubble wall.

LENGTH OF RECORD September 29, 1953 to date.

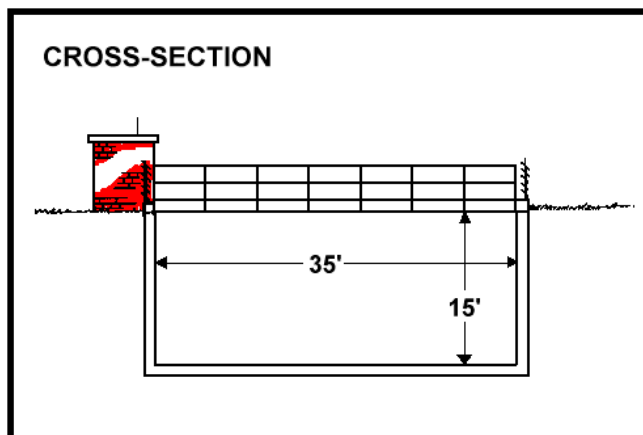
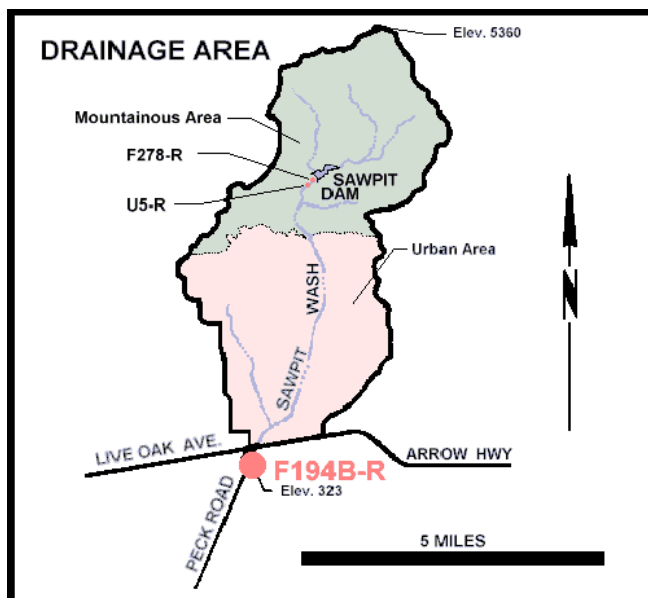
REMARKS no high flow measurements.

RUNOFF - STREAM GAGING STATION INFORMATION

SAWPIT WASH

below Live Oak Avenue

STATION NO. F194B-R



RECORDER 5 min. interval data logger.

METHOD OF MEASUREMENT wading from footbridge.

DRAINAGE AREA 16.10 square miles.

LOCATION 1,500 feet below Arrow Highway, 3.0 miles south of Monrovia.

REGULATION partially regulated by Sawpit and Santa Fe Dams, and several debris basins.

DIVERSION none.

CHANNEL concrete, rectangular section.

CONTROL channel forms control.

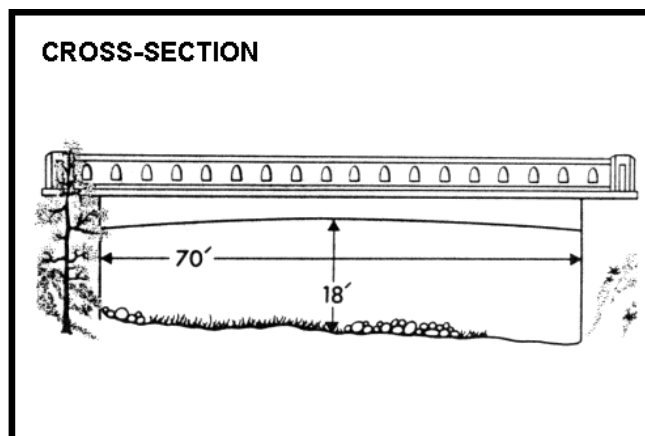
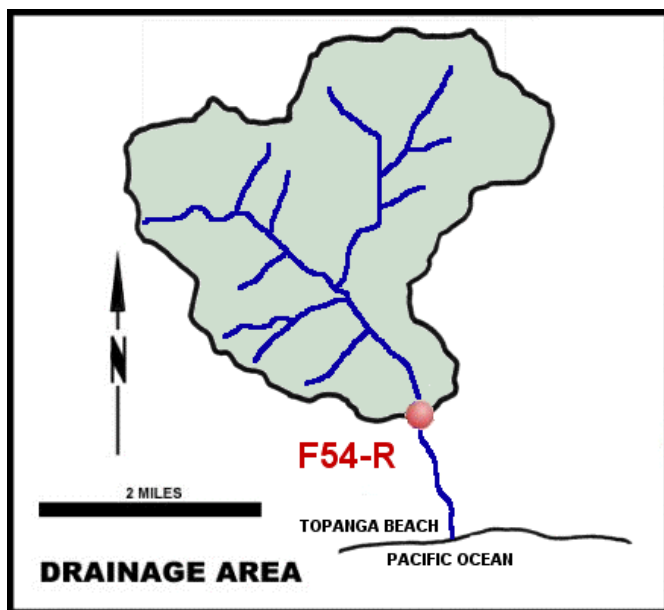
LENGTH OF RECORD at Station F194-R, February 22, 1932 to September 1, 1935; at Station F194B-R, December 5, 1960 to date.

RUNOFF - STREAM GAGING STATION INFORMATION

TOPANGA CREEK

above Mouth of Canyon

STATION NO. F54C-R



RECORDER continuous water stage.

METHOD OF MEASUREMENT wading.

DRAINAGE AREA 18.00 square miles.

LOCATION downstream side to Topanga Canyon Road bridge, 2.0 miles north of Topanga Beach.

REGULATION none.

DIVERSION none.

CHANNEL rock and gravel, natural section.

CONTROL none.

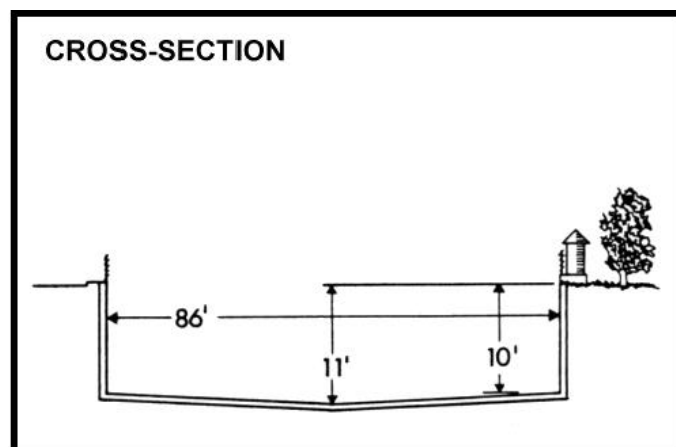
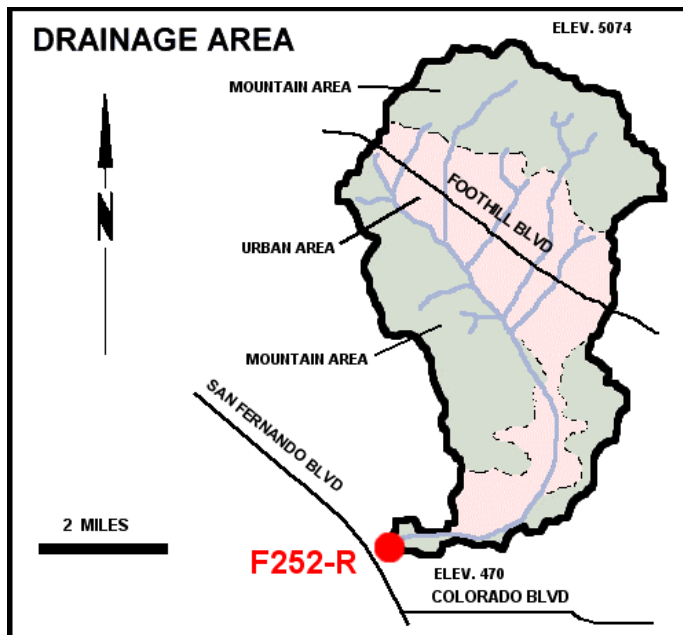
LENGTH OF RECORD at Station F54-R, January 1, 1930 to June 4, 1940; at Station F54B-R, June 5, 1940 to January 31, 1990; at Station 54C-R, October 1, 1997 to date.

RUNOFF - STREAM GAGING STATION INFORMATION

VERDUGO WASH

@ Estelle Avenue

STATION NO. F252-R



RECORDER continuous water stage.

METHOD OF MEASUREMENT wading or from Concord Street bridge.

DRAINAGE AREA 26.80 square miles.

LOCATION 800 feet east of San Fernando Road, 2.0 miles northwest of Glendale.

REGULATION partially regulated by several debris basins.

DIVERSION none.

CHANNEL concrete, rectangular section.

CONTROL channel forms control.

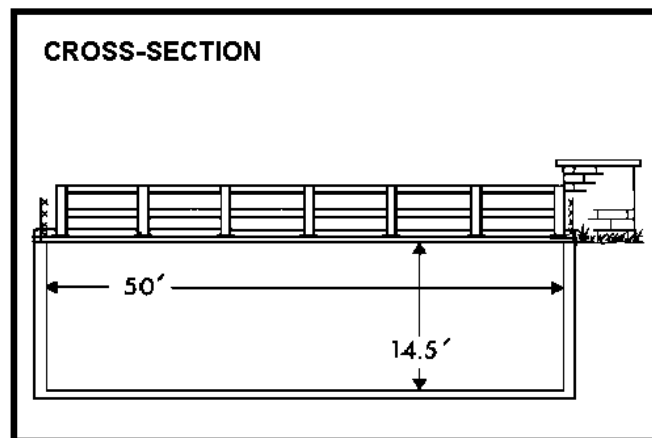
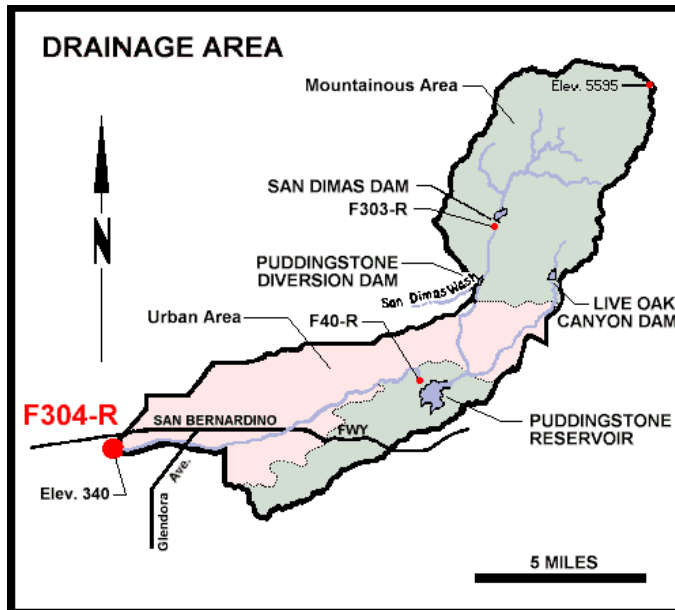
LENGTH OF RECORD December 2, 1935 to date.

RUNOFF - STREAM GAGING STATION INFORMATION

WALNUT CREEK

above Puente Avenue

STATION NO. F304-R



RECORDER 5 min. interval data logger.

METHOD OF MEASUREMENT wading or from footbridge.

DRAINAGE AREA 57.60 square miles.

LOCATION 845.0 feet upstream of Puente Avenue bridge, Baldwin park.

REGULATION partially regulated by San Dimas, Puddingstone Diversion, Puddingstone, and Live Oak Dams.

DIVERSION none.

CHANNEL concrete, rectangular section.

CONTROL channel forms control.

LENGTH OF RECORD October 14, 1952 to April 11, 1961, January 3, 1962 to date.

REMARKS no record during April 11, 1961 to January 3, 1962 due to channel construction.

APPENDIX C

RUNOFF – DAILY DISCHARGE

RUNOFF – DAILY DISCHARGE

WESTERN HYDROLOGIC SYSTEMS - (916) 885-2480

0F81RO F81D-R ALHAMBRA WASH ABOVE KLINGERMAN

DAILY DISCHARGE IN CUBIC FEET PER SECOND WATER YEAR OCT 1996 TO SEP 1997

Day	OCT	NOV	DEC	JAN	FEB	MAR	APR	MAY	JUN	JUL	AUG	SEP
1	.68	1.6	1.2	11	2.6	1.8	3.1	1.8	1.7	1.6	1.9	1.3
2	.90	1.3	1.4	48	2.3	1.8	2.5	1.8	2.0	1.9	1.9	1.5
3	1.0	1.5	1.7	46	2.0	1.9	2.2	1.9	2.0	1.7	1.9	2.0
4	1.2	1.4	1.3	1.2	2.1	2.0	4.8	1.7	2.1	1.8	2.3	1.7
5	.85	1.4	7.9	5.5	2.3	1.9	1.6	1.9	2.0	1.8	2.5	1.8
6	.86	1.5	11	1.5	2.3	2.2	1.6	2.2	1.8	1.8	2.1	1.6
7	1.0	1.4	1.4	.78	2.4	2.5	5.7	2.2	1.9	1.8	2.1	1.6
8	.91	1.6	1.2	.33	2.4	1.9	3.8	2.2	1.7	1.7	2.2	1.6
9	.88	1.5	279	.34	2.0	1.7	2.1	2.0	1.9	1.5	2.0	1.6
10	.81	1.5	151	.34	18	6.6	3.0	1.9	1.9	1.6	1.8	1.3
11	.86	1.7	192	.33	2.7	6.0	2.2	1.8	2.0	1.6	1.8	1.2
12	.88	1.7	22	151	1.9	1.7	2.2	1.9	1.9	1.4	1.9	1.4
13	.82	1.5	1.7	68	1.8	2.0	2.0	2.0	12	1.5	1.5	1.4
14	.84	1.4	1.6	19	2.0	2.1	2.1	2.1	1.5	1.8	1.7	1.2
15	.87	1.5	1.3	196	2.0	2.0	2.0	2.0	1.4	1.7	1.4	4.4
16	.88	1.4	1.3	2.5	2.0	1.9	2.2	2.2	1.5	1.3	1.4	1.3
17	.81	1.3	1.4	1.3	2.6	2.0	2.3	2.6	1.4	1.5	1.3	1.3
18	.74	1.8	1.8	1.2	2.6	2.0	2.5	2.2	1.4	1.5	1.4	1.4
19	.79	1.6	1.3	1.1	2.4	1.9	2.1	2.2	1.5	1.4	1.5	1.5
20	.54	2.2	1.4	21	2.6	1.7	2.1	2.7	1.4	1.3	2.0	1.5
21	.52	264	1.3	27	2.5	1.8	1.9	1.6	1.4	1.4	1.3	1.3
22	.88	64	84	39	2.1	1.5	6.3	1.6	1.3	1.4	1.2	1.4
23	1.5	1.8	1.4	149	2.2	1.4	7.4	1.5	1.7	1.6	1.0	1.6
24	.52	1.3	1.5	2.7	2.2	1.4	2.2	1.4	1.8	1.7	.92	1.6
25	.56	1.4	1.6	173	2.2	1.8	2.0	1.5	1.4	1.6	1.1	92
26	.51	1.4	1.1	141	4.3	1.4	1.7	1.5	1.4	1.5	1.3	1.8
27	.45	1.6	89	6.0	13	1.3	1.8	1.7	1.5	1.5	1.3	1.4
28	.48	1.3	18	2.5	3.8	1.5	1.6	1.5	1.4	1.7	1.3	1.3
29	.92	1.4	1.5	2.3	-----	1.8	1.7	1.5	1.3	1.9	1.3	1.4
30	158	1.4	1.4	3.0	-----	1.3	1.9	1.8	1.3	1.8	1.3	1.5
31	2.0	-----	1.1	2.1	-----	2.1	-----	1.7	-----	1.7	1.3	-----
TOTAL	183.46	370.4	884.8	1,124.02	93.3	64.9	80.6	58.6	59.5	50.0	49.92	137.9
MEAN	5.92	12.3	28.5	36.3	3.33	2.09	2.69	1.89	1.98	1.61	1.61	4.60
MAX	158	264	279	196	18	6.6	7.4	2.7	12	1.9	2.5	92
MIN	.45	1.3	1.1	.33	1.8	1.3	1.6	1.4	1.3	1.3	.92	1.2
AC-FT	364	735	1,760	2,230	185	129	160	116	118	99	99	274
CAL YEAR 1996 TOTAL*	1,438.66		MEAN	15.6	MAX	279	MIN	.45	AC-FT	2,850		
WTR YEAR 1997 TOTAL	3,157.40		MEAN	8.65	MAX	279	MIN	.33	AC-FT	6,260		

* Incomplete Record Steven AxSys. Data 96-97
As Of 10-09-97 by Soo Khoo

RUNOFF – DAILY DISCHARGE

WESTERN HYDROLOGIC SYSTEMS - (916) 885-2480

F317RO F317-R ARCADIA WASH @ GRAND AVE.

DAILY DISCHARGE IN CUBIC FEET PER SECOND WATER YEAR OCT 1996 TO SEP 1997

Day	OCT	NOV	DEC	JAN	FEB	MAR	APR	MAY	JUN	JUL	AUG	SEP
1	1.1	1.4	.94	13	1.0	.76	1.2	.97	.86	.90	1.1	.98
2	1.1	1.2	.98	48	1.0	.73	1.1	1.2	1.0	.93	1.2	1.0
3	1.1	1.1	1.0	52	.99	.80	1.1	.96	1.1	.91	1.1	.71
4	1.2	1.0	1.2	.73	1.0	.69	.93	.86	1.1	.88	1.1	.72
5	1.9	.95	10	13	1.1	.75	.92	.75	1.2	.88	.71	.83
6	1.2	1.2	14	.59	1.6	.77	.86	.78	.99	.96	.66	.79
7	.94	1.4	4.6	.58	1.5	.83	1.0	.79	.88	1.0	.66	.69
8	.92	1.4	4.3	.47	1.5	.81	1.1	.82	.76	1.0	.68	.76
9	.91	1.4	149	.52	1.3	.84	1.0	.80	.76	1.1	.64	.70
10	.91	1.4	121	.62	14	.98	.94	.85	.80	.99	.62	.74
11	.86	1.4	165	.61	.97	.78	.92	.92	.84	1.2	.63	.72
12	.86	1.4	24	88	.84	.77	.90	.98	1.0	1.3	.63	.77
13	.82	1.4	.93	49	.81	.78	.99	.99	17	1.4	.63	.70
14	.83	1.4	.81	28	.78	1.1	1.3	1.2	.90	1.2	.65	.71
15	.86	1.3	.72	92	.77	.94	1.0	1.2	.90	1.0	.65	12
16	.84	1.1	.76	1.3	.82	.91	.88	1.2	.90	.93	.63	1.0
17	.84	1.1	.70	.78	.82	1.0	.84	1.2	.91	.91	.62	1.0
18	.84	1.1	.67	.64	.92	.91	.88	1.4	.92	.93	.68	.86
19	.87	1.1	.70	.61	.83	.81	.84	1.4	.92	.96	.64	.90
20	1.3	1.1	.72	20	.86	.91	.82	1.2	.90	.85	.72	.99
21	1.3	206	.75	29	.81	.87	.81	1.2	.80	.81	.71	1.0
22	1.2	56	66	49	.85	.80	.85	1.0	.76	.87	.80	.97
23	1.2	1.5	.91	78	1.0	.98	.97	1.2	.82	.97	.86	1.2
24	1.2	1.3	.77	1.2	.83	1.0	.90	1.1	1.1	.93	.85	1.1
25	1.2	1.2	.70	97	.86	.97	.86	1.1	1.0	.88	.89	77
26	1.3	1.1	.72	114	.77	.93	.71	1.1	.98	.82	.81	1.6
27	1.3	1.2	100	2.3	16	.93	.70	1.1	.94	.82	.73	1.3
28	1.4	1.0	36	1.2	.81	.91	.78	.91	.96	.85	.82	1.0
29	1.1	.90	.76	1.3	-----	.88	.82	.93	.79	.93	.79	1.3
30	108	.91	.70	1.2	-----	.86	.86	.88	.87	1.3	.69	1.4
31	1.6	-----	.71	1.1	-----	1.3	-----	.97	-----	1.0	.69	-----
TOTAL	141.00	295.96	710.05	785.75	55.34	27.30	27.78	31.96	43.66	30.41	23.59	115.44
MEAN	4.55	9.87	22.9	25.3	1.98	.88	.93	1.03	1.46	.98	.76	3.85
MAX	108	206	165	114	16	1.3	1.3	1.4	17	1.4	1.2	77
MIN	.82	.90	.67	.47	.77	.69	.70	.75	.76	.81	.62	.69
AC-FT	280	587	1,410	1,560	110	54	55	63	87	60	47	229
CAL YEAR 1996	TOTAL*	1,147.01	MEAN	12.5	MAX	206	MIN	.67	AC-FT	2,280		
WTR YEAR 1997	TOTAL	2,288.24	MEAN	6.27	MAX	206	MIN	.47	AC-FT	4,540		

* Incomplete Record
As of 10/06/97. E.E.

RUNOFF – DAILY DISCHARGE

WESTERN HYDROLOGIC SYSTEMS - (916) 885-2480

F250RO F250-R AZUSA CONDUIT (SANDBOX 20' WEIR).

DAILY DISCHARGE IN CUBIC FEET PER SECOND WATER YEAR OCT 1996 TO SEP 1997

Day	OCT	NOV	DEC	JAN	FEB	MAR	APR	MAY	JUN	JUL	AUG	SEP
1	69	45	46	80	81	55	66	51	47	65	71	68
2	69	45	45	80	81	55	66	51	52	43	72	67
3	69	45	45	80	81	55	66	51	53	42	74	67
4	69	45	45	81	80	55	65	50	64	44	72	69
5	69	45	45	81	79	59	65	49	68	46	70	72
6	69	45	45	81	79	65	65	48	68	45	70	74
7	69	45	45	65	79	64	65	48	68	63	73	76
8	70	45	45	79	79	64	65	48	66	70	74	73
9	69	45	44	80	79	64	65	48	66	70	71	65
10	53	45	44	74	79	64	64	48	64	67	70	66
11	45	44	31	79	80	64	65	47	59	66	69	68
12	45	44	25	80	63	64	64	47	58	66	69	66
13	45	44	25	79	55	64	64	47	57	67	69	65
14	44	44	25	50	55	64	64	46	56	67	69	65
15	44	44	26	51	55	64	62	46	57	66	70	68
16	44	44	26	72	56	64	60	45	61	68	67	68
17	45	44	26	62	56	64	59	45	55	70	68	68
18	45	44	9.0	81	56	58	61	46	43	70	68	66
19	45	44	0	81	57	54	64	46	44	70	66	62
20	45	44	19	80	57	49	64	46	43	75	67	62
21	45	45	30	80	57	63	63	45	45	78	71	61
22	45	46	31	80	57	66	62	45	46	77	70	63
23	45	46	32	81	56	66	62	45	62	74	69	67
24	45	46	39	81	56	66	62	45	74	69	72	65
25	45	46	42	81	56	66	62	46	70	70	71	64
26	45	46	42	82	55	66	63	45	69	72	72	65
27	45	46	42	80	55	66	64	45	68	72	71	64
28	45	46	42	80	55	66	64	46	67	73	70	68
29	45	46	42	81	-----	66	64	46	68	73	69	73
30	45	46	56	81	-----	66	58	46	67	71	68	64
31	45	-----	80	81	-----	66	-----	47	-----	71	68	-----
TOTAL	1,617	1,349	1,139.0	2,384	1,834	1,932	1,903	1,454	1,785	2,040	2,170	2,009
MEAN	52.2	45.0	36.7	76.9	65.5	62.3	63.4	46.9	59.5	65.8	70.0	67.0
MAX	70	46	80	82	81	66	66	51	74	78	74	76
MIN	44	44	0	50	55	49	58	45	43	42	66	61
AC-FT	3,210	2,680	2,260	4,730	3,640	3,830	3,770	2,880	3,540	4,050	4,300	3,980
CAL YEAR 1996 TOTAL*		4,105.0	MEAN	44.6	MAX	80	MIN	0	AC-FT	8,140		
WTR YEAR 1997 TOTAL		21,616.0	MEAN	59.2	MAX	82	MIN	0	AC-FT	42,880		

* Incomplete Record
Data as up 10/02/97
MB

RUNOFF – DAILY DISCHARGE

WESTERN HYDROLOGIC SYSTEMS - (916) 885-2480

0F38RO F38C-R BALLONA CREEK ABOVE SANTELLE

DAILY DISCHARGE IN CUBIC FEET PER SECOND WATER YEAR OCT 1996 TO SEP 1997

Day	OCT	NOV	DEC	JAN	FEB	MAR	APR	MAY	JUN	JUL	AUG	SEP
1	17	12	12	51	24	23	17	18	12	15	15	11
2	17	12	13	272	23	23	20	19	12	15	15	13
3	17	13	13	198	24	24	25	18	12	17	16	12
4	17	12	14	17	25	25	24	19	14	15	20	12
5	18	11	44	22	25	25	25	21	13	15	17	12
6	18	10	39	16	24	18	31	21	13	15	16	12
7	19	10	13	18	24	16	36	15	13	16	14	12
8	28	12	13	17	23	15	33	16	12	13	14	12
9	43	10	1,830	17	23	15	22	15	13	9.9	12	13
10	34	11	486	17	60	17	21	15	13	9.7	13	14
11	22	11	1,000	17	30	16	19	15	13	10	12	13
12	24	12	123	911	25	16	18	14	13	10	11	13
13	17	12	20	490	24	16	16	15	14	9.9	12	13
14	18	12	16	71	24	17	15	15	14	12	12	14
15	19	11	15	1,130	23	17	14	15	15	12	13	14
16	19	11	15	27	23	16	16	15	14	12	13	14
17	19	11	15	21	210	17	14	18	15	12	14	13
18	20	15	14	20	25	15	13	14	15	12	14	13
19	23	19	13	19	22	16	13	16	15	11	13	14
20	17	13	14	60	22	17	14	15	15	12	12	12
21	16	1,430	16	305	23	18	14	14	16	12	11	11
22	16	389	631	159	22	18	16	16	16	12	11	11
23	17	16	17	1,170	22	19	16	13	16	13	11	12
24	13	14	16	25	23	17	15	12	15	13	11	12
25	13	14	16	770	23	16	15	12	16	12	12	209
26	12	13	15	647	25	15	17	12	16	13	11	12
27	12	12	659	53	24	15	17	11	16	13	12	12
28	14	11	53	31	23	16	18	11	17	14	10	11
29	15	11	16	27	-----	15	18	11	19	13	11	12
30	1,160	11	16	25	-----	16	19	12	18	14	11	11
31	15	-----	16	23	-----	16	-----	12	-----	15	12	-----
TOTAL	1,729	2,161	5,193	6,646	888	545	571	465	435	397.5	401	569
MEAN	55.8	72.0	168	214	31.7	17.6	19.0	15.0	14.5	12.8	12.9	19.0
MAX	1,160	1,430	1,830	1,170	210	25	36	21	19	17	20	209
MIN	12	10	12	16	22	15	13	11	12	9.7	10	11
AC-FT	3,430	4,290	10,300	13,180	1,760	1,080	1,130	922	863	788	795	1,130
CAL YEAR 1996	TOTAL*	9,083.0	MEAN	98.7	MAX	1,830	MIN	10	AC-FT	18,020		
WTR YEAR 1997	TOTAL	20,000.5	MEAN	54.8	MAX	1,830	MIN	9.7	AC-FT	39,670		

* Incomplete Record
As of 10/02/97.RV
MB

RUNOFF – DAILY DISCHARGE

WESTERN HYDROLOGIC SYSTEMS - (916) 885-2480

F377RO F377-R BOUQUET CANYON CREEK AT URBANDALE

DAILY DISCHARGE IN CUBIC FEET PER SECOND WATER YEAR OCT 1996 TO SEP 1997

Day	OCT	NOV	DEC	JAN	FEB	MAR	APR	MAY	JUN	JUL	AUG	SEP
1	.16	0	0	0	.31	.04	.08	.10	.24	.35	.17	.10
2	.03	0	.03	2.7	.21	.03	.18	.33	.38	.38	.17	.74
3	.16	.08	0	1.8	.23	.04	.01	.35	.02	.34	.07	0
4	.06	.12	0	.61	.19	.02	.29	.69	.29	.42	.05	0
5	0	.12	0	1.2	.12	.02	.18	.39	.05	.25	.05	0
6	0	.12	0	.22	.14	.04	.09	.23	.06	.23	0	0
7	0	.12	0	0	.13	.05	.12	.11	.07	.43	.05	0
8	.19	.12	0	.07	.12	.03	.11	.19	.17	.39	.04	.02
9	.09	.12	5.4	.29	.10	.03	.06	.20	.28	.30	.12	.02
10	.09	.12	2.0	.51	1.3	.02	.02	.25	.08	.30	.08	.04
11	.09	.12	1.6	.78	.20	.03	.08	.21	.05	.50	.20	.04
12	.05	.12	1.3	9.6	.17	.03	0	.95	.04	.39	.07	.12
13	.08	.07	.65	11	.09	.03	0	.46	.12	.24	.02	.13
14	.13	0	.29	8.8	.18	.05	.01	.23	.63	.23	.12	.12
15	.16	0	.08	21	.35	.05	0	.18	.18	.23	.01	.03
16	.15	0	.27	5.4	.02	.05	0	.11	.08	.39	.03	.17
17	.12	0	.11	2.7	.81	.06	.05	.09	.06	.08	.04	.21
18	.16	0	.20	1.5	.20	.08	.11	.07	0	.11	.16	.35
19	.12	0	.96	.55	.40	.20	.26	.19	0	.13	.14	.44
20	.11	0	1.3	.53	.10	.20	.38	.06	.04	.10	.12	.43
21	.06	.13	2.1	0	.01	.11	.33	.04	.09	.07	.13	.23
22	.05	.13	18	.14	.22	.17	.32	.02	.20	.09	.12	.30
23	.13	.01	.38	.01	.03	.03	.26	.06	.26	.13	.11	.16
24	.12	0	.04	0	.07	.05	.50	.07	.01	.08	.18	.15
25	.12	0	0	1.8	.15	.02	.58	.01	0	.12	.11	7.9
26	.12	0	0	6.1	.01	0	.84	.01	.13	.06	.22	.25
27	.12	.04	.29	2.9	.03	.08	.69	.05	.09	.08	.44	.08
28	.12	0	0	.51	.02	.03	.53	.02	.13	.12	.17	.01
29	.12	.04	0	.25	-----	.01	.71	.06	.25	.15	.44	.12
30	.12	0	.07	.36	-----	.08	.41	.23	.38	.18	.73	.12
31	.12	-----	.04	.36	-----	.02	-----	.23	-----	.16	.08	-----
TOTAL	3.15	1.58	35.11	81.69	5.91	1.70	7.20	6.19	4.38	7.03	4.44	12.28
MEAN	.10	.053	1.13	2.64	.21	.055	.24	.20	.15	.23	.14	.41
MAX	.19	.13	18	21	1.3	.20	.84	.95	.63	.50	.73	7.9
MIN	0	0	0	0	.01	0	0	.01	0	.06	0	0
AC-FT	6.2	3.1	70	162	12	3.4	14	12	8.7	14	8.8	24
CAL YEAR 1996	TOTAL*	39.84	MEAN	.43	MAX	18	MIN	0	AC-FT	79		
WTR YEAR 1997	TOTAL	170.66	MEAN	.47	MAX	21	MIN	0	AC-FT	339		

* Incomplete Record
As of 10/02/97.RV

RUNOFF – DAILY DISCHARGE

WESTERN HYDROLOGIC SYSTEMS - (916) 885-2480

F329RO F329-R BRADBURY CHANNEL @ CENTRAL

DAILY DISCHARGE IN CUBIC FEET PER SECOND WATER YEAR OCT 1996 TO SEP 1997

Day	OCT	NOV	DEC	JAN	FEB	MAR	APR	MAY	JUN	JUL	AUG	SEP
1	.17	.58	.59	1.4	1.0	1.6	.34	.07	.03	.07	.03	.10
2	.15	.42	.54	7.3	1.0	1.5	.08	.04	.04	.07	.03	.09
3	.14	.67	.53	5.3	.69	1.2	.12	.03	.05	.07	.03	.09
4	.25	.44	.62	1.0	.30	.89	.07	.03	.03	.04	.03	.14
5	.12	.43	.93	3.6	.35	1.0	.07	.03	.16	.03	.03	.13
6	.46	.38	1.2	.74	.30	1.1	.07	.03	.03	.03	.03	.09
7	.77	.34	.59	.32	.38	1.0	.08	.03	.03	.03	.03	.06
8	.67	.30	.82	.18	.47	1.1	.06	.03	.03	.03	.03	.03
9	.71	.31	19	.24	.59	1.5	.07	.03	.03	.03	.03	.03
10	.70	.47	7.1	1.0	1.5	1.4	.06	.03	.03	.03	.03	.03
11	.76	.61	16	.97	.53	.65	.08	.03	.03	.03	.03	.03
12	.62	.65	1.6	13	.49	.28	.07	.03	.08	.03	.03	.03
13	.78	.68	1.0	7.1	.59	.64	.07	.03	.04	.03	.09	.03
14	.77	.75	.84	1.7	.62	.64	.08	.03	.03	.03	.07	.08
15	.93	.92	.30	13	.59	.69	.07	.03	.03	.03	.04	2.0
16	.68	.77	.65	1.1	.59	.79	.05	.03	.03	.03	.03	.05
17	.87	.93	1.0	.74	.59	1.5	.05	.03	.04	.03	.09	.06
18	.81	1.0	.76	1.0	.59	1.1	.19	.03	.03	.03	.10	.07
19	.85	1.0	.17	1.0	.92	1.1	.05	.03	.03	.03	.08	.09
20	.11	1.0	.21	2.2	1.0	1.5	.06	.03	.06	.03	.03	.06
21	.11	28	.81	2.1	1.0	2.3	.07	.03	.03	.03	.08	.07
22	.08	6.2	9.1	3.6	1.1	2.3	.08	.03	.03	.03	.08	.07
23	.11	.42	.37	8.1	1.1	2.3	.09	.03	.03	.03	.08	.06
24	.13	.30	.42	1.3	1.1	2.4	.06	.03	.03	.03	.95	.04
25	.09	.35	.59	13	1.1	1.5	.07	.03	.03	.03	.31	6.4
26	.06	.45	.92	21	1.5	2.1	.06	.03	.03	.03	.39	.04
27	.11	.64	3.6	2.4	3.2	2.2	.07	.03	.03	.03	.09	.05
28	.31	.40	2.2	1.5	1.6	1.9	.07	.03	.03	.03	.05	.04
29	.83	.51	1.0	1.1	-----	1.9	.11	.03	.04	.03	.03	.03
30	11	.67	1.0	1.0	-----	1.8	.07	.03	.09	.03	.03	.03
31	.33	-----	1.0	1.0	-----	1.7	-----	.03	-----	.03	.06	-----
TOTAL	24.48	50.59	75.46	118.99	24.79	43.58	2.54	0.98	1.23	1.06	3.04	10.12
MEAN	.79	1.69	2.43	3.84	.89	1.41	.085	.032	.041	.034	.098	.34
MAX	11	28	19	21	3.2	2.4	.34	.07	.16	.07	.95	6.4
MIN	.06	.30	.17	.18	.30	.28	.05	.03	.03	.03	.03	.03
AC-FT	49	100	150	236	49	86	5.0	1.9	2.4	2.1	6.0	20
CAL YEAR 1996	TOTAL*	150.53	MEAN	1.64	MAX	28	MIN	.06	AC-FT	299		
WTR YEAR 1997	TOTAL	356.86	MEAN	.98	MAX	28	MIN	.03	AC-FT	708		

* Incomplete Record
As of 10/06/97. E.E.

RUNOFF – DAILY DISCHARGE

WESTERN HYDROLOGIC SYSTEMS - (916) 885-2480

F342RO F342-R BRANFORD STREET CHANNEL

DAILY DISCHARGE IN CUBIC FEET PER SECOND WATER YEAR OCT 1996 TO SEP 1997

Day	OCT	NOV	DEC	JAN	FEB	MAR	APR	MAY	JUN	JUL	AUG	SEP
1	.10	.11	.05	1.1	.09	.12	.11	.16	.19	.15	.23	.20
2	.10	.11	.05	16	.09	.12	.10	.15	.17	.18	.18	.27
3	.10	.10	.05	3.5	.09	.12	.14	.16	.21	.20	.19	.21
4	.10	.10	.05	.68	.08	.12	.14	.16	.21	.17	.22	.25
5	.10	.10	.74	.94	.07	.14	.15	.22	.24	.18	.24	.24
6	.10	.10	1.7	.26	.09	.14	.15	.19	.23	.21	.24	.23
7	.10	.10	.24	.15	.12	.15	.17	.18	.19	.19	.25	.21
8	.10	.10	.22	.15	.13	.14	.17	.20	.18	.23	.22	.22
9	.10	.10	37	.15	.13	.14	.17	.20	.19	.20	.17	.21
10	.10	.10	36	.15	5.8	.14	.18	.20	.21	.19	.19	1.3
11	.10	.10	17	.15	.24	.14	.18	.21	.20	.20	.19	.22
12	.10	.10	5.3	24	.15	.16	.15	.22	.18	.18	.17	.24
13	.10	.10	.32	7.1	.08	.18	.18	.23	.15	.20	.22	.26
14	.10	.10	.30	.15	.10	.21	.16	.19	.17	.23	.22	.19
15	.10	.11	.30	20	.13	.20	.18	.19	.14	.21	.19	.20
16	.10	.10	.30	.81	.13	.21	.17	.20	.16	.17	.23	.20
17	.10	.10	.30	.68	8.8	.18	.18	.19	.18	.21	.23	.21
18	.10	.10	.30	.64	.21	.21	.19	.20	.17	.22	.19	.25
19	.10	.10	.30	.64	.12	.20	.18	.19	.18	.22	.18	.21
20	.10	.10	.30	7.1	.09	.19	.16	.19	.18	.19	.19	.19
21	.10	53	.30	6.5	.15	.18	.13	.21	.17	.20	.22	.19
22	.10	2.2	56	9.7	.17	.18	.11	.18	.15	.42	.18	.19
23	.10	.11	.30	13	.12	.19	.11	.20	.15	.21	.19	.21
24	.10	.10	.05	1.2	.07	.21	.13	.20	.17	.20	.21	.21
25	.10	.10	.05	19	.09	.18	.14	.17	.17	.18	.19	14
26	.10	.07	.42	18	.11	.18	.17	.15	.20	.17	.20	.26
27	.10	.05	4.0	1.2	.12	.17	.15	.16	.18	.20	.14	.22
28	.10	.05	.06	1.0	.12	.18	.18	.17	.17	.16	.18	.18
29	.10	.05	.05	.90	-----	.19	.22	.21	.17	.20	.19	.20
30	9.8	.05	.05	.83	-----	.18	.17	.22	.17	.17	.43	.19
31	.22	-----	.05	.82	-----	.18	-----	.20	-----	.18	.25	-----
TOTAL	12.92	57.81	162.15	156.50	17.69	5.23	4.72	5.90	5.43	6.22	6.52	21.36
MEAN	.42	1.93	5.23	5.05	.63	.17	.16	.19	.18	.20	.21	.71
MAX	9.8	53	56	24	8.8	.21	.22	.23	.24	.42	.43	14
MIN	.10	.05	.05	.15	.07	.12	.10	.15	.14	.15	.14	.18
AC-FT	26	115	322	310	35	10	9.4	12	11	12	13	42
CAL YEAR 1996 TOTAL*		232.88	MEAN	2.53	MAX	56	MIN	.05	AC-FT	462		
WTR YEAR 1997 TOTAL		462.45	MEAN	1.27	MAX	56	MIN	.05	AC-FT	917		

* Incomplete Record Record partly estimated, recorder inoperative; Dates: October 1 thru 29.

RUNOFF – DAILY DISCHARGE

WESTERN HYDROLOGIC SYSTEMS - (916) 885-2480

E285RO E285-R BURBANK WESTERN STORM DRAIN

DAILY DISCHARGE IN CUBIC FEET PER SECOND WATER YEAR OCT 1996 TO SEP 1997

Day	OCT	NOV	DEC	JAN	FEB	MAR	APR	MAY	JUN	JUL	AUG	SEP
1	12	15	9.6	13	10	9.9	8.0	8.4	10	8.8	9.7	11
2	11	15	10	44	9.6	9.8	7.7	8.4	10	8.5	8.9	11
3	11	15	10	35	9.4	9.3	7.9	7.9	11	8.5	9.5	10
4	12	13	11	12	10	9.1	7.9	7.9	11	8.2	9.1	9.7
5	11	13	10	15	10	9.2	7.9	7.9	11	8.8	9.5	10
6	9.0	13	12	11	10	9.0	7.4	8.5	11	8.5	11	9.9
7	10	13	12	11	9.7	9.0	7.2	8.4	10	8.7	9.9	10
8	8.8	12	11	11	9.9	8.5	7.6	9.0	11	8.4	9.6	9.1
9	12	12	293	11	9.8	8.7	8.4	9.0	11	8.4	9.9	9.5
10	14	14	142	11	11	9.0	8.4	8.4	10	8.6	11	8.8
11	13	13	81	11	11	8.8	9.1	8.0	10	8.6	9.2	9.2
12	12	15	18	115	9.1	8.1	9.6	7.9	9.7	8.2	10	8.1
13	12	16	11	60	8.4	8.5	9.1	7.9	9.6	8.1	10	8.2
14	12	14	12	18	9.0	9.0	8.3	7.9	9.4	10	11	8.3
15	12	16	12	144	9.0	9.0	8.0	7.9	9.0	9.5	10	7.7
16	11	15	12	43	8.7	8.9	7.9	7.9	8.5	9.1	9.1	8.8
17	12	14	12	23	44	8.3	7.8	7.9	7.9	9.5	9.7	8.9
18	13	13	12	17	11	8.0	7.5	7.4	8.5	9.1	9.1	9.1
19	13	12	12	14	10	8.2	7.6	7.2	8.5	9.4	8.8	8.6
20	10	12	12	74	10	8.7	7.9	7.2	7.9	8.0	9.3	8.9
21	12	174	12	26	8.8	9.2	7.9	6.9	7.9	6.9	9.9	8.9
22	15	24	79	26	8.4	9.4	7.8	6.9	7.6	8.2	8.8	8.5
23	15	12	13	60	10	9.0	7.9	7.1	7.6	8.8	8.5	8.9
24	14	12	13	12	11	9.2	7.7	6.5	8.5	8.7	8.8	8.7
25	14	12	12	72	11	9.0	7.9	6.5	7.9	9.8	9.4	33
26	14	11	13	60	11	8.9	7.3	6.5	7.5	9.9	9.3	10
27	15	11	24	14	11	9.1	7.2	6.5	7.2	10	9.2	10
28	16	11	14	12	11	9.6	7.2	6.5	7.4	9.2	10	10
29	17	11	12	12	-----	8.9	6.8	6.5	7.2	10	12	10
30	106	9.7	9.9	11	-----	9.2	8.3	6.5	6.8	10	13	9.9
31	13	-----	13	10	-----	8.6	-----	6.5	-----	9.7	13	-----
TOTAL	481.8	562.7	929.5	1,008	311.8	277.1	237.2	233.9	270.6	276.1	306.2	302.7
MEAN	15.5	18.8	30.0	32.5	11.1	8.94	7.91	7.55	9.02	8.91	9.88	10.1
MAX	106	174	293	144	44	9.9	9.6	9.0	11	10	13	33
MIN	8.8	9.7	9.6	10	8.4	8.0	6.8	6.5	6.8	6.9	8.5	7.7
AC-FT	956	1,120	1,840	2,000	618	550	470	464	537	548	607	600
CAL YEAR 1996	TOTAL*	1,974.0	MEAN	21.5	MAX	293	MIN	8.8	AC-FT	3,920		
WTR YEAR 1997	TOTAL	5,197.6	MEAN	14.2	MAX	293	MIN	6.5	AC-FT	10,310		

* Incomplete Record 4/1-4/30:N/C @ various times during flow. 5/1-5/31:N/C 6/1-6/30:N/C

RUNOFF – DAILY DISCHARGE

WESTERN HYDROLOGIC SYSTEMS - (916) 885-2480

0F37RO F37B-R COMPTON CREEK NEAR GREENLEAF DRIVE

DAILY DISCHARGE IN CUBIC FEET PER SECOND WATER YEAR OCT 1996 TO SEP 1997

Day	OCT	NOV	DEC	JAN	FEB	MAR	APR	MAY	JUN	JUL	AUG	SEP
1	.86	1.5	2.2	4.6	2.1	.72	.90	1.1	1.1	.90	.90	.90
2	.90	1.3	2.0	20	1.9	.72	.90	1.1	1.1	.90	.90	.90
3	.90	1.0	1.7	68	1.7	.72	.90	1.1	1.1	.90	.90	.90
4	.90	.90	1.5	5.1	1.4	.84	.90	1.1	1.1	.90	.90	.90
5	.90	1.0	1.3	4.4	1.3	.93	.90	1.1	1.1	.90	.90	.90
6	.90	1.0	4.9	3.6	1.1	1.1	.90	1.1	1.1	.90	.90	.90
7	.90	.99	4.7	3.0	.96	.94	.90	1.3	1.1	.90	.90	.90
8	.90	.92	4.0	2.7	1.0	.90	.90	1.3	1.1	.90	.90	.90
9	.90	1.0	402	2.3	.96	.90	.90	1.3	1.1	.90	.91	.90
10	.90	.87	101	2.1	.96	.90	.90	1.3	1.1	.90	.97	.90
11	.90	.83	334	1.9	.90	.93	.90	1.3	1.1	.90	.90	.90
12	.90	.87	11	151	.90	1.0	.90	1.3	1.1	.90	1.0	.90
13	.90	.87	5.5	136	.78	1.1	.90	1.3	1.1	.90	1.1	.90
14	.90	.88	4.7	7.6	.86	1.1	.90	1.3	1.1	.90	1.1	.90
15	.90	.94	3.8	252	.81	1.1	.90	1.3	1.1	.90	1.1	14
16	.90	.91	3.4	4.2	.90	1.1	.90	1.3	1.1	.90	1.1	3.2
17	.90	.92	2.9	3.4	.95	1.1	.90	1.3	1.1	.90	1.1	2.0
18	.90	1.0	2.4	2.8	1.0	.90	.90	1.3	1.1	.90	1.1	1.6
19	.90	.90	2.1	2.3	.90	.90	.90	1.3	1.1	.90	1.1	1.3
20	.90	.90	1.8	3.8	1.0	.90	.90	1.3	1.1	.90	1.1	1.1
21	.90	259	1.6	48	1.1	.90	.90	1.3	1.1	.90	1.1	.91
22	.90	89	41	14	1.1	.90	.94	1.3	1.1	.90	1.1	.90
23	.90	6.2	5.7	284	.97	.90	1.1	1.3	1.1	.90	1.1	.90
24	.90	.85	5.2	5.0	1.1	.90	.96	1.3	1.1	.90	1.1	.90
25	.90	.90	4.7	161	.98	.90	.90	1.3	1.1	.90	1.1	95
26	.89	.94	3.7	143	.90	.90	.91	1.3	1.1	.90	1.1	12
27	.90	.95	214	6.5	.90	.90	1.1	1.3	1.1	.90	1.1	8.2
28	.90	.99	28	3.2	.88	.90	1.1	1.3	1.1	.90	1.1	5.5
29	.90	.98	5.3	2.8	-----	.90	1.1	1.3	1.1	.90	1.1	4.5
30	312	.84	4.7	2.5	-----	.90	1.1	1.3	1.1	.90	1.1	3.7
31	4.5	-----	4.2	2.1	-----	.90	-----	1.3	-----	.90	1.1	-----
TOTAL	342.55	380.15	1,215.0	1,352.9	30.31	28.70	28.11	39.1	33.0	27.90	31.88	168.31
MEAN	11.1	12.7	39.2	43.6	1.08	.93	.94	1.26	1.10	.90	1.03	5.61
MAX	312	259	402	284	2.1	1.1	1.1	1.3	1.1	.90	1.1	95
MIN	.86	.83	1.3	1.9	.78	.72	.90	1.1	1.1	.90	.90	.90
AC-FT	679	754	2,410	2,680	60	57	56	78	65	55	63	334
CAL YEAR 1996 TOTAL*		1,937.70	MEAN	21.1	MAX	402	MIN	.83	AC-FT	3,840		
WTR YEAR 1997 TOTAL		3,677.91	MEAN	10.1	MAX	402	MIN	.72	AC-FT	7,300		

* Incomplete Record

As of 10/09/97.RV.

RUNOFF – DAILY DISCHARGE

WESTERN HYDROLOGIC SYSTEMS - (916) 885-2480

F354RO F354-R COYOTE CREEK BELOW SPRING STREET

DAILY DISCHARGE IN CUBIC FEET PER SECOND WATER YEAR OCT 1996 TO SEP 1997

Day	OCT	NOV	DEC	JAN	FEB	MAR	APR	MAY	JUN	JUL	AUG	SEP
1	21	18	8.9	95	46	43	18	22	14	6.9	9.6	14
2	18	16	13	318	51	51	19	29	15	7.6	7.9	19
3	15	6.1	10	602	54	55	20	26	14	7.5	8.8	19
4	10	3.5	6.2	66	58	57	22	31	12	8.4	8.9	16
5	12	6.0	29	97	54	60	27	42	11	9.1	9.0	18
6	8.6	10	119	57	61	69	27	52	12	9.3	9.1	17
7	7.2	5.9	7.7	46	43	74	38	51	9.4	9.9	8.7	18
8	5.7	4.8	5.7	42	35	70	35	47	13	13	8.9	16
9	5.5	4.1	1,570	36	28	66	35	50	11	12	8.6	17
10	5.3	8.4	231	34	30	69	36	41	11	14	9.1	24
11	5.5	8.8	2,120	28	127	61	34	33	10	15	8.9	26
12	5.3	6.0	257	701	71	59	35	29	9.9	14	9.4	23
13	4.8	8.6	60	858	47	58	32	22	20	12	9.2	26
14	5.3	14	53	131	29	62	36	15	10	15	7.5	31
15	6.1	8.3	49	890	23	64	34	15	9.1	13	8.5	46
16	9.2	5.3	71	111	23	49	29	15	12	13	12	9.1
17	7.0	5.1	62	57	31	51	30	10	15	11	9.6	8.9
18	7.6	6.7	56	46	33	50	33	12	13	12	12	11
19	7.6	8.7	78	31	27	51	29	11	12	11	12	15
20	7.6	8.5	100	60	31	46	29	13	12	11	10	17
21	6.3	1,290	75	85	34	26	30	15	13	10	11	15
22	7.0	419	419	109	33	24	25	21	12	12	11	20
23	9.8	111	113	1,600	33	13	25	20	12	13	11	22
24	9.8	28	86	81	39	10	25	14	13	12	10	19
25	11	21	49	768	45	8.1	25	17	12	11	11	334
26	11	9.2	44	1,450	43	11	18	18	10	12	11	28
27	12	14	960	276	49	13	24	25	11	10	9.7	8.7
28	13	14	591	75	47	13	27	27	11	10	11	8.9
29	17	13	68	55	-----	17	24	29	8.8	12	15	11
30	1,460	9.8	44	52	-----	19	21	27	8.5	14	17	9.1
31	74	-----	36	56	-----	18	-----	16	-----	11	15	-----
TOTAL	1,805.2	2,091.8	7,391.5	8,913	1,225	1,337.1	842	795	356.7	351.7	320.4	866.7
MEAN	58.2	69.7	238	288	43.8	43.1	28.1	25.6	11.9	11.3	10.3	28.9
MAX	1,460	1,290	2,120	1,600	127	74	38	52	20	15	17	334
MIN	4.8	3.5	5.7	28	23	8.1	18	10	8.5	6.9	7.5	8.7
AC-FT	3,580	4,150	14,660	17,680	2,430	2,650	1,670	1,580	708	698	636	1,720
CAL YEAR 1996 TOTAL*		11,288.5	MEAN	123	MAX	2,120	MIN	3.5	AC-FT	22,390		
WTR YEAR 1997 TOTAL		26,296.1	MEAN	72.0	MAX	2,120	MIN	3.5	AC-FT	52,160		

* Incomplete Record
As of 10\16\97.

RUNOFF – DAILY DISCHARGE

WESTERN HYDROLOGIC SYSTEMS - (916) 885-2480

F274RO F274B-R DALTON WASH @ MERCED AVE.

DAILY DISCHARGE IN CUBIC FEET PER SECOND WATER YEAR OCT 1996 TO SEP 1997

Day	OCT	NOV	DEC	JAN	FEB	MAR	APR	MAY	JUN	JUL	AUG	SEP
1	4.5	3.5	1.8	31	.22	2.0	91	.11	190	.24	.24	.30
2	4.4	3.6	2.6	110	.22	1.4	91	.13	67	.95	.22	.25
3	3.3	3.0	2.0	42	.20	1.5	100	.10	.19	.60	.28	.21
4	2.7	5.7	1.6	8.3	.28	1.5	175	.09	.40	.21	.28	.27
5	3.5	5.0	5.7	25	.32	2.0	175	1.9	.39	.25	2.8	.22
6	3.3	9.2	18	4.9	.32	1.9	175	.90	2.3	.23	2.0	.23
7	6.8	11	3.6	3.2	.22	1.0	73	1.1	.14	.22	.43	.25
8	3.3	7.0	1.8	3.0	.22	1.2	.12	87	.12	.17	.23	.27
9	3.9	7.3	257	3.6	.22	1.9	67	190	.12	.16	.20	.27
10	5.2	3.1	52	4.9	22	1.1	160	190	.11	.13	.20	1.9
11	3.2	4.4	101	6.3	6.2	1.5	150	190	75	.19	.86	1.9
12	5.0	2.3	16	180	3.7	1.7	150	111	127	.18	.46	.53
13	6.2	1.3	7.4	103	3.7	1.3	150	.68	190	.17	2.3	.41
14	3.6	1.3	4.5	41	3.8	1.7	150	8.0	190	1.0	.82	.53
15	2.9	1.1	3.8	169	4.0	1.5	62	91	190	.17	.23	22
16	2.7	1.1	3.9	22	3.5	1.1	.63	190	69	2.3	.23	.14
17	2.2	1.0	3.4	9.6	9.5	1.4	88	190	.44	1.5	.23	.14
18	2.5	1.1	2.1	5.3	3.2	.88	150	190	.28	.22	.19	.14
19	3.2	.95	.46	6.9	3.3	1.3	150	91	87	.20	.17	.15
20	2.3	7.1	.80	33	2.3	3.6	150	14	190	.19	.15	.14
21	3.7	370	1.4	50	1.7	1.5	150	16	190	2.3	.16	.13
22	3.7	48	95	36	1.6	1.8	150	59	190	.14	.17	2.7
23	2.7	8.9	5.0	86	1.7	1.9	62	190	87	2.0	.16	5.9
24	2.5	10	1.8	10	1.8	.84	1.2	190	.98	.84	.15	.94
25	3.0	9.1	2.2	117	1.3	.78	.64	190	.25	.42	.17	93
26	3.0	5.7	2.7	329	1.4	.82	.87	87	79	.35	.19	7.2
27	4.4	2.1	30	27	6.2	.81	.60	12	190	.31	2.0	.18
28	3.5	2.3	26	8.9	1.6	.84	.60	5.0	102	.37	1.1	.17
29	3.4	2.3	11	11	-----	1.1	.68	91	40	.35	.57	2.1
30	183	2.0	13	.27	-----	.95	.64	190	12	.30	.37	.20
31	5.7	-----	17	.21	-----	1.4	-----	190	-----	.26	.32	-----
TOTAL	293.3	540.45	694.56	1,487.38	84.72	44.22	2,674.98	2,767.01	2,270.72	16.92	17.88	142.77
MEAN	9.46	18.0	22.4	48.0	3.03	1.43	89.2	89.3	75.7	.55	.58	4.76
MAX	183	370	257	329	22	3.6	175	190	190	2.3	2.8	93
MIN	2.2	.95	.46	.21	.20	.78	.12	.09	.11	.13	.15	.13
AC-FT	582	1,070	1,380	2,950	168	88	5,310	5,490	4,500	34	35	283
CAL YEAR 1996	TOTAL*	1,528.31	MEAN	16.6	MAX	370	MIN	.46	AC-FT	3,030		
WTR YEAR 1997	TOTAL	11,034.91	MEAN	30.2	MAX	370	MIN	.09	AC-FT	21,890		

* Incomplete Record
As of 10/06/97.E.E.
MB

RUNOFF – DAILY DISCHARGE

WESTERN HYDROLOGIC SYSTEMS - (916) 885-2480

F318RO F318-R EATON WASH @ LOFTUS AVE.

DAILY DISCHARGE IN CUBIC FEET PER SECOND WATER YEAR OCT 1996 TO SEP 1997

Day	OCT	NOV	DEC	JAN	FEB	MAR	APR	MAY	JUN	JUL	AUG	SEP
1	.34	.28	.20	5.8	.12	.14	.19	.13	.25	.22	.21	.37
2	.34	.26	.18	43	.14	.15	.12	.15	.24	.24	.25	.36
3	.32	.62	.17	32	.14	.33	.13	.13	.18	.24	.24	.34
4	.35	.64	.18	.25	.07	.17	.16	.21	.15	.30	.25	.32
5	.40	.62	2.9	6.2	.15	.19	.20	.17	.15	.26	.58	.34
6	.42	.26	2.7	.16	.17	.10	.23	.14	.12	.24	.34	.37
7	.52	.28	.24	.21	.16	.18	.14	.17	.22	.26	.26	.37
8	.33	.25	.28	.17	.15	.16	.17	.16	.18	.24	.31	.33
9	.36	.31	199	.19	.16	.17	.11	.23	.35	.17	.36	.38
10	.32	.34	144	.86	6.9	.14	.15	.21	.13	.17	.35	.34
11	.33	.38	197	2.5	.48	.17	.22	.25	.15	.27	.27	.33
12	.41	.31	14	123	.23	.18	.25	.22	.18	.39	.20	.33
13	.57	.26	1.3	68	.19	.15	.23	.21	1.7	.34	.21	.40
14	.33	.25	1.2	11	.13	.14	.21	.15	.35	.30	.24	.39
15	.28	.23	1.2	130	.19	.18	.18	.95	.23	.17	.20	5.9
16	.31	.28	1.3	1.0	.19	.20	.28	1.1	.37	.17	.26	.53
17	.37	.33	.73	.73	.19	.14	.43	.18	.25	.19	.27	.34
18	.33	.24	.12	1.2	.19	.13	.32	.27	.20	.59	.24	.33
19	.38	1.2	.16	2.0	.23	.14	.18	.18	.29	.30	.32	.32
20	.38	.77	.18	28	.22	.16	.19	.18	.25	.23	.28	.37
21	.23	236	.21	20	.19	.25	.17	.21	.24	.32	.37	.46
22	.27	52	80	29	.23	.24	.18	.21	.24	.20	.65	.36
23	.26	.25	.23	118	.23	.24	.14	.19	.24	.24	.38	.35
24	.33	.22	.18	.29	.16	.16	.11	.40	.20	.30	.35	.36
25	.27	.21	.16	155	.09	.16	.15	.22	.24	.21	.52	121
26	.32	.77	.15	158	.18	.17	.14	.20	.29	.27	.30	1.3
27	.42	.36	48	4.1	3.1	.16	.21	.19	.29	.31	.31	.50
28	.52	.20	11	.32	.18	.17	.24	.22	.18	.25	.32	.47
29	.61	.20	.26	1.5	-----	.18	.17	.17	.14	.40	.30	.42
30	173	.20	.25	1.6	-----	.18	.18	.24	.21	.18	.33	.28
31	.25	-----	.26	.06	-----	.22	-----	.21	-----	.18	.34	-----
TOTAL	183.87	298.52	707.74	944.14	14.76	5.45	5.78	7.85	8.21	8.15	9.81	138.26
MEAN	5.93	9.95	22.8	30.5	.53	.18	.19	.25	.27	.26	.32	4.61
MAX	173	236	199	158	6.9	.33	.43	1.1	1.7	.59	.65	121
MIN	.23	.20	.12	.06	.07	.10	.11	.13	.12	.17	.20	.28
AC-FT	365	592	1,400	1,870	29	11	11	16	16	16	19	274
CAL YEAR 1996	TOTAL*	1,190.13	MEAN	12.9	MAX	236	MIN	.12	AC-FT	2,360		
WTR YEAR 1997	TOTAL	2,332.54	MEAN	6.39	MAX	236	MIN	.06	AC-FT	4,630		

* Incomplete Record
As of 10/07/97.E.E.

(a) No gage height record; Did not register in the card and was erased with last year's data: Dates: 10/01/96 from 0000 to 1230. Estimated daily Q=0.30.

RUNOFF – DAILY DISCHARGE

WESTERN HYDROLOGIC SYSTEMS - (916) 885-2480

00U7RO U7-R FISH CREEK

DAILY DISCHARGE IN CUBIC FEET PER SECOND WATER YEAR OCT 1996 TO SEP 1997

Day	OCT	NOV	DEC	JAN	FEB	MAR	APR	MAY	JUN	JUL	AUG	SEP
1	.80	2.5	1.9	4.0	24	7.3	3.2	1.2	.87	.37	.28	.22
2	.80	2.4	1.7	4.7	21	7.4	3.2	1.2	.87	.37	.28	.22
3	.80	2.4	1.5	15	19	7.3	3.1	1.1	.87	.37	.31	.22
4	.80	2.4	1.3	10	17	6.9	3.0	1.1	.86	.40	.32	.22
5	.80	2.3	1.1	9.8	15	6.6	2.9	1.1	.83	.41	.32	.19
6	.80	2.3	.96	8.3	13	6.4	2.8	1.1	.87	.40	.32	.19
7	.80	2.3	.78	7.5	12	6.3	2.7	1.1	.83	.38	.32	.19
8	.80	2.3	1.0	6.9	11	6.1	2.6	1.0	.80	.37	.32	.19
9	.80	2.3	1.0	5.8	10	5.9	2.5	1.0	.78	.37	.32	.18
10	.80	2.3	2.9	5.3	10	5.7	2.5	1.0	.74	.37	.31	.17
11	.76	2.3	65	5.0	9.9	5.5	2.4	1.0	.74	.37	.28	.16
12	.74	2.3	17	13	9.4	5.3	2.3	1.0	.74	.37	.28	.17
13	.74	2.3	4.4	26	8.8	5.2	2.3	.94	.74	.37	.28	.17
14	.74	2.3	2.1	19	8.3	5.0	2.2	.94	.69	.37	.28	.17
15	.74	2.3	1.5	33	7.9	5.0	2.1	.94	.68	.37	.28	.17
16	.74	2.3	1.2	30	7.6	4.9	2.0	.94	.68	.37	.28	.17
17	.74	2.3	.98	24	7.5	4.7	2.0	.94	.68	.37	.28	.18
18	.74	2.3	.94	19	7.4	4.7	1.9	.94	.65	.37	.28	.19
19	.74	2.2	.90	16	7.4	4.5	1.9	.94	.60	.37	.25	.19
20	.70	2.2	.87	17	7.3	4.3	1.8	.94	.60	.37	.25	.19
21	.68	7.9	.82	16	7.2	4.2	1.7	.94	.60	.37	.25	.19
22	.68	18	61	18	7.1	4.1	1.7	.94	.60	.37	.25	.17
23	.62	3.7	17	56	7.2	4.0	1.6	.88	.55	.37	.25	.19
24	.60	2.6	5.5	38	7.2	3.9	1.5	.87	.53	.37	.25	.19
25	.60	2.5	2.9	46	7.3	3.8	1.5	.87	.47	.35	.25	.19
26	.54	2.4	2.0	125	7.4	3.8	1.4	.87	.47	.32	.25	.19
27	.53	2.4	6.2	65	8.2	3.7	1.3	.87	.46	1.6	.24	.19
28	.51	2.4	15	47	7.6	3.6	1.3	.87	.42	2.0	.22	.21
29	.47	2.3	8.3	40	-----	3.5	1.2	.87	.42	.20	.22	.22
30	4.6	2.3	5.1	33	-----	3.4	1.2	.87	.42	.26	.22	.22
31	2.5	-----	3.6	29	-----	3.3	-----	.87	-----	.28	.22	-----
TOTAL	27.71	92.8	271.55	792.3	292.7	156.3	63.8	30.14	20.06	14.00	8.46	5.71
MEAN	.89	3.09	8.76	25.6	10.5	5.04	2.13	.97	.67	.45	.27	.19
MAX	4.6	18	65	125	24	7.4	3.2	1.2	.87	2.0	.32	.22
MIN	.47	2.2	.78	4.0	7.1	3.3	1.2	.87	.42	.20	.22	.16
AC-FT	55	184	539	1,570	581	310	127	60	40	28	17	11
CAL YEAR 1996 TOTAL*		392.06	MEAN	4.26	MAX	65	MIN	.47	AC-FT	778		
WTR YEAR 1997 TOTAL		1,775.53	MEAN	4.86	MAX	125	MIN	.16	AC-FT	3,520		

* Incomplete Record
As of 10/09/97

MB

RUNOFF – DAILY DISCHARGE

WESTERN HYDROLOGIC SYSTEMS - (916) 885-2480

00LRO L1-R LITTLE ROCK CREEK ABOVE LITTLE ROCK DAM

DAILY DISCHARGE IN CUBIC FEET PER SECOND WATER YEAR OCT 1996 TO SEP 1997

Day	OCT	NOV	DEC	JAN	FEB	MAR	APR	MAY	JUN	JUL	AUG	SEP
1	0	0	3.4	23	30	11	6.0	2.7	.53	0	0	0
2	0	0	3.7	34	27	10	6.1	2.7	.34	0	0	0
3	0	0	4.1	74	25	9.6	7.5	2.4	.41	0	0	0
4	0	0	4.5	50	22	9.1	7.5	2.3	.44	0	0	0
5	0	0	4.8	31	21	8.7	6.4	2.2	.44	0	0	0
6	0	0	5.1	24	19	8.7	6.2	2.1	.34	0	0	0
7	0	0	5.5	21	18	8.5	6.4	1.6	.42	0	0	0
8	0	0	5.9	18	17	8.3	6.0	1.5	.24	0	0	0
9	0	0	7.6	17	17	8.1	6.1	1.5	.33	0	0	0
10	0	0	44	16	16	8.0	5.1	1.9	.15	0	0	0
11	0	0	88	15	16	7.9	4.8	1.9	.18	0	0	0
12	0	0	51	15	15	7.5	4.4	1.2	.07	0	0	0
13	0	0	23	16	15	7.5	4.2	1.4	.11	0	0	0
14	0	0	16	14	14	7.7	3.9	1.1	0	0	0	0
15	0	0	13	15	13	7.4	3.7	1.2	0	0	0	0
16	0	0	12	16	13	7.2	3.4	1.1	0	0	0	0
17	0	0	11	16	13	7.2	3.4	.94	0	0	0	0
18	0	0	11	17	13	7.4	3.1	.83	0	0	0	0
19	0	0	10	18	12	7.6	3.2	.65	0	0	0	0
20	0	0	11	19	12	7.3	3.2	.46	0	0	0	0
21	0	0	10	20	12	7.2	3.1	.73	0	0	0	0
22	0	.09	31	20	12	7.0	3.0	.74	0	0	0	0
23	0	1.4	36	38	12	7.0	2.9	.61	0	0	0	0
24	0	1.4	19	46	12	6.8	3.0	.66	0	0	0	0
25	0	1.6	17	47	12	6.6	3.0	1.6	0	0	0	0
26	0	1.6	16	207	12	6.6*	2.8	1.9	0	0	0	0
27	0	1.9	15	139	12	6.5*	2.8	1.5	0	0	0	0
28	0	2.3	24	83	11	6.4*	2.6	1.4	0	0	0	0
29	0	2.6	23	60	-----	6.3*	2.7	1.2	0	0	0	0
30	0	2.9	21	45	-----	6.2*	2.7	1.0	0	0	0	0
31	0	-----	23	35	-----	6.1*	-----	.65	-----	0	0	-----
TOTAL	0	15.79	569.6	1,209	443	237.4	129.2	43.67	4.00	0	0	0
MEAN	0	.53	18.4	39.0	15.8	7.66	4.31	1.41	.13	0	0	0
MAX	0	2.9	88	207	30	11	7.5	2.7	.53	0	0	0
MIN	0	0	3.4	14	11	6.1	2.6	.46	0	0	0	0
AC-FT	0	31	1,130	2,400	879	471	256	87	7.9	0	0	0
CAL YEAR 1996	TOTAL*	585.39	MEAN	6.36	MAX	88	MIN	0	AC-FT	1,160		
WTR YEAR 1997	TOTAL	2,651.66	MEAN	7.26	MAX	207	MIN	0	AC-FT	5,260		

* Incomplete Record Missing data 3/26-3/31 recorder malfunction

RUNOFF – DAILY DISCHARGE

WESTERN HYDROLOGIC SYSTEMS - (916) 885-2480

0P57RO.97 F57C-R LOS ANGELES RIVER ABOVE ARROYO SECO

DAILY DISCHARGE IN CUBIC FEET PER SECOND WATER YEAR OCT 1996 TO SEP 1997

Day	OCT	NOV	DEC	JAN	FEB	MAR	APR	MAY	JUN	JUL	AUG	SEP
1	149	146	144	151	152	117	105	95	137	147	95	97
2	146	144	144	674	151	114	101	94	133	154	99	105
3	147	144	144	766	137	119	101	97	127	148	108	94
4	149	144	144	149	137	117	101	95	120	158	108	91
5	146	144	144	156	139	108	106	96	112	148	118	96
6	144	144	430	145	142	106	107	96	104	151	125	103
7	144	144	145	145	137	106	112	98	108	142	117	113
8	144	145	145	144	130	109	113	98	108	132	110	111
9	147	144	3,760	145	137	120	113	100	105	121	112	109
10	149	145	2,350	146	208	122	115	101	107	124	111	124
11	145	146	3,360	149	212	128	122	109	113	121	110	129
12	145	146	614	1,310	129	121	121	109	113	124	106	131
13	145	148	147	1,330	129	117	119	112	113	124	109	136
14	145	158	144	193	126	117	125	103	108	126	111	139
15	146	150	144	2,280	126	116	131	115	112	115	109	135
16	147	151	144	212	131	116	129	114	110	118	109	142
17	146	153	144	150	553	112	135	121	105	109	109	151
18	157	152	144	148	129	113	131	118	120	100	108	157
19	163	155	144	147	111	108	136	128	110	105	105	127
20	152	163	144	977	106	107	138	123	108	98	107	133
21	153	2,820	144	540	109	108	135	123	106	98	108	133
22	154	772	2,330	552	113	112	123	119	110	104	108	141
23	156	155	193	1,700	113	105	110	134	114	99	107	146
24	161	144	145	205	116	107	100	137	124	94	105	147
25	167	144	144	1,150	116	107	101	141	126	95	104	602
26	158	144	145	1,900	119	105	98	147	121	94	103	91
27	147	144	849	469	121	103	95	156	135	93	102	86
28	157	145	306	209	122	105	94	147	140	94	105	86
29	149	144	145	212	-----	106	94	165	153	96	104	88
30	2,020	144	147	174	-----	109	94	154	154	94	107	87
31	152	-----	146	152	-----	107	-----	154	-----	93	103	-----
TOTAL	6,530	7,722	17,373	16,780	4,151	3,467	3,405	3,699	3,556	3,619	3,342	4,030
MEAN	211	257	560	541	148	112	114	119	119	117	108	134
MAX	2,020	2,820	3,760	2,280	553	128	138	165	154	158	125	602
MIN	144	144	144	144	106	103	94	94	104	93	95	86
AC-FT	12,950	15,320	34,460	33,280	8,230	6,880	6,750	7,340	7,050	7,180	6,630	7,990
CAL YEAR 1996 TOTAL*		31,625	MEAN	344	MAX	3,760	MIN	144	AC-FT	62,730		
WTR YEAR 1997 TOTAL		77,674	MEAN	213	MAX	3,760	MIN	86	AC-FT	154,100		

* Incomplete Record

BY SOO KHOO. THE STATION STILLING WELL FILLED WITH MUD AND THE STREAM FLOW IS RUNNING BELOW THE COMMUNICATION HOLE, SO THAT NO WATER GETTING INSIDE STILLING WELL. ABOVE DATA ARE BASED ON MEASUREMENT AND VISUAL ESTIMATION.

RUNOFF – DAILY DISCHARGE

WESTERN HYDROLOGIC SYSTEMS - (916) 885-2480

F300RO F300-R LOS ANGELES RIVER @ TUJUNGA AVE.

DAILY DISCHARGE IN CUBIC FEET PER SECOND WATER YEAR OCT 1996 TO SEP 1997

Day	OCT	NOV	DEC	JAN	FEB	MAR	APR	MAY	JUN	JUL	AUG	SEP
1	76	100	72	202	114	84	80	85	84	86	87	84
2	83	90	77	638	112	78	75	86	93	83	88	93
3	67	90	79	534	96	79	67	91	88	82	73	74
4	83	96	56	117	94	72	83	78	93	74	86	80
5	82	93	142	117	105	56	92	83	91	86	92	89
6	79	87	381	100	103	53	90	87	93	88	92	90
7	84	83	78	107	95	55	97	91	100	85	90	84
8	82	90	81	95	93	66	85	92	97	85	84	88
9	86	81	2,590	95	84	79	90	91	85	83	90	86
10	82	83	2,110	96	182	86	97	97	91	86	89	98
11	79	84	2,170	99	125	91	96	95	92	89	88	86
12	78	79	520	999	104	99	93	89	91	93	81	95
13	75	89	99	774	100	99	86	90	86	90	88	95
14	81	97	86	159	99	103	96	68	84	92	88	89
15	83	80	79	1,460	98	105	97	86	85	93	85	86
16	85	86	83	162	102	104	94	91	93	96	96	89
17	86	83	85	116	444	100	99	92	91	89	90	88
18	91	76	88	112	112	97	94	88	104	91	92	111
19	94	88	85	102	93	94	94	99	88	85	82	84
20	85	92	91	657	86	94	95	94	86	83	88	85
21	93	2,050	92	526	94	100	92	95	85	92	91	82
22	89	330	1,940	599	98	109	91	88	87	93	88	81
23	92	105	162	1,200	93	97	87	95	77	88	100	80
24	97	81	105	196	98	102	89	93	85	89	95	80
25	99	71	99	861	87	102	97	83	84	90	92	480
26	89	88	97	1,340	98	98	90	88	85	89	84	101
27	76	80	773	345	98	97	90	86	90	87	62	91
28	92	84	201	255	98	100	80	91	90	93	86	81
29	90	71	107	259	-----	105	87	94	90	86	86	82
30	1,450	80	113	147	-----	101	77	93	86	89	91	79
31	108	-----	110	108	-----	96	-----	90	-----	90	84	-----
TOTAL	4,016	4,787	12,851	12,577	3,205	2,801	2,680	2,769	2,674	2,725	2,708	3,011
MEAN	130	160	415	406	114	90.4	89.3	89.3	89.1	87.9	87.4	100
MAX	1,450	2,050	2,590	1,460	444	109	99	99	104	96	100	480
MIN	67	71	56	95	84	53	67	68	77	74	62	74
AC-FT	7,970	9,500	25,490	24,950	6,360	5,560	5,320	5,490	5,300	5,410	5,370	5,970
CAL YEAR 1996	TOTAL*	21,654	MEAN	235	MAX	2,590	MIN	56	AC-FT	42,950		
WTR YEAR 1997	TOTAL	56,804	MEAN	156	MAX	2,590	MIN	53	AC-FT	112,700		

* Incomplete Record
11-06-2000 BY SOO KHOO.

RUNOFF – DAILY DISCHARGE

WESTERN HYDROLOGIC SYSTEMS - (916) 885-2480

F319RO F319-R LOS ANGELES RIVER BELOW WARDLOW

DAILY DISCHARGE IN CUBIC FEET PER SECOND WATER YEAR OCT 1996 TO SEP 1997

Day	OCT	NOV	DEC	JAN	FEB	MAR	APR	MAY	JUN	JUL	AUG	SEP
1	141	143	131	176	185	141	135	107	136	137	148	127
2	139	134	128	478	184	145	117	116	140	130	144	126
3	133	131	131	964	183	148	114	117	143	122	141	139
4	126	130	123	198	179	153	123	116	133	115	126	113
5	140	135	122	204	180	145	130	114	140	118	133	115
6	136	131	307	183	182	113	134	116	141	130	133	124
7	130	117	147	162	188	111	132	118	143	123	131	128
8	141	123	129	147	176	124	137	118	142	121	127	126
9	136	130	6,780	140	181	140	121	128	143	132	119	122
10	151	113	3,800	150	150	149	129	120	130	127	135	119
11	134	116	7,390	150	211	156	133	131	136	127	138	127
12	142	128	1,050	1,770	142	146	129	131	132	140	133	120
13	139	121	276	1,790	143	148	123	130	147	142	125	125
14	140	139	223	222	141	148	122	123	124	139	128	130
15	142	133	191	3,460	141	145	131	114	122	142	130	155
16	142	121	201	257	144	143	134	121	124	133	128	133
17	145	127	203	176	274	142	129	130	146	143	135	127
18	148	129	201	169	204	143	130	126	145	135	133	123
19	152	125	199	361	142	143	127	135	147	140	133	142
20	151	147	199	1,060	139	139	126	143	126	135	121	125
21	142	3,870	207	676	136	140	132	139	131	127	125	128
22	150	1,420	3,020	871	133	138	119	141	129	146	135	126
23	148	209	523	4,110	134	137	126	133	140	144	126	132
24	153	167	252	311	132	137	118	129	136	139	138	133
25	154	167	247	2,900	126	139	125	125	136	141	134	721
26	150	136	246	5,830	123	134	134	118	132	140	135	219
27	133	157	1,500	1,150	129	136	118	129	132	138	126	145
28	122	139	700	252	130	138	130	129	132	130	91	135
29	118	134	197	244	-----	138	112	132	135	142	125	133
30	4,150	124	182	215	-----	140	127	134	135	132	123	124
31	241	-----	179	186	-----	139	-----	131	-----	122	135	-----
TOTAL	8,469	9,096	29,184	28,962	4,512	4,338	3,797	3,894	4,078	4,132	4,034	4,542
MEAN	273	303	941	934	161	140	127	126	136	133	130	151
MAX	4,150	3,870	7,390	5,830	274	156	137	143	147	146	148	721
MIN	118	113	122	140	123	111	112	107	122	115	91	113
AC-FT	16,800	18,040	57,890	57,450	8,950	8,600	7,530	7,720	8,090	8,200	8,000	9,010
CAL YEAR 1996	TOTAL*	46,749	MEAN	508	MAX	7,390	MIN	113	AC-FT	92,730		
WTR YEAR 1997	TOTAL	109,038	MEAN	299	MAX	7,390	MIN	91	AC-FT	216,300		

* Incomplete Record

RUNOFF – DAILY DISCHARGE

WESTERN HYDROLOGIC SYSTEMS - (916) 885-2480

OF34RO F34D-R LOS ANGELES RIVER BELOW FIRESTONE

DAILY DISCHARGE IN CUBIC FEET PER SECOND WATER YEAR OCT 1996 TO SEP 1997

Day	OCT	NOV	DEC	JAN	FEB	MAR	APR	MAY	JUN	JUL	AUG	SEP
1	108	128	100	116	139	133	116	115	116	116	121	120
2	108	110	100	472	136	133	116	113	111	116	114	130
3	108	101	103	686	136	129	116	113	111	116	119	127
4	108	102	101	180	134	127	116	113	111	116	115	117
5	108	110	98	143	133	125	116	112	113	116	122	116
6	110	112	317	130	132	112	116	111	117	116	123	118
7	112	108	153	116	130	103	116	111	119	116	126	115
8	113	103	109	111	130	103	114	111	121	114	121	114
9	113	103	6,170	107	130	109	101	112	121	101	123	113
10	113	101	2,890	105	129	114	105	113	121	105	135	114
11	113	101	4,860	111	218	119	110	116	121	110	131	112
12	111	101	594	1,540	138	123	117	119	121	117	122	108
13	111	101	216	1,630	122	126	120	119	121	120	118	107
14	111	107	152	219	116	127	122	115	120	122	117	107
15	111	111	139	3,160	118	127	121	108	118	121	116	104
16	115	110	131	256	116	127	122	108	116	122	119	101
17	118	106	128	162	371	127	120	108	116	120	125	103
18	121	105	126	136	222	127	113	108	116	113	127	113
19	121	104	126	121	137	127	120	109	118	120	120	123
20	120	105	124	902	134	127	111	113	119	111	121	120
21	119	3,650	124	425	133	127	117	113	119	117	128	120
22	121	990	2,890	382	133	127	122	117	119	122	130	125
23	121	230	327	2,430	131	127	118	120	125	118	127	128
24	123	153	187	206	127	127	113	115	129	113	130	125
25	124	128	148	1,280	129	127	117	116	130	117	120	694
26	120	110	134	1,980	129	127	119	119	127	119	118	171
27	111	109	781	375	129	127	118	120	120	118	101	112
28	111	105	463	197	132	127	121	121	118	121	107	108
29	112	103	196	174	-----	126	124	123	116	124	119	107
30	2,970	98	148	157	-----	124	119	123	116	119	120	111
31	229	-----	138	130	-----	124	-----	116	-----	115	126	-----
TOTAL	6,514	7,805	22,273	18,139	4,064	3,835	3,496	3,550	3,566	3,611	3,761	4,083
MEAN	210	260	718	585	145	124	117	115	119	116	121	136
MAX	2,970	3,650	6,170	3,160	371	133	124	123	130	124	135	694
MIN	108	98	98	105	116	103	101	108	111	101	101	101
AC-FT	12,920	15,480	44,180	35,980	8,060	7,610	6,930	7,040	7,070	7,160	7,460	8,100
CAL YEAR 1996	TOTAL*	36,592	MEAN	398	MAX	6,170	MIN	98	AC-FT	72,580		
WTR YEAR 1997	TOTAL	84,697	MEAN	232	MAX	6,170	MIN	98	AC-FT	168,000		

* Incomplete Record
As of 10/09/97.RV.

RUNOFF – DAILY DISCHARGE

WESTERN HYDROLOGIC SYSTEMS - (916) 885-2480

F130RO F130-R MALIBU CREEK BELOW COLD CREEK

DAILY DISCHARGE IN CUBIC FEET PER SECOND WATER YEAR OCT 1996 TO SEP 1997

Day	OCT	NOV	DEC	JAN	FEB	MAR	APR	MAY	JUN	JUL	AUG	SEP
1	5.0	17	16	65	119	61	34	26	15	8.4	5.7	5.7
2	5.0	12	16	94	105	61	31	24	15	8.2	6.9	5.4
3	5.0	14	15	99	99	63	29	22	11	7.7	6.7	4.7
4	4.8	15	25	82	94	64	29	22	10	7.6	6.5	4.2
5	6.6	13	27	76	92	64	28	23	10	7.6	6.3	4.1
6	7.5	13	32	65	87	60	28	23	10	7.5	3.9	3.9
7	6.7	12	30	59	86	56	31	22	9.8	7.2	3.2	3.8
8	6.5	12	27	53	85	56	30	20	10	7.1	3.2	3.7
9	6.2	11	408	51	85	57	28	18	10	7.1	3.2	3.4
10	7.1	10	444	51	85	53	30	17	10	6.8	3.2	3.4
11	6.8	8.0	807	51	88	51	30	16	10	6.5	3.2	3.4
12	7.0	11	229	86	86	48	28	16	10	6.5	3.2	3.6
13	6.8	8.6	119	199	80	42	28	16	10	6.5	3.2	3.8
14	7.3	11	85	94	79	40	28	15	10	6.3	3.2	3.8
15	7.4	12	59	419	75	39	29	14	10	6.9	3.2	3.6
16	7.6	10	50	221	69	39	29	14	11	7.1	3.2	3.8
17	7.6	11	44	143	68	42	28	13	11	6.8	3.2	3.8
18	8.5	12	41	121	75	42	28	14	11	6.8	3.2	4.1
19	8.7	12	41	98	74	39	27	14	11	6.2	3.2	4.8
20	6.0	12	38	164	73	36	27	14	10	6.1	3.2	4.8
21	9.5	100	36	146	66	34	26	14	10	5.7	3.2	4.8
22	6.1	89	242	179	60	34	27	15	9.7	5.7	3.2	4.6
23	6.4	25	116	610	57	36	27	15	9.5	5.5	3.2	4.3
24	6.2	21	79	255	57	36	27	17	9.5	5.4	4.1	4.8
25	6.5	18	67	270	57	35	26	18	9.5	5.1	4.8	5.8
26	6.0	16	60	510	58	35	25	17	9.3	5.1	5.1	5.4
27	11	17	96	299	60	35	24	17	9.1	5.1	5.3	7.2
28	7.5	19	157	213	61	32	23	16	8.8	5.0	5.4	4.4
29	9.9	15	94	186	-----	31	25	16	8.8	5.0	5.5	5.2
30	252	15	85	172	-----	33	27	15	8.5	5.0	5.7	7.2
31	35	-----	76	147	-----	35	-----	15	-----	5.5	5.7	-----
TOTAL	490.2	571.6	3,661	5,278	2,180	1,389	837	538	307.5	199.0	132.0	135.5
MEAN	15.8	19.1	118	170	77.9	44.8	27.9	17.4	10.3	6.42	4.26	4.52
MAX	252	100	807	610	119	64	34	26	15	8.4	6.9	7.2
MIN	4.8	8.0	15	51	57	31	23	13	8.5	5.0	3.2	3.4
AC-FT	972	1,130	7,260	10,470	4,320	2,760	1,660	1,070	610	395	262	269
CAL YEAR 1996	TOTAL*	4,722.8	MEAN	51.3	MAX	807	MIN	4.8	AC-FT	9,370		
WTR YEAR 1997	TOTAL	15,718.8	MEAN	43.1	MAX	807	MIN	3.2	AC-FT	31,180		

* Incomplete Record
As of 10/02/97.R.V.

RUNOFF – DAILY DISCHARGE

WESTERN HYDROLOGIC SYSTEMS - (916) 885-2480

F328RO F328-R MINT CANYON CREEK AT FITCH AVE.

DAILY DISCHARGE IN CUBIC FEET PER SECOND WATER YEAR OCT 1996 TO SEP 1997

Day	OCT	NOV	DEC	JAN	FEB	MAR	APR	MAY	JUN	JUL	AUG	SEP
1	0	0	0	1.6	.11	0	0	0	0	0	0	0
2	0	0	0	.16	.11	0	0	0	0	0	0	0
3	0	0	0	.11	.11	0	0	0	0	0	0	0
4	0	0	0	.09	.11	0	0	0	0	0	0	0
5	0	0	0	.17	.11	0	0	0	0	0	0	0
6	0	0	0	.13	.11	0	0	0	0	0	0	0
7	0	0	0	.12	.11	0	0	0	0	0	0	0
8	0	0	0	.20	.18	0	0	0	0	0	0	0
9	0	0	0	.18	.18	0	0	0	0	0	0	0
10	0	0	0	.37	.34	0	0	0	0	0	0	0
11	0	0	0	.36	.11	0	0	0	0	0	0	0
12	0	0	0	1.3	.11	0	0	0	0	0	0	0
13	0	0	0	.91	.11	0	0	0	0	0	0	0
14	0	0	0	.25	.12	0	0	0	0	0	0	0
15	0	0	0	1.7	.18	0	0	0	0	0	0	0
16	0	0	0	1.5	.18	0	0	0	0	0	0	0
17	0	0	0	.99	.24	0	0	0	0	0	0	0
18	0	0	0	.75	.04	0	0	0	0	0	0	0
19	0	0	.01	.49	0	0	0	0	0	0	0	0
20	0	0	.04	.66	0	0	0	0	0	0	0	0
21	0	0	.08	.12	0	0	0	0	0	0	0	0
22	0	0	.18	.09	0	0	0	0	0	0	0	0
23	0	0	.11	.15	0	0	0	0	0	0	0	0
24	0	0	.06	.66	0	0	0	0	0	0	0	0
25	0	0	.09	2.1	0	0	0	0	0	0	0	0
26	0	0	.12	4.0	0	0	0	0	0	0	0	0
27	0	0	.07	1.8	0	0	0	0	0	0	0	0
28	0	0	0	.46	0	0	0	0	0	0	0	0
29	0	0	0	.11	-----	0	0	0	0	0	0	0
30	0	0	1.2	.15	-----	0	0	0	0	0	0	0
31	0	-----	3.5	.16	-----	0	-----	0	-----	0	0	-----
TOTAL	0	0	5.46	21.84	2.56	0	0	0	0	0	0	0
MEAN	0	0	.18	.70	.091	0	0	0	0	0	0	0
MAX	0	0	3.5	4.0	.34	0	0	0	0	0	0	0
MIN	0	0	0	.09	0	0	0	0	0	0	0	0
AC-FT	0	0	11	43	5.1	0	0	0	0	0	0	0
*												
CAL YEAR 1996	TOTAL*	5.46	MEAN	.059	MAX	3.5	MIN	0	AC-FT	11		
WTR YEAR 1997	TOTAL*	29.86	MEAN	.082	MAX	4.0	MIN	0	AC-FT	59		

* Incomplete Record Data missing 6/17@1435 to 6/18@ 1300 due to recorder problems.

RUNOFF – DAILY DISCHARGE

WESTERN HYDROLOGIC SYSTEMS - (916) 885-2480

F181RO F181-R MONTEBELLO STORM DRAIN ABOVE RIO HONDO

DAILY DISCHARGE IN CUBIC FEET PER SECOND WATER YEAR OCT 1996 TO SEP 1997

Day	OCT	NOV	DEC	JAN	FEB	MAR	APR	MAY	JUN	JUL	AUG	SEP
1	.06	.21	.02	1.2	.06	.01	.02	.03	.02	.03	.03	.03
2	.06	.06	.02	5.8	.06	0	.27	.03	.03	.03	.03	.03
3	.05	.04	.02	6.8	.05	0	.04	.03	.03	.03	.03	.04
4	.05	.03	.02	.13	.05	.01	.03	.03	.03	.03	.04	.03
5	.05	.03	.33	.05	.05	.01	.03	.03	.02	.03	.04	.03
6	.04	.02	2.2	.04	.05	.01	.03	.03	.02	.03	.04	.03
7	.04	.02	.14	.03	.04	.02	.03	.03	.02	.03	.04	.03
8	.04	.02	.04	.03	.04	.01	.03	.03	.02	.06	.04	.03
9	.04	.02	31	.02	.03	.01	.03	.03	.02	.20	.03	.03
10	.04	.02	13	.02	.03	.01	.03	.03	.02	.06	.03	.03
11	.04	.02	31	.02	.04	.01	1.6	.03	.02	.04	.03	.03
12	.04	.02	3.6	19	.04	.01	.16	.03	.02	.04	.03	.03
13	.04	.02	.19	13	.03	.02	.04	.03	1.2	.04	.03	.03
14	.05	.02	.05	2.4	.02	.02	.03	.03	.28	.04	.03	.03
15	.05	.02	.03	27	.02	.02	.03	.03	.07	.04	.03	2.8
16	.04	.02	.02	.16	.02	.02	1.6	.03	.05	.03	.03	.46
17	.04	.02	.02	.05	.02	.01	.19	.03	.04	.03	.03	.09
18	.04	.02	.02	.04	.02	.01	.05	.03	.04	.03	.03	.05
19	.04	.02	.02	.03	.01	.01	.04	.03	.04	.03	.03	.05
20	.03	.02	.01	.62	.01	.02	.04	.03	.04	.03	.03	.04
21	.03	35	.02	2.8	.01	.02	.04	.03	.04	.03	.03	.04
22	.03	7.1	8.4	2.6	.01	.02	.03	.03	.03	.03	.03	.04
23	.03	.45	.31	26	.01	.02	.45	.03	.03	.03	.03	.04
24	.03	.06	.06	.08	0	.02	.10	.02	.03	.03	.03	.04
25	.03	.03	.05	31	0	.02	.05	.02	.03	.03	.03	13
26	.03	.03	.05	24	0	.02	.04	.02	.03	.03	.03	1.2
27	.04	.02	14	.94	.01	.02	.04	.02	.03	.03	.03	.22
28	.04	.02	4.1	.14	.01	.02	.04	.02	.03	.03	.03	.07
29	.03	.02	.48	.07	-----	.02	.04	.02	.03	.03	.03	.06
30	26	.02	.13	.06	-----	.02	.03	.02	.03	.03	.03	.05
31	1.1	-----	.05	.06	-----	.02	-----	.02	-----	.03	.03	-----
TOTAL	28.27	43.42	109.40	164.19	0.74	0.46	5.18	0.85	2.34	1.21	0.98	18.68
MEAN	.91	1.45	3.53	5.30	.026	.015	.17	.027	.078	.039	.032	.62
MAX	26	35	31	31	.06	.02	1.6	.03	1.2	.20	.04	13
MIN	.03	.02	.01	.02	0	0	.02	.02	.02	.03	.03	.03
AC-FT	56	86	217	326	1.5	.9	10	1.7	4.6	2.4	1.9	37
CAL YEAR 1996	TOTAL*	181.09	MEAN	1.97	MAX	35	MIN	.01	AC-FT	359		
WTR YEAR 1997	TOTAL	375.72	MEAN	1.03	MAX	35	MIN	0	AC-FT	745		

* Incomplete Record Steven AxSys. Data 96-97
As Of 10-09-97 by Soo Khoo

RUNOFF – DAILY DISCHARGE

WESTERN HYDROLOGIC SYSTEMS - (916) 885-2480

F118RO F118 B-R PACIOMA DAM OUTFLOW

DAILY DISCHARGE IN CUBIC FEET PER SECOND WATER YEAR OCT 1996 TO SEP 1997

Day	OCT	NOV	DEC	JAN	FEB	MAR	APR	MAY	JUN	JUL	AUG	SEP
1	1.0	1.0	1.0	24	60	8.0	27	.60	.60	.60	.60	.60
2	1.0	1.0	1.0	24	58	8.0	26	.60	.60	.60	.60	.60
3	1.0	1.0	10	24	38	8.0	9.5	.60	.60	.60	.60	.60
4	1.0	1.0	2.0	24	48	10	.60	.60	.60	.60	.60	.60
5	1.0	1.0	3.0	24	38	12	.60	.60	1.4	.60	.60	.60
6	1.0	1.0	3.0	24	38	11	.60	.60	.60	.60	.60	.60
7	1.0	1.0	3.0	24	38	11	.60	.60	.60	.60	.60	.60
8	1.0	1.0	1.0	17	38	11	.60	.60	.60	.60	.60	.60
9	1.0	1.0	1.0	17	37	11	.60	.60	17	.60	.60	.60
10	1.0	1.0	1.0	17	23	9.3	.60	.60	24	.60	.60	.60
11	1.0	1.0	1.0	17	18	8.0	.60	.60	14	.60	.60	.60
12	1.0	1.0	1.0	17	18	8.0	.60	.60	.60	.60	.60	.60
13	1.0	1.0	1.0	21	18	8.0	.60	.60	.60	.60	.60	.60
14	1.0	1.0	1.0	18	18	8.0	16	.60	.60	.60	.60	.60
15	1.0	1.0	1.0	24	18	8.0	24	.60	.60	.60	.60	.60
16	1.0	1.0	1.0	24	18	8.0	24	.60	.60	.60	.60	.60
17	1.0	1.0	15	26	18	8.0	23	.60	.60	.60	.60	.60
18	1.0	1.0	6.0	28	18	8.0	7.4	.60	.60	.60	.60	.60
19	1.0	1.0	6.0	35	18	8.0	.60	.60	.60	.60	.60	.60
20	1.0	1.0	2.0	37	18	6.5	.60	.60	.60	.60	.60	.60
21	1.0	.75	2.0	38	18	6.5	.60	.60	.60	.60	.60	.60
22	1.0	1.0	2.0	20	18	6.5	.60	.60	.60	.60	.60	.60
23	1.0	1.0	28	1.0	18	6.5	.60	.60	.60	.60	.60	.60
24	1.0	1.0	28	1.0	19	6.5	.60	.60	.60	.60	.60	.60
25	1.0	1.0	28	1.0	18	6.5	.60	.60	.60	.60	.60	.60
26	1.0	1.0	24	1.0	18	6.5	.60	.60	.60	.60	.60	.60
27	1.0	1.0	24	103	12	6.5	.60	.60	.60	.60	.60	.60
28	1.0	1.0	24	174	8.0	6.5	.60	.60	.60	.60	.60	.60
29	1.0	1.0	24	142	-----	6.5	.60	.60	.60	.60	.60	.60
30	1.0	1.0	24	81	-----	2.3	.60	.60	.60	.60	.60	.60
31	1.0	-----	24	65	-----	12	-----	.60	-----	.60	.60	-----
TOTAL	31.0	29.75	293.0	1,093.0	725.0	250.6	170.10	18.60	72.00	18.60	18.60	18.00
MEAN	1.00	.99	9.45	35.3	25.9	8.08	5.67	.60	2.40	.60	.60	.60
MAX	1.0	1.0	28	174	60	12	27	.60	24	.60	.60	.60
MIN	1.0	.75	1.0	1.0	8.0	2.3	.60	.60	.60	.60	.60	.60
AC-FT	61	59	581	2,170	1,440	497	337	37	143	37	37	36
CAL YEAR 1996	TOTAL*	353.75	MEAN	3.85	MAX	28	MIN	.75	AC-FT	702		
WTR YEAR 1997	TOTAL	2,738.25	MEAN	7.50	MAX	174	MIN	.60	AC-FT	5,430		

* Incomplete Record Recorder reinstalled 10-22-96. Proper gage height was not set.
 Flows estimated from Dam records: Oct., Nov., Dec., Jan., Feb., Mar.

RUNOFF – DAILY DISCHARGE

WESTERN HYDROLOGIC SYSTEMS - (916) 885-2480

F122RO F122-R PALLETT CREEK @ VALYERMO HWY.

DAILY DISCHARGE IN CUBIC FEET PER SECOND WATER YEAR OCT 1996 TO SEP 1997

Day	OCT	NOV	DEC	JAN	FEB	MAR	APR	MAY	JUN	JUL	AUG	SEP
1	.20	.10	.10	.10	.20	.30	.20	.10	.10	.10	0	0
2	.20	.10	.10	.10	.30	.30	.20	.10	.10	.10	0	0
3	.20	.10	.10	.15	.30	.30	.20	.10	.10	.10	0	0
4	.10	.10	.10	.20	.30	.30	.20	.10	.10	.10	0	0
5	.10	.10	.10	.20	.30	.30	.20	.10	.10	.10	0	0
6	.10	.10	.10	.20	.30	.30	.20	.10	.10	.10	0	0
7	.10	.10	.10	.20	.30	.30	.20	.10	.10	.10	0	0
8	.10	.10	.10	.20	.30	.30	.20	.10	.10	.10	0	0
9	.10	.10	.10	.20	.40	.30	.20	.10	.10	.10	0	0
10	.10	.10	.10	.20	.40	.30	.20	.10	.10	.10	0	0
11	.10	.10	.10	.20	.40	.30	.20	.10	.10	.10	0	0
12	.10	.10	.10	.20	.40	.26	.20	.10	.10	.10	0	0
13	.10	.10	.10	.20	.40	.20	.20	.10	.10	.10	0	0
14	.10	.10	.10	.20	.40	.20	.20	.10	.10	.10	0	0
15	.10	.10	.10	.20	.35	.20	.20	.10	.10	.10	0	0
16	.10	.10	.10	.20	.30	.20	.20	.10	.10	.10	0	0
17	.10	.10	.10	.20	.30	.20	.20	.10	.10	.10	0	0
18	.10	.10	.10	.20	.30	.20	.20	.10	.10	.08	0	0
19	.10	.10	.10	.20	.30	.20	.20	.10	.10	0	0	0
20	.10	.10	.10	.20	.30	.20	.20	.10	.10	0	0	0
21	.10	.10	.10	.20	.25	.20	.20	.10	.10	0	0	0
22	.10	.10	.10	.20	.20	.20	.20	.10	.10	0	0	0
23	.10	.10	.10	.20	.20	.20	.20	.10	.10	0	0	0
24	.10	.10	.10	.20	.20	.20	.20	.10	.10	0	0	0
25	.10	.10	.10	.29	.20	.20	.20	.10	.10	0	0	0
26	.10	.10	.10	.30	.20	.20	.20	.10	.10	0	0	0
27	.10	.10	.10	.30	.20	.20	.20	.10	.10	0	0	0
28	.10	.10	.10	.25	.20	.20	.20	.10	.10	0	0	0
29	.10	.10	.10	.20	-----	.20	.20	.10	.10	0	0	0
30	.10	.10	.10	.20	-----	.20	.10	.10	.10	0	0	0
31	.10	-----	.10	.20	-----	.20	-----	.10	-----	0	0	-----
TOTAL	3.40	3.00	3.10	6.29	8.20	7.36	5.90	3.10	3.00	1.78	0	0
MEAN	.11	.10	.10	.20	.29	.24	.20	.10	.10	.057	0	0
MAX	.20	.10	.10	.30	.40	.30	.20	.10	.10	.10	0	0
MIN	.10	.10	.10	.10	.20	.20	.10	.10	.10	0	0	0
AC-FT	6.7	6.0	6.1	12	16	15	12	6.1	6.0	3.5	0	0
CAL YEAR 1996 TOTAL*		9.50	MEAN	.10	MAX	.20	MIN	.10	AC-FT	19		
WTR YEAR 1997 TOTAL		45.13	MEAN	.12	MAX	.40	MIN	0	AC-FT	90		

* Incomplete Record

RUNOFF – DAILY DISCHARGE

WESTERN HYDROLOGIC SYSTEMS - (916) 885-2480

F192RO F192B-R RIO HONDO BELOW LOWER AZUSA ROAD

DAILY DISCHARGE IN CUBIC FEET PER SECOND WATER YEAR OCT 1996 TO SEP 1997

Day	OCT	NOV	DEC	JAN	FEB	MAR	APR	MAY	JUN	JUL	AUG	SEP
1	0	125	0	.55	2.0	.06	0	0	0	122	.75	0
2	0	173	0	2.9	.70	0	0	0	0	221	.62	0
3	0	138	21	2.2	.28	0	0	0	0	234	.58	0
4	0	170	48	.28	.02	0	0	0	0	224	.34	0
5	0	55	53	.31	0	0	0	0	0	173	.16	0
6	0	0	58	.22	0	0	0	0	0	104	.09	0
7	0	0	63	.09	0	0	0	0	0	63	.08	0
8	0	0	64	.10	0	0	0	0	0	119	.03	0
9	0	0	65	.12	0	0	0	0	0	163	0	0
10	0	0	8.4	.08	.58	0	0	0	0	195	0	0
11	0	0	15	.08	.08	0	0	0	0	233	0	0
12	0	0	1.8	7.1	0	0	0	0	0	203	0	0
13	0	0	0	2.7	0	0	0	0	0	158	0	0
14	0	0	0	.86	0	0	0	0	0	99	0	0
15	0	0	0	11	0	0	0	0	0	149	0	16
16	0	0	0	.20	0	0	0	0	0	180	0	0
17	0	0	.14	.11	0	0	0	0	0	228	0	0
18	0	0	.24	.08	0	0	0	0	0	250	0	0
19	0	0	.24	.03	0	0	0	0	0	208	0	0
20	0	0	.19	.13	0	0	0	0	0	155	0	0
21	0	24	.16	1.1	0	0	0	0	0	94	0	0
22	0	4.3	4.5	.75	0	0	0	0	0	144	0	0
23	0	.52	.28	5.1	0	0	0	0	0	90	0	0
24	0	.48	.24	.16	0	0	0	0	.01	.48	0	0
25	0	.43	.24	13	.29	0	0	0	12	.40	0	7.2
26	0	.36	.24	217	.55	0	0	0	37	.40	0	0
27	0	.06	3.8	31	.88	0	0	0	39	.40	0	0
28	0	0	.88	12	.58	0	0	0	40	.37	0	0
29	0	0	.28	12	-----	0	0	0	36	.38	0	0
30	44	0	.24	10	-----	0	0	0	58	77	0	0
31	100	-----	.24	3.1	-----	0	-----	0	-----	28	0	-----
TOTAL	144	691.15	409.11	334.35	5.96	0.06	0	0	222.01	3,916.43	2.65	23.2
MEAN	4.65	23.0	13.2	10.8	.21	.002	0	0	7.40	126	.085	.77
MAX	100	173	65	217	2.0	.06	0	0	58	250	.75	16
MIN	0	0	0	.03	0	0	0	0	0	.37	0	0
AC-FT	286	1,370	811	663	12	.1	0	0	440	7,770	5.3	46
CAL YEAR 1996	TOTAL*	1,244.26	MEAN	13.5	MAX	173	MIN	0	AC-FT	2,470		
WTR YEAR 1997	TOTAL	5,748.92	MEAN	15.8	MAX	250	MIN	0	AC-FT	11,400		

* Incomplete Record
As of 10/06/97. E.E.

RUNOFF – DAILY DISCHARGE

WESTERN HYDROLOGIC SYSTEMS - (916) 885-2480

0F45RO

F45B-R RIO HONDO CH ABOVE STEWART AND GRAY

DAILY DISCHARGE IN CUBIC FEET PER SECOND WATER YEAR OCT 1996 TO SEP 1997

Day	OCT	NOV	DEC	JAN	FEB	MAR	APR	MAY	JUN	JUL	AUG	SEP
1	1.3	2.6	4.8	11	6.8	4.6	1.9	3.0	18	2.2	2.4	.17
2	1.9	1.7	3.8	39	6.6	4.7	1.6	2.8	18	2.4	2.2	.18
3	1.5	1.9	.99	20	6.3	5.6	1.3	3.2	14	3.3	2.7	.85
4	.91	1.9	.87	6.9	6.2	5.6	2.0	2.0	5.8	2.4	2.4	.67
5	1.5	1.9	4.1	6.5	5.4	5.4	2.4	1.9	4.4	3.5	4.4	.96
6	.68	1.5	14	2.6	7.6	4.4	2.2	2.1	4.2	2.9	3.3	1.9
7	.68	1.0	3.6	5.7	5.0	5.8	3.1	1.7	3.0	2.9	.81	1.4
8	.80	2.5	4.4	5.9	3.3	4.7	2.0	1.9	3.9	3.7	.71	1.3
9	.85	1.9	201	2.3	4.0	4.9	2.1	2.3	2.9	6.4	.71	.29
10	1.1	2.4	108	2.4	4.7	4.8	1.9	1.7	3.0	5.4	.94	.10
11	.84	1.9	524	1.8	11	4.5	3.8	2.2	3.5	3.5	.53	.10
12	.68	2.2	42	114	4.5	4.7	2.0	2.2	2.9	2.6	1.6	.28
13	.68	4.1	9.8	140	4.5	4.3	1.5	3.3	8.3	2.5	.28	.08
14	.88	4.1	10	30	2.6	5.5	1.6	3.6	2.5	3.5	.40	.08
15	.88	3.1	1.7	353	4.3	4.3	4.1	4.5	1.4	3.2	.48	2.6
16	.75	1.4	5.7	41	4.3	3.0	6.0	5.7	1.2	3.7	.30	.35
17	.68	2.4	1.2	8.4	4.4	3.7	5.8	4.6	2.6	3.2	.22	.16
18	.79	2.5	.83	6.6	3.6	3.3	3.7	3.2	1.7	4.0	.17	.34
19	.68	2.8	.63	6.5	5.1	3.0	3.6	5.5	1.6	2.7	.17	.10
20	.42	2.4	3.7	12	4.6	2.5	2.2	6.5	2.2	4.1	.17	.09
21	.30	381	9.1	13	8.2	3.3	2.3	5.5	2.1	5.6	.25	.07
22	.31	138	60	16	5.5	2.7	4.9	4.3	1.1	4.0	.74	.10
23	.29	8.6	10	659	4.6	2.6	5.2	5.1	1.2	3.3	.48	.17
24	.48	3.3	2.1	9.6	4.6	3.2	2.1	4.3	2.0	2.8	.17	.59
25	.52	15	1.5	1,690	4.2	3.0	1.8	2.5	1.1	2.8	.23	3.3
26	.22	5.9	13	3,420	5.2	2.1	1.9	2.7	1.8	2.5	.25	5.0
27	.23	15	15	513	6.4	2.2	1.3	5.8	2.1	2.5	.38	.35
28	.25	3.8	15	8.8	5.5	2.2	2.3	6.6	1.1	2.4	.36	.26
29	.26	3.3	8.2	7.5	-----	2.0	3.2	11	.91	2.5	.22	.18
30	1,490	5.1	9.2	8.3	-----	2.0	2.9	13	1.5	2.7	.22	.25
31	48	-----	4.9	7.5	-----	2.7	-----	13	-----	2.4	.22	-----
TOTAL	1,559.36	625.2	1,093.12	7,168.3	149.0	117.3	82.7	137.7	120.01	101.6	28.41	22.27
MEAN	50.3	20.8	35.3	231	5.32	3.78	2.76	4.44	4.00	3.28	.92	.74
MAX	1,490	381	524	3,420	11	5.8	6.0	13	18	6.4	4.4	5.0
MIN	.22	1.0	.63	1.8	2.6	2.0	1.3	1.7	.91	2.2	.17	.07
AC-FT	3,090	1,240	2,170	14,220	296	233	164	273	238	202	56	44

CAL YEAR 1996 TOTAL* 3,277.68 MEAN 35.6 MAX 1,490 MIN .22 AC-FT 6,500
WTR YEAR 1997 TOTAL 11,204.97 MEAN 30.7 MAX 3,420 MIN .07 AC-FT 22,230

* Incomplete Record Steven AxSys. Data 96-97
As Of 10-09-97 by Soo Khoo

RUNOFF – DAILY DISCHARGE

WESTERN HYDROLOGIC SYSTEMS - (916) 885-2480

F338RO F338-R RUBIO DIVERSION CHANNEL

DAILY DISCHARGE IN CUBIC FEET PER SECOND WATER YEAR OCT 1996 TO SEP 1997

Day	OCT	NOV	DEC	JAN	FEB	MAR	APR	MAY	JUN	JUL	AUG	SEP
1	0	.11	.20	1.3	2.9	1.2	.60	.60	.02	.30	1.0	.40
2	0	0	.17	3.1	2.8	1.5	.40	.40	.35	.55	1.0	.18
3	0	0	0	4.0	2.7	1.8	.20	.40	.20	.79	.59	0
4	.07	0	0	2.6	2.0	1.1	.20	.40	.20	.13	.27	0
5	.19	.02	.12	1.4	2.0	.60	.60	.40	.20	.62	.90	0
6	.20	.12	.31	1.1	1.9	1.1	.80	.36	.20	1.2	.63	.10
7	.31	.04	.20	1.0	2.4	1.4	.80	.16	.22	.95	.05	.34
8	.21	.02	.20	1.2	2.1	1.4	.60	.08	.21	.30	0	.24
9	0	.02	2.0	.87	2.4	1.4	.80	.03	.31	.21	.06	0
10	0	.07	2.2	.25	4.0	1.0	1.0	.38	.32	.14	.65	0
11	0	.16	2.7	.28	3.9	.85	1.0	.61	.45	.06	.61	0
12	0	.20	1.6	2.4	3.5	1.0	1.0	.26	.64	.53	0	0
13	.06	.21	1.0	2.2	3.3	1.4	.80	0	1.5	1.0	0	.04
14	.17	.21	1.0	1.6	3.0	1.2	1.2	0	1.2	1.0	.19	.22
15	.06	.11	1.0	3.1	3.0	1.2	.40	0	1.2	1.0	.14	.22
16	.08	0	.97	3.0	2.8	.80	.60	.15	.76	1.0	.36	.28
17	0	0	.95	1.8	2.9	.82	.40	.54	.20	.95	.78	0
18	.07	0	.73	1.6	2.3	1.9	.60	.57	.20	.73	.29	.05
19	0	0	.02	1.6	2.0	2.3	.60	.22	.20	.25	0	0
20	0	.05	.03	2.1	2.4	.89	.60	0	.52	.13	0	.08
21	0	2.9	0	2.0	2.3	.82	1.4	0	.80	.04	0	.23
22	0	.83	1.9	1.9	2.5	2.2	.80	0	.80	.07	0	.20
23	0	.19	.52	3.0	2.6	3.6	.60	0	.48	.42	.11	.03
24	0	.14	.35	2.4	2.1	2.1	.60	.26	0	.76	.35	0
25	0	.15	.60	2.4	1.3	.83	.60	.29	.15	1.0	.17	2.0
26	.03	.18	.70	2.4	1.4	.95	.40	.38	.14	.93	0	.40
27	.01	.18	2.0	3.8	1.2	3.7	.80	.25	.55	.11	0	.38
28	.26	.20	1.3	4.0	1.0	5.8	.80	0	1.2	.19	0	.22
29	.41	.20	.80	4.0	-----	5.0	1.0	0	1.2	.22	0	0
30	1.5	.20	.81	3.8	-----	1.4	.80	0	.82	.03	.06	0
31	.20	-----	.90	3.3	-----	4.9	-----	.03	-----	.61	.39	-----
TOTAL	3.83	6.51	25.28	69.50	68.7	56.16	21.00	6.77	15.24	16.22	8.60	5.61
MEAN	.12	.22	.82	2.24	2.45	1.81	.70	.22	.51	.52	.28	.19
MAX	1.5	2.9	2.7	4.0	4.0	5.8	1.4	.61	1.5	1.2	1.0	2.0
MIN	0	0	0	.25	1.0	.60	.20	0	0	.03	0	0
AC-FT	7.6	13	50	138	136	111	42	13	30	32	17	11
CAL YEAR 1996	TOTAL*	35.62	MEAN	.39	MAX	2.9	MIN	0	AC-FT	71		
WTR YEAR 1997	TOTAL	303.42	MEAN	.83	MAX	5.8	MIN	0	AC-FT	602		

* Incomplete Record

RUNOFF – DAILY DISCHARGE

WESTERN HYDROLOGIC SYSTEMS - (916) 885-2480

0F82RO F82C-R RUBIO WASH @ GLENDON WAY

DAILY DISCHARGE IN CUBIC FEET PER SECOND WATER YEAR OCT 1996 TO SEP 1997

Day	OCT	NOV	DEC	JAN	FEB	MAR	APR	MAY	JUN	JUL	AUG	SEP
1	.39	0	1.7	2.2	.23	.41	.45	.68	.46	.48	.02	0
2	.65	0	3.4	19	.22	.41	.37	.68	.61	.54	.02	.01
3	.66	0	2.4	18	1.0	1.2	.38	.48	.50	.46	.05	.04
4	.95	.18	.23	3.2	.62	1.1	.40	.50	.41	.43	.14	0
5	1.5	.25	.94	4.9	.27	.82	.43	.58	.45	.33	.02	.03
6	.80	.84	4.4	1.5	.25	.31	.49	.62	.29	.21	.24	0
7	.75	2.0	3.2	.69	.32	.33	.42	.84	.30	.53	.15	0
8	.54	.22	3.2	.39	.28	.44	.38	1.1	.18	.72	.15	.17
9	.74	.25	156	.28	.29	.33	.19	.64	.13	.54	.08	.25
10	.99	1.2	85	.37	4.5	.57	.16	.68	.16	.43	.03	.35
11	.83	1.8	86	.54	1.6	.45	.36	.54	.27	.46	.25	.29
12	.45	.31	7.1	79	.80	.33	.49	.72	.26	.29	.32	.32
13	.46	1.6	4.9	37	1.3	.52	.29	.73	2.7	.24	.26	.25
14	.49	3.2	4.8	4.2	.89	.56	.39	.76	.10	.36	.07	.18
15	.52	2.0	4.9	86	.13	.67	.34	.79	0	.49	.06	1.5
16	.87	.31	2.9	1.2	.15	.41	.31	.64	0	.44	.03	1.6
17	.56	1.6	.03	.16	2.5	.53	.50	.70	.24	.46	.02	1.6
18	.48	2.0	.01	.13	1.7	.58	.70	.52	.22	.48	.06	1.5
19	.67	1.2	.02	.12	1.0	.31	.51	.52	.44	.36	.04	1.5
20	1.9	2.5	2.0	18	1.3	.31	.43	.75	.48	.19	.04	1.5
21	1.3	132	5.5	7.5	.41	.38	.53	.81	.20	.30	.24	1.5
22	.12	28	50	11	.22	.44	.83	.69	.18	.67	.04	1.6
23	.20	3.8	1.6	56	.13	.39	1.3	.70	.28	1.2	.07	1.4
24	.26	3.6	3.3	.51	.37	.37	1.4	.59	.45	.29	0	1.6
25	.09	2.2	1.4	79	.82	.48	1.4	.30	.41	.01	.15	54
26	.09	1.0	.69	60	1.1	.58	.44	.28	.43	.02	.07	1.9
27	0	.18	13	1.3	6.5	.55	.34	.47	.53	.04	0	1.6
28	0	.21	4.6	.86	.57	.61	2.3	.54	.49	.27	.13	1.5
29	0	.08	.41	.84	-----	.42	.89	.72	.20	.12	.05	1.8
30	57	.16	.60	.92	-----	.34	.71	.69	.31	.03	0	1.6
31	.36	-----	.26	.84	-----	.48	-----	.53	-----	.04	0	-----
TOTAL	74.62	192.69	454.49	495.65	29.47	15.63	18.13	19.79	11.68	11.43	2.80	79.59
MEAN	2.41	6.42	14.7	16.0	1.05	.50	.60	.64	.39	.37	.090	2.65
MAX	57	132	156	86	6.5	1.2	2.3	1.1	2.7	1.2	.32	54
MIN	0	0	.01	.12	.13	.31	.16	.28	0	.01	0	0
AC-FT	148	382	901	983	58	31	36	39	23	23	5.6	158
CAL YEAR 1996	TOTAL*	721.80	MEAN	7.85	MAX	156	MIN	0	AC-FT	1,430		
WTR YEAR 1997	TOTAL	1,405.97	MEAN	3.85	MAX	156	MIN	0	AC-FT	2,790		

* Incomplete Record
As of 10/07/97.E.E.

RUNOFF – DAILY DISCHARGE

WESTERN HYDROLOGIC SYSTEMS - (916) 885-2480

0F42RO F42B-R SAN GABRIEL RIVER ABOVE SPRING

DAILY DISCHARGE IN CUBIC FEET PER SECOND WATER YEAR OCT 1996 TO SEP 1997

Day	OCT	NOV	DEC	JAN	FEB	MAR	APR	MAY	JUN	JUL	AUG	SEP
1	62	150	125	110	123	117	66	69	200	193	222	216
2	57	157	118	136	123	118	71	75	205	185	211	172
3	96	149	119	212	122	115	70	83	211	182	193	124
4	171	152	124	154	113	116	76	79	201	171	198	113
5	100	146	129	120	120	112	80	76	186	147	192	112
6	64	152	140	112	129	116	80	73	167	140	176	105
7	56	157	131	104	140	121	73	90	143	139	165	111
8	114	144	125	118	143	118	69	108	126	124	136	118
9		154	430	122	147	117	77	115	133	123	111	125
10		147	225	119	143	119	73	123	123	124	98	125
11		154	738	116	138	96	70	119	116	122	98	134
12		156	310	220	124	130	75	126	133	119	100	143
13		155	124	210	121	128	67	120	143	116	105	141
14		159	128	123	120	126	65	120	141	118	112	144
15		152	121	441	120	126	65	121	138	126	107	170
16		154	115	167	114	124	58	125	148	133	103	182
17		162	109	156	111	125	65	125	153	135	108	184
18		163	110	128	106	127	68	126	159	144	131	190
19		164	109	107	104	126	68	128	158	152	133	203
20		162	110	114	112	95	65	132	180	152	142	235
21		423	106	126	116	58	67	133	175	166	149	234
22		472	137	115	115	59	69	134	174	168	161	211
23		131	121	437	111	58	67	139	188	158	168	189
24		110	118	158	115	59	67	138	203	167	181	170
25		124	103	329	113	58	69	136	213	179	193	195
26		125	110	520	114	60	69	150	211	185	203	178
27		122	248	240	113	61	69	169	214	177	207	64
28		131	236	180	113	64	70	176	207	204	241	51
29	206	110	113	119	-----	67	72	189	192	211	252	63
30	495	121	109	120	-----	68	70	200	203	224	251	74
31	248	-----	116	123	-----	69	-----	193	-----	223	232	-----
TOTAL	1,669	4,958	5,157	5,556	3,383	3,053	2,090	3,890	5,144	4,907	5,079	4,476
MEAN	152	165	166	179	121	98.5	69.7	125	171	158	164	149
MAX	495	472	738	520	147	130	80	200	214	224	252	235
MIN	56	110	103	104	104	58	58	69	116	116	98	51
AC-FT	3,310	9,830	10,230	11,020	6,710	6,060	4,150	7,720	10,200	9,730	10,070	8,880
*												
CAL YEAR 1996	TOTAL*	11,784	MEAN	164	MAX	738	MIN	56	AC-FT	23,370		
WTR YEAR 1997	TOTAL*	49,362	MEAN	143	MAX	738	MIN	51	AC-FT	97,910		

* Incomplete Record As of 10/16/97. RV.

Remarks: During the period Oct.9,1996 - Oct.28,1996,Axys Logger and Encoder malfunctioned. No data available.

RUNOFF – DAILY DISCHARGE

WESTERN HYDROLOGIC SYSTEMS - (916) 885-2480

00U8RO U8-R SAN GABRIEL RIVER BELOW MORRIS DAM

DAILY DISCHARGE IN CUBIC FEET PER SECOND WATER YEAR OCT 1996 TO SEP 1997

Day	OCT	NOV	DEC	JAN	FEB	MAR	APR	MAY	JUN	JUL	AUG	SEP
1	1.4	.93	.34	187	551	1.7	.92	.83	1.1	484	460	.61
2	1.4	.92	119	187	696	1.7	.91	.81	1.2	490	460	.59
3	1.3	.80	209	83	214	1.8	1.1	.71	1.0	306	464	.62
4	1.2	.63	210	1.7	279	1.8	1.1	.65	.92	17	463	.67
5	1.2	.56	208	1.5	315	2.1	1.1	.62	1.2	17	178	.68
6	1.2	.80	207	.99	315	2.5	1.0	.68	1.3	17	124	.67
7	1.1	.58	205	.86	315	2.9	1.0	.69	1.4	343	192	.66
8	1.1	.38	129	1.2	315	3.4	.97	.71	1.4	507	187	117
9	.98	.37	2.0	1.5	315	3.8	.97	.71	1.4	497	187	197
10	157	.37	1.5	1.5	290	4.1	.91	.71	11	496	185	195
11	129	.37	4.6	1.5	102	4.5	.91	.71	2.3	315	192	83
12	129	.37	1.5	3.0	2.8	4.9	.95	.71	2.2	16	187	.82
13	128	2.4	.77	3.4	1.9	5.3	.87	.72	2.8	16	186	.73
14	124	38	.50	2.6	1.8	5.8	.83	.78	2.6	327	71	.67
15	61	6.2	.40	3.7	1.9	6.3	.83	.73	2.8	490	.52	.95
16	1.7	4.0	85	3.2	1.9	6.7	.83	.72	118	481	.61	89
17	.98	2.2	185	2.8	2.0	7.1	.83	.82	183	477	.62	192
18	.93	1.3	184	2.6	1.8	114	.83	.83	184	222	115	192
19	.89	1.4	184	2.5	1.8	196	.92	.82	187	13	191	191
20	.83	1.5	184	2.7	1.9	87	.90	.79	112	13	195	192
21	.75	3.3	185	150	1.9	6.4	.87	.72	.86	328	194	191
22	.73	3.9	111	312	1.9	5.6	.83	.78	.61	495	194	191
23	31	1.5	.80	313	1.9	5.2	.79	.79	216	493	194	191
24	128	1.1	.46	312	1.8	4.8	.81	.78	408	493	194	18
25	173	1.1	.42	145	1.8	4.4	.80	.71	413	229	192	1.5
26	146	.66	.40	8.6	1.9	4.1	.80	.71	413	13	194	.64
27	131	.57	83	137	2.2	3.8	.80	.71	259	13	73	.46
28	126	.56	187	500	1.8	3.5	.83	.71	2.9	283	.55	.42
29	49	.56	185	560	-----	3.2	.83	.93	3.6	484	.49	.41
30	2.8	.78	185	557	-----	2.8	.83	1.2	334	488	.65	147
31	1.2	-----	187	553	-----	2.6	-----	1.1	-----	441	.66	-----
TOTAL	1,630.71	78.11	3,245.69	4,041.85	3,740.0	509.8	26.87	23.89	2,869.59	9,304	5,276.10	2,197.10
MEAN	52.6	2.60	105	130	134	16.4	.90	.77	95.7	300	170	73.2
MAX	173	38	210	560	696	196	1.1	1.2	413	507	464	197
MIN	.73	.37	.34	.86	1.8	1.7	.79	.62	.61	13	.49	.41
AC-FT	3,230	155	6,440	8,020	7,420	1,010	53	47	5,690	18,450	10,470	4,360
CAL YEAR 1996	TOTAL*	4,954.51	MEAN	53.9	MAX	210	MIN	.34	AC-FT	9,830		
WTR YEAR 1997	TOTAL	32,943.71	MEAN	90.3	MAX	696	MIN	.34	AC-FT	65,340		

* Incomplete Record
As of 10/28/97

MB

RUNOFF – DAILY DISCHARGE

WESTERN HYDROLOGIC SYSTEMS - (916) 885-2480

F261RO F261C-R SAN GABRIEL RIVER @ VALLEY

DAILY DISCHARGE IN CUBIC FEET PER SECOND WATER YEAR OCT 1996 TO SEP 1997

Day	OCT	NOV	DEC	JAN	FEB	MAR	APR	MAY	JUN	JUL	AUG	SEP
1		0	0	7,360	30,000	1,600	1,600	1,600	1,600	1,600	1,600	1,600
2	0	0	0	8,330	29,800	1,600	1,600	1,600	1,590	1,600	1,600	1,600
3	0	0	0	28,600	29,600	1,600	1,600	1,600	1,600	1,600	1,600	1,600
4	0	0	0	18,900	25,900	1,600	1,600	1,600	1,600	1,600	1,600	1,600
5	0	0	0	11,200	16,300	1,600	1,600	1,600	1,600	1,600	1,600	1,600
6	0	0	0	5,180	8,670	1,600	1,600	1,600	1,600	1,020	1,600	1,600
7	0	0	0	1,970	4,420	1,600	1,600	1,600	1,600	1,600	1,600	1,600
8	0	0	0	1,860	3,990	1,600	1,600	1,600	1,600	1,600	1,600	1,600
9	0	0	251	1,860	3,990	1,600	1,600	1,600	1,600	1,600	1,600	1,600
10	0	0	1,850	1,860	3,990	1,600	1,600	1,600	1,600	1,600	1,600	1,600
Invalid Data Due to Inflated Rubber Dam.												
11	0	0	2,220	1,860	3,990	1,600	1,600	1,600	1,600	1,600	1,600	1,600
12	0	0	2,030	10,300	1,960	1,600	1,600	1,600	1,600	1,600	1,600	1,600
13	0	0	2,160	27,000	.20	1,600	1,600	1,600	1,600	1,600	1,600	1,600
14	0	0	2,280	26,300	.20	1,600	1,600	1,600	1,600	1,600	1,600	1,600
15	0	0	2,280	27,300	.20	1,600	1,600	1,600	1,600	1,600	1,600	1,600
16	0	0	2,190	25,900	.20	1,600	1,600	1,600	1,600	1,600	1,600	1,600
17	0	0	1,850	23,800	.20	1,600	1,600	1,600	1,600	1,600	1,600	1,600
18	0	0	1,560	24,800	.20	1,600	1,600	1,600	1,600	1,600	1,600	1,600
19	0	0	13,600	25,300	32	1,600	1,600	1,600	1,600	1,600	1,600	1,600
20	0	0	11,100	25,300	0	1,600	1,600	1,600	1,600	1,600	1,600	1,600
21	0	0	3,880	24,600	0	1,600	1,600	1,600	1,600	1,600	1,600	1,600
22	0	1,570	9,570	24,800	0	1,600	1,600	1,600	1,600	1,600	1,600	1,600
23	0	1,530	17,600	26,000	0	1,600	1,600	1,600	1,600	1,600	1,600	1,600
24	0	1,260	6,050	25,600	893	1,600	1,600	1,600	1,600	1,600	1,600	1,600
25	0	1,020	3,220	26,200	1,600	1,600	1,600	1,600	1,600	1,600	1,600	1,600
26	0	218	3,220	27,800	1,600	1,600	1,600	1,600	1,600	1,600	1,600	1,600
27	0	0	3,220	29,100	1,600	1,600	1,600	1,600	1,600	1,600	1,600	1,600
28	0	0	3,520	29,500	1,600	1,600	1,600	1,600	1,600	1,600	1,600	1,600
29	0	0	8,650	29,900	-----	1,600	1,600	1,600	1,600	1,600	1,600	1,600
30	0	0	14,600	30,300	-----	1,600	1,600	1,600	1,600	1,600	1,600	1,600
31	0	-----	13,900	30,300	-----	1,600	-----	1,600	-----	1,600	1,600	-----
TOTAL	0	5,598	130,801	609,080	169,936.20	49,600	48,000	49,600	47,990	49,020	49,600	48,000
MEAN	0	187	4,219	19,650	6,069	1,600	1,600	1,600	1,600	1,581	1,600	1,600
MAX	0	1,570	17,600	30,300	30,000	1,600	1,600	1,600	1,600	1,600	1,600	1,600
MIN	0	0	0	1,860	0	1,600	1,600	1,600	1,590	1,020	1,600	1,600
AC-FT	0	11,100	259,400	1,208,000	337,100	98,380	95,210	98,380	95,190	97,230	98,380	95,210
*												
CAL YEAR 1996	TOTAL*	136,399.00	MEAN	1,499	MAX	17,600	MIN	0	AC-FT	270,500		
WTR YEAR 1997	TOTAL*	1,257,225.20	MEAN	3,454	MAX	30,300	MIN	0	AC-FT	2,494,000		

* Incomplete Record

RUNOFF – DAILY DISCHARGE

WESTERN HYDROLOGIC SYSTEMS - (916) 885-2480

0G44RO G44B-R SAN GABRIEL RIVER AT WND.

DAILY DISCHARGE IN CUBIC FEET PER SECOND WATER YEAR OCT 1996 TO SEP 1997

Day	OCT	NOV	DEC	JAN	FEB	MAR	APR	MAY	JUN	JUL	AUG	SEP
1	0	0	0	0	0	0	0	0	0	0	0	0
2	0	0	0	0	0	0	0	0	0	0	0	0
3	0	0	0	180	0	0	0	0	0	0	0	0
4	0	0	0	0	0	0	0	0	0	0	0	0
5	0	0	0	0	0	0	0	0	0	0	0	0
6	0	0	0	0	0	0	0	0	0	0	0	0
7	0	0	0	0	0	0	0	0	0	0	0	0
8	0	0	0	0	0	0	0	0	0	0	0	0
9	0	0	934	0	0	0	0	0	0	0	0	0
10	0	0	5.9	0	.60	0	0	0	0	0	0	0
11	0	0	790	0	4.9	0	0	0	0	0	0	0
12	0	0	0	348	0	0	0	0	0	0	0	0
13	0	0	0	598	0	0	0	0	0	0	0	0
14	0	0	0	37	0	0	0	0	0	0	0	0
15	0	0	0	952	0	0	0	0	0	0	0	0
16	0	0	0	0	0	0	0	0	0	0	0	0
17	0	0	0	0	0	0	0	0	0	0	0	0
18	0	0	0	0	0	0	0	0	0	0	0	0
19	0	0	0	0	0	0	0	0	0	0	0	0
20	0	0	0	17	0	0	0	0	0	0	0	0
21	0	1,300	0	19	0	0	0	0	0	0	0	0
22	0	346	260	23	0	0	0	0	0	0	0	0
23	0	0	0	894	0	0	0	0	0	0	0	0
24	0	0	0	.69	0	0	0	0	0	0	0	0
25	0	0	0	1,040	0	0	0	0	0	0	0	51
26	0	0	0	2,300	0	0	0	0	0	0	0	0
27	0	0	242	124	0	0	0	0	0	0	0	0
28	0	0	37	0	0	0	0	0	0	0	0	0
29	0	0	0	0	-----	0	0	0	0	0	0	0
30	1,050	0	0	0	-----	0	0	0	0	0	0	0
31	0	-----	0	0	-----	0	-----	0	-----	0	0	-----
TOTAL	1,050	1,646	2,268.9	6,532.69	5.50	0	0	0	0	0	0	51
MEAN	33.9	54.9	73.2	211	.20	0	0	0	0	0	0	1.70
MAX	1,050	1,300	934	2,300	4.9	0	0	0	0	0	0	51
MIN	0	0	0	0	0	0	0	0	0	0	0	0
AC-FT	2,080	3,260	4,500	12,960	11	0	0	0	0	0	0	101
CAL YEAR 1996	TOTAL*	4,964.90	MEAN	54.0	MAX	1,300	MIN	0	AC-FT	9,850		
WTR YEAR 1997	TOTAL	11,554.09	MEAN	31.7	MAX	2,300	MIN	0	AC-FT	22,920		

* Incomplete Record STEVEN AXSYS DATA 96-97
AS OF 10-09-97 BY SOO KHOO

RUNOFF – DAILY DISCHARGE

WESTERN HYDROLOGIC SYSTEMS - (916) 885-2480

F263RO F263C-R SAN GABRIEL RIVER @ S.G. RIVER PARKWAY

DAILY DISCHARGE IN CUBIC FEET PER SECOND WATER YEAR OCT 1996 TO SEP 1997

Day	OCT	NOV	DEC	JAN	FEB	MAR	APR	MAY	JUN	JUL	AUG	SEP
1	71	5.8	.78	116	41		40	5.6	166	50	76	3.7
2	68	5.2	4.4	221	38		116	5.5	121	52	68	1.7
3	67	4.8	11	413	50		55	5.3	65	53	67	1.2
4	68	43	8.8	151	75		119	5.2	62	43	81	1.2
5	59	63	6.5	148	74		121	5.1	64	44	88	1.1
6	66	62	17	86	58		140	4.2	64	37	84	.93
7	74	62	7.2	13	47		100	3.1	72	41	87	1.1
8	69	65	6.8	11	41		20	3.0	77	48	87	1.1
9	65	65	613	37	29		20	137	63	44	83	1.2
10	76	68	380	19	35		106	162	62	40	84	1.2
11	80	71	1,210	20	133		105	164	57	46	49	.78
12	80	77	303	266	107		108	113	17	48	28	1.1
13	80	72	40	419	90		119	12	46	46	27	1.2
14	76	59	48	251	89		123	18	47	58	28	1.4
15	80	65	44	272	87		69	75	56	49	20	13
16	78	59	56	184	88		7.2	198	42	46	24	1.0
17	69	58	73	96	93		20	208	3.0	48	23	1.1
18	66	54	62	91	103		72	209	3.1	50	63	1.2
19	63	55	80	112	91		73	170	4.7	48	14	1.2
20	67	57	119	136	75		74	78	136	48	79	1.3
21	66	474	110	148	90		73	53	146	56	84	1.1
22	56	760	460	169	80		68	37	147	59	80	.91
23	54	70	118	251	74		47	42	99	75	74	1.1
24	53	44	81	189	75		7.3	50	5.5	73	73	.79
25	58	21	59	238	69		7.5	44	4.9	71	40	432
26	50	5.5	56	305	67		8.0	29	22	68	21	58
27	48	1.1	351	212	74		7.7	2.6	184	69	3.6	1.6
28	53	.89	414	133	68		7.1	2.6	153	73	5.0	2.2
29	56	.78	74	43	-----		7.0	22	69	67	20	8.7
30	126	.72	75	46	-----		6.8	151	58	69	9.0	14
31	32	-----	90	41	-----		-----	167	-----	75	8.4	-----
TOTAL	2,074	2,448.79	4,978.48	4,837	2,041		1,846.6	2,181.2	2,116.2	1,694	1,578.0	558.11
MEAN	66.9	81.6	161	156	72.9		61.6	70.4	70.5	54.6	50.9	18.6
MAX	126	760	1,210	419	133		140	209	184	75	88	432
MIN	32	.72	.78	11	29		6.8	2.6	3.0	37	3.6	.78
AC-FT	4,110	4,860	9,870	9,590	4,050		3,660	4,330	4,200	3,360	3,130	1,110
*												
CAL YEAR 1996	TOTAL*	9,501.27	MEAN	103	MAX	1,210	MIN	.72	AC-FT	18,850		
WTR YEAR 1997	TOTAL*	26,353.38	MEAN	78.9	MAX	1,210	MIN	.72	AC-FT	52,270		

* Incomplete Record

RUNOFF – DAILY DISCHARGE

WESTERN HYDROLOGIC SYSTEMS - (916) 885-2480

F262RO F262C-R SAN GABRIEL RIVER BELOW FLORENCE

DAILY DISCHARGE IN CUBIC FEET PER SECOND WATER YEAR OCT 1996 TO SEP 1997

Day	OCT	NOV	DEC	JAN	FEB	MAR	APR	MAY	JUN	JUL	AUG	SEP
1	0	0	0	0	0	0	0	0	0	0	0	0
2	0	0	0	0	0	0	0	0	0	0	0	0
3	0	0	0	55	0	0	0	0	0	0	0	0
4	0	0	0	8.7	0	0	0	0	0	0	0	0
5	0	0	0	0	0	0	0	0	0	0	0	0
6	0	0	0	0	0	0	0	0	0	0	0	0
7	0	0	0	0	0	0	0	0	0	0	0	0
8	0	0	0	0	0	0	0	0	0	0	0	0
9	0	0	0	0	0	0	0	0	0	0	0	0
10	0	0	60	0	0	0	0	0	0	0	0	0
11	0	0	291	0	0	0	0	0	0	0	0	0
12	0	0	101	0	0	0	0	0	0	0	0	0
13	0	0	0	0	0	0	0	0	0	0	0	0
14	0	0	0	.66	0	0	0	0	0	0	0	0
15	0	0	0	190	0	0	0	0	0	0	0	0
16	0	0	0	17	0	0	0	0	0	0	0	0
17	0	0	0	11	0	0	0	0	0	0	0	0
18	0	0	0	.03	0	0	0	0	0	0	0	0
19	0	0	0	0	0	0	0	0	0	0	0	0
20	0	0	0	0	0	0	0	0	0	0	0	0
21	0	.49	0	.31	0	0	0	0	0	0	0	0
22	0	220	0	.87	0	0	0	0	0	0	0	0
23	0	0	0	134	0	0	0	0	0	0	0	0
24	0	0	0	14	0	0	0	0	0	0	0	0
25	0	0	0	107	0	0	0	0	0	0	0	20
26	0	0	0	178	0	0	0	0	0	0	0	57
27	0	0	0	139	0	0	0	0	0	0	0	.02
28	0	0	25	104	0	0	0	0	0	0	0	0
29	0	0	.46	2.4	-----	0	0	0	0	0	0	0
30	103	0	0	0	-----	0	0	0	0	0	0	0
31	28	-----	0	0	-----	0	-----	0	-----	0	0	-----
TOTAL	131	220.49	477.46	961.97	0	0	0	0	0	0	0	77.02
MEAN	4.23	7.35	15.4	31.0	0	0	0	0	0	0	0	2.57
MAX	103	220	291	190	0	0	0	0	0	0	0	57
MIN	0	0	0	0	0	0	0	0	0	0	0	0
AC-FT	260	437	947	1,910	0	0	0	0	0	0	0	153
CAL YEAR 1996	TOTAL*	828.95	MEAN	9.01	MAX	291	MIN	0	AC-FT	1,640		
WTR YEAR 1997	TOTAL	1,867.94	MEAN	5.12	MAX	291	MIN	0	AC-FT	3,710		

* Incomplete Record

RUNOFF – DAILY DISCHARGE

WESTERN HYDROLOGIC SYSTEMS - (916) 885-2480

F190RO F190-R SAN GABRIEL RIVER @ FOOTHILL BLVD.

DAILY DISCHARGE IN CUBIC FEET PER SECOND WATER YEAR OCT 1996 TO SEP 1997

Day	OCT	NOV	DEC	JAN	FEB	MAR	APR	MAY	JUN	JUL	AUG	SEP
1	1.6	0	0	196	452	.27	0	0	0	375	311	0
2	1.1	0	11	173	563	0	0	0	0	396	310	0
3	.97	0	146	106	192	.33	0	0	0	287	310	0
4	.81	0	149	6.9	241	0	0	0	0	0	310	0
5	.73	0	142	5.7	270	0	0	0	0	0	140	0
6	.52	0	141	4.6	267	0	.97	0	0	0	11	0
7	.10	0	150	2.6	267	0	1.9	0	0	68	78	0
8	0	0	136	3.0	267	0	1.2	0	0	367	68	2.2
9	11	0	8.6	4.9	269	0	.04	0	0	401	64	70
10	120	0	13	5.1	249	0	0	0	0	403	61	79
11	90	0	118	10	106	0	0	0	0	301	66	60
12	100	0	15	35	9.0	0	0	0	0	1.3	59	0
13	96	0	5.3	51	5.6	0	0	0	0	0	53	0
14	91	0	.43	19	4.8	0	0	0	0	144	27	0
15	73	0	0	0	4.1	0	0	0	0	392	0	0
16	3.9	0	7.3	0	3.4	0	0	0	0	399	0	2.0
17	.03	0	126	0	3.2	1.6	1.9	0	52	401	0	70
18	0	0	158	0	2.9	36	.85	0	75	218	2.2	71
19	0	0	168	0	2.5	189	0	0	79	.71	60	74
20	0	0	155	0	2.5	127	0	0	63	0	72	75
21	0	2.8	111	110	2.1	4.8	0	0	.06	119	70	75
22	0	3.8	150	280	1.9	1.9	0	0	0	424	70	75
23	0	.20	7.4	320	1.6	.49	0	0	28	363	70	75
24	24	0	.21	316	1.3	0	0	0	301	319	68	41
25	128	0	0	175	1.2	0	0	0	318	164	68	0
26	102	0	0	90	1.1	0	0	0	318	.23	67	0
27	77	0	20	180	1.3	0	0	0	242	0	37	0
28	79	0	162	515	.86	0	0	0	.39	62	.06	0
29	50	0	150	560	-----	0	0	0	0	305	0	0
30	7.2	0	148	542	-----	0	0	0	97	311	0	1.6
31	1.5	-----	140	536	-----	0	-----	0	-----	309	0	-----
TOTAL	1,059.46	6.80	2,538.24	4,246.8	3,192.36	361.39	6.86	0	1,573.45	6,530.24	2,452.26	770.8
MEAN	34.2	.23	81.9	137	114	11.7	.23	0	52.4	211	79.1	25.7
MAX	128	3.8	168	560	563	189	1.9	0	318	424	311	79
MIN	0	0	0	0	.86	0	0	0	0	0	0	0
AC-FT	2,100	13	5,030	8,420	6,330	717	14	0	3,120	12,950	4,860	1,530
CAL YEAR 1996 TOTAL*		3,604.50	MEAN	39.2	MAX	168	MIN	0	AC-FT	7,150		
WTR YEAR 1997 TOTAL		22,738.66	MEAN	62.3	MAX	563	MIN	0	AC-FT	45,100		

* Incomplete Record Missig Data from 9/11 to 9/30, due to power shortage. Data for that period were hand feed

Data as up 10/29/97 MB

RUNOFF – DAILY DISCHARGE

WESTERN HYDROLOGIC SYSTEMS - (916) 885-2480

F312RO F312B-R SAN JOSE CHANNEL BELOW SEVENTH STREET

DAILY DISCHARGE IN CUBIC FEET PER SECOND WATER YEAR OCT 1996 TO SEP 1997

Day	OCT	NOV	DEC	JAN	FEB	MAR	APR	MAY	JUN	JUL	AUG	SEP
1	16	23	20	63	43	25	16	19	28	2.4	16	14
2	20	23	19	132	41	27	17	20	23	3.1	16	15
3	25	21	16	51	41	24	15	20	19	3.2	17	14
4	24	22	17	45	39	21	22	18	19	3.5	14	18
5	25	14	19	66	42	24	26	16	19	4.3	12	17
6	30	16	99	33	40	16	26	17	19	4.7	12	17
7	22	16	22	31	43	19	24	16	21	6.0	13	22
8	15	14	25	34	40	25	20	16	21	4.1	12	16
9	18	16	651	34	40	27	23	18	17	5.6	13	14
10	21	17	307	36	94	21	19	22	16	7.7	16	13
11	21	15	692	36	52	18	22	21	14	8.2	15	14
12	25	15	127	402	40	18	26	17	14	8.5	14	12
13	28	16	36	229	37	22	25	14	21	9.9	15	16
14	20	14	36	184	38	21	15	13	9.7	9.5	15	16
15	24	19	37	115	37	31	14	14	11	8.8	14	51
16	24	13	36	150	37	35	9.4	14	9.4	8.5	16	12
17	27	17	23	58	40	42	11	14	9.3	7.3	16	18
18	27	18	23	35	44	26	11	18	9.1	7.2	15	13
19	27	14	24	35	36	29	9.2	16	9.1	7.9	13	14
20	30	16	26	35	34	14	12	15	9.2	11	12	13
21	25	319	28	51	29	16	17	15	9.2	12	12	15
22	27	216	409	137	36	20	15	19	10	15	12	14
23	29	27	32	245	37	28	13	20	9.7	16	14	12
24	25	23	18	236	30	27	13	21	6.2	17	13	11
25	25	21	24	868	28	21	15	20	3.2	15	15	288
26	28	22	24	497	31	20	15	27	2.6	17	13	19
27	36	19	319	72	46	22	20	31	1.8	20	13	20
28	40	21	54	53	30	18	18	28	4.8	16	11	25
29	41	19	35	48	-----	29	16	26	4.7	18	13	16
30	711	20	34	45	-----	27	18	21	2.8	21	13	18
31	15	-----	35	45	-----	19	-----	17	-----	19	14	-----
TOTAL	1,471	1,046	3,267	4,101	1,125	732	522.6	583	372.8	317.4	429	777
MEAN	47.5	34.9	105	132	40.2	23.6	17.4	18.8	12.4	10.2	13.8	25.9
MAX	711	319	692	868	94	42	26	31	28	21	17	288
MIN	15	13	16	31	28	14	9.2	13	1.8	2.4	11	11
AC-FT	2,920	2,070	6,480	8,130	2,230	1,450	1,040	1,160	739	630	851	1,540
CAL YEAR 1996 TOTAL*		5,784.0	MEAN	62.9	MAX	711	MIN	13	AC-FT	11,470		
WTR YEAR 1997 TOTAL		14,743.8	MEAN	40.4	MAX	868	MIN	1.8	AC-FT	29,240		

* Incomplete Record

RUNOFF – DAILY DISCHARGE

WESTERN HYDROLOGIC SYSTEMS - (916) 885-2480

F119RO F119-R SANTA ANITA CREEK BELOW DAM

DAILY DISCHARGE IN CUBIC FEET PER SECOND WATER YEAR OCT 1996 TO SEP 1997

Day	OCT	NOV	DEC	JAN	FEB	MAR	APR	MAY	JUN	JUL	AUG	SEP
1	10	.62	.62	13	42	.62	13	1.2	0	15	0	1.2
2	10	.62	.62	13	41	.62	12	1.2	7.3	15	0	1.2
3	5.7	.62	.62	13	24	9.6	7.8	1.2	10	9.4	0	1.2
4	.62	.62	.62	13	24	14	1.2	1.2	3.3	.62	0	1.2
5	.62	.62	.62	13	14	14	1.2	1.2	.31	.62	.68	1.2
6	.62	.62	.91	23	17	7.6	1.2	1.2	.31	.78	.79	1.0
7	.62	.62	.93	28	19	.62	7.7	1.3	.31	13	.62	.82
8	.62	.62	.93	28	18	.62	10	1.6	.31	17	.62	.62
9	.62	.62	1.3	25	18	.62	9.9	1.6	.31	16	.62	.62
10	.62	.62	1.3	19	18	9.5	9.9	1.7	.31	6.3	.65	.62
11	.62	.62	27	20	16	14	9.7	1.9	.31	.62	.93	.62
12	.62	.62	51	9.0	14	14	9.5	1.9	.31	.62	.95	.62
13	.62	.62	49	1.1	14	9.2	9.4	1.8	.31	.62	1.3	.62
14	.62	.62	17	.93	14	.62	8.5	1.5	.31	.62	1.1	.62
15	.62	.62	.62	11	14	.62	7.3	1.4	.31	.62	0	.86
16	.62	.62	5.6	30	14	.62	4.7	1.6	.31	.62	.30	.93
17	.62	.62	12	28	14	8.6	1.2	1.6	.31	.62	.22	.93
18	.62	.62	11	27	14	14	1.2	2.0	.31	.62	.17	.93
19	.62	.62	11	27	14	14	1.2	8.0	.31	.62	0	.62
20	.62	.62	11	24	14	6.5	1.2	9.8	.31	.62	0	.62
21	.62	.98	11	19	14	.62	1.2	9.3	.31	.62	0	.62
22	.62	.70	11	26	14	.62	1.2	11	.31	.54	0	8.1
23	.49	.62	22	37	14	.62	1.1	6.7	11	.31	0	16
24	.31	.62	17	42	13	.62	1.2	.78	14	.31	0	10
25	.31	.62	12	43	13	.62	1.2	.62	14	.18	0	.66
26	.31	.62	18	58	13	.62	1.2	.62	8.3	0	.62	.62
27	.31	.62	21	75	8.4	.62	1.2	.62	.62	0	.49	.62
28	0	.62	22	72	.62	.62	1.2	.62	.62	0	.35	.62
29	0	.62	22	70	-----	.62	1.2	.62	.62	0	.93	.62
30	1.3	.62	22	60	-----	.62	1.2	.62	11	0	.93	.62
31	0	-----	16	47	-----	9.6	-----	.77	-----	0	1.2	-----
TOTAL	40.51	19.04	397.69	915.03	467.02	155.76	139.7	77.17	86.34	101.88	13.47	55.53
MEAN	1.31	.63	12.8	29.5	16.7	5.02	4.66	2.49	2.88	3.29	.43	1.85
MAX	10	.98	51	75	42	14	13	11	14	17	1.3	16
MIN	0	.62	.62	.93	.62	.62	1.1	.62	0	0	0	.62
AC-FT	80	38	789	1,810	926	309	277	153	171	202	27	110

CAL YEAR 1996 TOTAL* 457.24 MEAN 4.97 MAX 51 MIN 0 AC-FT 907
WTR YEAR 1997 TOTAL 2,469.14 MEAN 6.76 MAX 75 MIN 0 AC-FT 4,900

* Incomplete Record instrument stopped logging from 6-3-97 @0805 thru 6-16-97 @1335
information was taken from dam reports
leakage from dam was .31 cfs

RUNOFF – DAILY DISCHARGE

WESTERN HYDROLOGIC SYSTEMS - (916) 885-2480

F193RO F193B-R SANTA ANITA WASH @ LONGDEN AVE.

DAILY DISCHARGE IN CUBIC FEET PER SECOND WATER YEAR OCT 1996 TO SEP 1997

Day	OCT	NOV	DEC	JAN	FEB	MAR	APR	MAY	JUN	JUL	AUG	SEP
1	1.3	1.2	1.1	20	54	1.4	.01	.14	.05	.01	.01	.69
2	2.9	1.8	1.0	29	47	1.4	.01	.02	.43	.01	.13	.96
3	2.4	1.1	1.0	29	47	.72	.08	.01	1.7	.13	.07	.69
4	2.0	1.0	1.0	18	25	.01	.23	.03	1.5	.57	.03	.11
5	3.0	1.3	2.2	22	3.4	.54	.11	.09	1.2	.51	.07	.22
6	1.4	1.2	2.4	7.3	9.5	1.8	.01	.06	.88	.27	.05	.09
7	2.1	1.4	1.2	.08	11	1.3	.03	.02	.16	.21	.07	.09
8	1.6	1.8	1.3	1.1	12	.79	.12	.21	.01	.17	.13	.10
9	.03	1.8	40	1.0	11	.61	.01	.04	.18	.05	.02	.01
10	.39	1.8	38	.01	17	.37	.01	.03	.26	1.7	.09	.06
11	.28	1.8	75	.01	14	.12	.01	.01	.20	.62	.09	.05
12	.17	1.8	68	26	1.0	.16	.01	.11	.73	.42	.05	.04
13	.26	1.5	66	17	.91	.73	.01	.04	3.2	.58	.04	.01
14	.37	.90	39	5.5	.87	1.4	.01	.16	.46	.16	.03	.03
15	.33	1.3	3.4	30	.92	.42	.01	.12	.50	.11	.04	1.0
16	.32	1.6	2.3	24	1.3	.31	.49	.34	.53	.14	.15	.01
17	.33	1.0	4.8	10	1.5	.36	1.9	1.1	.21	.12	.10	.01
18	.51	1.0	1.7	8.9	1.2	.70	2.1	1.1	.17	.05	.05	.01
19	.30	1.0	1.7	8.8	.48	.58	1.7	1.3	.25	.04	.08	.01
20	.36	.98	1.8	22	.16	.76	1.7	2.8	.24	.13	.04	.01
21	.62	53	1.5	14	.05	1.1	1.1	2.6	.02	.09	.09	.01
22	1.1	20	34	27	.01	.39	1.1	4.5	.01	.10	.02	.01
23	1.2	1.7	10	47	.01	.41	.92	4.9	.01	.24	.05	.01
24	1.0	1.4	12	30	.09	.47	1.1	.73	.01	.13	.12	.01
25	1.0	1.7	19	59	.88	.18	1.3	.76	.01	.07	.07	13
26	.95	1.1	25	89	.68	.11	1.1	.50	.01	.03	.04	.20
27	1.0	1.2	44	85	6.2	.12	1.1	.29	.22	.04	.05	.26
28	1.2	1.0	36	74	1.8	.24	1.0	.24	.01	.05	.04	.26
29	1.1	1.1	31	77	-----	.14	.89	.13	.01	.09	.21	.50
30	32	1.1	32	72	-----	.31	.49	.19	.01	.17	.71	.13
31	1.7	-----	24	55	-----	.11	-----	.14	-----	.08	.60	-----
TOTAL	63.22	110.58	621.4	908.70	268.96	18.06	18.66	22.71	13.18	7.09	3.34	18.59
MEAN	2.04	3.69	20.0	29.3	9.61	.58	.62	.73	.44	.23	.11	.62
MAX	32	53	75	89	54	1.8	2.1	4.9	3.2	1.7	.71	13
MIN	.03	.90	1.0	.01	.01	.01	.01	.01	.01	.01	.01	.01
AC-FT	125	219	1,230	1,800	533	36	37	45	26	14	6.6	37
CAL YEAR 1996	TOTAL*	795.20	MEAN	8.64	MAX	75	MIN	.03	AC-FT	1,580		
WTR YEAR 1997	TOTAL	2,074.49	MEAN	5.68	MAX	89	MIN	.01	AC-FT	4,110		

* Incomplete Record
As of 10/06/97. E.E.

RUNOFF – DAILY DISCHARGE

WESTERN HYDROLOGIC SYSTEMS - (916) 885-2480

0F92RO F92C-R SANTA CLARA RIVER AT I-5

DAILY DISCHARGE IN CUBIC FEET PER SECOND WATER YEAR OCT 1996 TO SEP 1997

Day	OCT	NOV	DEC	JAN	FEB	MAR	APR	MAY	JUN	JUL	AUG	SEP
1	2.0	4.5	9.0	8.5	12	11	10	7.6	4.8	5.1	6.4	2.2
2	2.0	4.5	9.0	9.9	12	11	11	7.3	4.5	5.2	6.2	2.2
3	2.0	4.5	9.0	11	12	11	11	7.3	4.5	5.3	5.9	2.2
4	2.0	4.5	9.0	10	12	11	10	7.3	4.5	5.3	5.6	2.2
5	2.0	4.5	9.0	10	12	11	10	7.3	4.5	5.6	5.6	2.0
6	2.0	4.4	9.0	9.9	12	11	10	7.3	4.5	5.6	5.6	2.0
7	2.0	4.4	9.0	9.9	11	11	9.9	7.3	4.2	5.6	5.6	2.0
8	2.1	4.5	9.0	10	11	10	9.8	7.0	4.2	5.8	5.5	2.0
9	2.2	4.5	9.7	10	10	10	9.4	6.9	4.2	5.9	5.3	1.9
10	2.2	4.5	15	10	9.7	10	9.4	6.9	4.2	5.9	5.3	1.9
11	2.2	4.6	21	10	9.2	10	9.1	6.7	4.2	6.1	5.3	2.3
12	2.4	4.8	15	10	9.0	10	9.0	6.6	4.2	6.3	5.3	2.4
13	2.4	4.8	13	42	8.7	10	8.9	6.6	4.2	6.3	5.6	2.4
14	2.5	4.8	11	12	8.3	10	8.5	6.4	4.5	6.4	5.9	2.5
15	2.6	4.9	9.2	132	8.3	9.9	8.5	6.3	4.5	6.6	5.9	2.6
16	2.6	5.1	7.7	7.1	8.1	9.9	8.2	6.3	4.5	6.6	5.9	2.6
17	2.8	5.1	6.5	6.6	7.9	9.9	8.1	6.1	4.5	6.7	5.6	2.6
18	2.8	5.1	6.3	6.2	7.7	9.9	8.1	5.9	4.5	6.9	5.6	2.6
19	2.9	5.2	6.3	6.1	8.0	9.9	8.1	5.9	4.2	6.9	5.6	2.6
20	3.0	5.3	6.3	6.2	8.5	9.8	8.1	5.8	4.2	7.0	5.3	2.7
21	3.1	82	6.3	5.9	8.8	9.9	8.1	5.6	4.2	7.3	5.1	2.8
22	3.2	9.7	134	5.9	9.3	10	7.8	5.6	4.1	7.3	4.5	2.8
23	3.2	7.2	7.7	5.9	9.8	10	7.7	5.5	3.9	7.3	3.9	2.8
24	3.4	7.3	7.1	5.9	10	10	7.7	5.3	3.9	7.3	3.4	2.8
25	3.4	7.7	7.3	89	11	10	7.7	5.3	4.1	7.3	2.9	5.0
26	3.6	7.8	7.6	181	11	10	7.7	5.3	4.2	7.3	2.6	2.8
27	3.7	8.1	7.7	2.5	11	10	7.7	5.1	4.4	7.3	2.6	2.8
28	3.8	8.3	8.1	10	11	10	7.7	5.1	4.5	7.3	2.4	2.8
29	3.9	8.5	8.2	12	-----	10	7.7	5.0	4.8	7.3	2.4	2.8
30	4.0	8.9	8.5	12	-----	11	7.7	4.8	4.8	6.9	2.4	2.7
31	4.2	-----	8.5	12	-----	11	-----	4.8	-----	6.7	2.4	-----
TOTAL	86.2	250.0	497.3	679.5	279.3	318.2	262.6	192.2	130.5	200.4	147.6	76.0
MEAN	2.78	8.33	16.0	21.9	9.98	10.3	8.75	6.20	4.35	6.46	4.76	2.53
MAX	4.2	82	134	181	12	11	11	7.6	4.8	7.3	6.4	5.0
MIN	2.0	4.4	6.3	2.5	7.7	9.8	7.7	4.8	3.9	5.1	2.4	1.9
AC-FT	171	496	986	1,350	554	631	521	381	259	397	293	151
CAL YEAR 1996 TOTAL*		833.5	MEAN	9.06	MAX	134	MIN	2.0	AC-FT	1,650		
WTR YEAR 1997 TOTAL		3,119.8	MEAN	8.55	MAX	181	MIN	1.9	AC-FT	6,190		

* Incomplete Record

RUNOFF – DAILY DISCHARGE

WESTERN HYDROLOGIC SYSTEMS - (916) 885-2480

F280RO F280-R SANTA FE DIVERSION BELOW DAM

DAILY DISCHARGE IN CUBIC FEET PER SECOND WATER YEAR OCT 1996 TO SEP 1997

Day	OCT	NOV	DEC	JAN	FEB	MAR	APR	MAY	JUN	JUL	AUG	SEP
1	.01	40	0	.03	0	0	0	0	0	351	5.4	0
2	0	14	0	.03	0	0	0	0	0	376	.44	0
3	1.1	12	71	0	0	0	0	0	0	316	.06	0
4	1.3	8.7	120	0	0	0	0	0	0	12	0	0
5	.65	1.1	123	0	0	0	0	0	0	7.6	0	0
6	.30	0	131	0	0	0	0	0	0	6.1	0	0
7	.07	0	134	0	0	0	0	0	0	93	7.3	0
8	0	0	132	0	0	0	0	0	0	316	8.6	0
9	0	0	58	0	0	0	0	0	0	381	7.5	0
10	1.4	0	.11	0	0	0	0	0	0	383	4.2	0
11	.04	0	0	0	0	0	0	0	0	329	4.8	0
12	0	0	0	0	0	0	0	0	0	13	4.4	0
13	0	0	0	0	0	0	0	0	0	7.8	4.9	0
14	0	0	0	0	0	0	0	0	0	96	3.9	0
15	0	0	0	0	0	0	0	0	0	368	3.9	0
16	0	0	0	0	0	0	0	0	0	385	3.3	0
17	0	0	0	0	0	0	0	0	14	384	2.0	0
18	0	0	0	0	0	0	0	0	36	257	1.6	0
19	0	0	0	0	0	0	0	0	47	13	4.6	0
20	0	0	0	0	0	0	0	0	59	9.9	3.5	0
21	0	.06	0	0	0	0	0	0	12	107	.63	0
22	0	.66	0	0	0	0	0	0	8.5	393	.02	0
23	0	.12	0	0	0	0	0	0	35	166	0	0
24	0	0	0	0	0	0	0	0	267	6.8	0	0
25	0	0	0	0	0	0	0	0	285	5.0	0	0
26	0	0	0	0	0	0	0	0	284	4.9	0	0
27	0	0	0	0	0	0	0	0	247	4.9	0	0
28	0	0	0	0	0	0	0	0	13	5.0	0	0
29	0	0	0	0	-----	0	0	0	8.3	5.0	0	0
30	0	0	0	0	-----	0	0	0	89	5.0	0	0
31	31	-----	.03	0	-----	0	-----	0	-----	4.5	0	-----
TOTAL	35.87	76.64	769.14	0.06	0	0	0	0	1,404.8	4,811.5	71.05	0
MEAN	1.16	2.55	24.8	.002	0	0	0	0	46.8	155	2.29	0
MAX	31	40	134	.03	0	0	0	0	285	393	8.6	0
MIN	0	0	0	0	0	0	0	0	0	4.5	0	0
AC-FT	71	152	1,530	.1	0	0	0	0	2,790	9,540	141	0
CAL YEAR 1996	TOTAL*	881.65	MEAN	9.58	MAX	134	MIN	0	AC-FT	1,750		
WTR YEAR 1997	TOTAL	7,169.06	MEAN	19.6	MAX	393	MIN	0	AC-FT	14,220		

* Incomplete Record As of 10/06/97.EE.

RUNOFF – DAILY DISCHARGE

WESTERN HYDROLOGIC SYSTEMS - (916) 885-2480

F125RO F125-R SANTIAGO CREEK ABOVE LITTLE ROCK CK.

DAILY DISCHARGE IN CUBIC FEET PER SECOND WATER YEAR OCT 1996 TO SEP 1997

Day	OCT	NOV	DEC	JAN	FEB	MAR	APR	MAY	JUN	JUL	AUG	SEP
1	0	0	0	0	.92	.34	.09	0	0	0	0	0
2	0	0	0	0	.77	.27	.11	0	0	0	0	0
3	0	0	0	0	.70	.27	.19	0	0	0	0	0
4	0	0	0	0	.66	.27	.13	0	0	0	0	0
5	0	0	0	0	.60	.23	.09	0	0	0	0	0
6	0	0	0	0	.49	.26	.09	0	0	0	0	0
7	0	0	0	0	.45	.25	.08	0	0	0	0	0
8	0	0	0	0	.45	.21	.08	0	0	0	0	0
9	0	0	0	0	.41	.20	.08	0	0	0	0	0
10	0	0	0	0	.38	.18	.09	0	0	0	0	0
11	0	0	0	.16	.37	.21	.09	0	0	0	0	0
12	0	0	0	.12	.37	.22	.09	0	0	0	0	0
13	0	0	0	.20	.33	.22	.08	0	0	0	0	0
14	0	0	0	.16	.31	.22	.09	0	0	0	0	0
15	0	0	0	.41	.27	.21	.09	0	0	0	0	0
16	0	0	0	.61	.33	.21	.09	0	0	0	0	0
17	0	0	0	.51	.37	.20	.05	0	0	0	0	0
18	0	0	0	.42	.34	.21	.04	0	0	0	0	0
19	0	0	0	.35	.33	.23	.02	0	0	0	0	0
20	0	0	0	.41	.38	.23	0	0	0	0	0	0
21	0	0	0	.65	.45	.17	0	0	0	0	0	0
22	0	0	0	.76	.40	.14	0	0	0	0	0	0
23	0	0	0	3.5	.39	.13	.04	0	0	0	0	0
24	0	0	0	3.4	.35	.09	.07	0	0	0	0	0
25	0	0	0	3.2	.35	.08	.04	0	0	0	0	0
26	0	0	0	12	.37	.08	.02	0	0	0	0	0
27	0	0	0	5.6	.32	.08	.01	0	0	0	0	0
28	0	0	0	3.1	.23	.08	0	0	0	0	0	0
29	0	0	0	2.2	-----	.08	0	0	0	0	0	0
30	0	0	0	1.7	-----	.08	0	0	0	0	0	0
31	0	-----	0	1.3	-----	.07	-----	0	-----	0	0	-----
TOTAL	0	0	0	40.76	12.09	5.72	1.85	0	0	0	0	0
MEAN	0	0	0	1.31	.43	.18	.062	0	0	0	0	0
MAX	0	0	0	12	.92	.34	.19	0	0	0	0	0
MIN	0	0	0	0	.23	.07	0	0	0	0	0	0
AC-FT	0	0	0	81	24	11	3.7	0	0	0	0	0
CAL YEAR 1996	TOTAL*	0.00	MEAN	0	MAX	0	MIN	0	AC-FT	0		
WTR YEAR 1997	TOTAL	60.42	MEAN	.17	MAX	12	MIN	0	AC-FT	120		

* Incomplete Record Record missing from 10/01/96-10/07/96@1135. Period was dry.

RUNOFF – DAILY DISCHARGE

WESTERN HYDROLOGIC SYSTEMS - (916) 885-2480

F194RO F194B-R SAWPIT WASH BELOW LIVE OAK AVE.

DAILY DISCHARGE IN CUBIC FEET PER SECOND WATER YEAR OCT 1996 TO SEP 1997

Day	OCT	NOV	DEC	JAN	FEB	MAR	APR	MAY	JUN	JUL	AUG	SEP
1	.40	29	.27	5.8	1.9	2.0	.44	1.7	.15	351	5.4	.55
2	.27	3.7	.29	27	1.4	2.0	.42	2.2	.18	376	.77	.56
3	.81	.92	42	34	1.1	1.2	.42	1.4	.14	316	.75	.59
4	.26	.88	85	4.6	1.1	.58	.43	1.6	.12	12	.33	.58
5	.25	.75	91	12	.68	.57	.45	1.6	.34	7.6	.16	.61
6	.24	.20	97	1.9	1.2	.57	.44	1.2	.13	6.1	.15	.66
7	.25	.20	97	.60	1.9	.57	.43	.96	.13	93	7.3	.65
8	.25	.20	97	.54	1.6	.55	.50	1.0	.12	316	8.6	.61
9	.25	.21	132	.71	1.5	.55	.42	.99	.11	381	7.5	.49
10	.93	.20	50	.47	6.4	.57	.38	1.0	.12	383	4.2	.30
11	.24	.20	115	.39	2.4	.57	.39	1.1	.11	329	4.8	.34
12	.26	.20	13	51	.44	.66	.38	1.1	.18	13	4.4	.35
13	.23	.20	4.1	40	.39	.61	.38	1.1	.38	7.8	4.9	.39
14	.23	.20	2.8	12	.37	.64	.39	.93	.12	96	3.9	.41
15	.24	.22	2.2	58	.36	.66	.39	.88	.12	368	3.9	6.7
16	.26	.21	1.4	1.6	.36	.66	.38	.79	.12	385	3.3	.59
17	.25	.20	.26	.08	.37	.66	.50	.89	14	384	2.0	.55
18	.25	.21	.47	.08	.48	.61	1.1	.93	36	257	1.6	.56
19	.24	.20	.22	.06	.38	.66	.45	1.0	47	13	4.6	.55
20	.23	.44	.21	4.8	.37	1.1	.39	.62	59	9.9	3.5	.62
21	.22	165	.22	5.1	.36	.60	.59	.40	12	107	.60	.63
22	.25	45	43	16	.36	.66	1.3	.14	8.5	393	.21	.66
23	.23	2.1	3.3	35	.36	.67	1.9	.15	35	166	.22	.25
24	.23	1.2	.40	1.7	.36	.68	1.9	.15	267	6.8	.20	.24
25	.24	.98	.35	51	.36	.70	1.7	.15	285	5.0	.22	34
26	.23	.55	1.3	97	.37	.69	1.8	.16	284	4.9	.45	.89
27	.21	.29	28	11	5.5	.42	1.9	.15	247	4.9	.60	.75
28	.23	.29	12	5.6	2.2	.38	2.0	.14	13	5.0	.59	.65
29	.45	.27	3.3	4.3	-----	.37	2.5	.16	8.3	5.0	.56	.50
30	83	.27	3.0	3.1	-----	.38	2.2	.18	89	5.0	.60	.41
31	23	-----	2.7	2.4	-----	.40	-----	.16	-----	4.5	.61	-----
TOTAL	114.63	254.49	928.79	487.83	34.57	21.94	26.87	24.93	1,407.37	4,811.5	76.92	55.64
MEAN	3.70	8.48	30.0	15.7	1.23	.71	.90	.80	46.9	155	2.48	1.85
MAX	83	165	132	97	6.4	2.0	2.5	2.2	285	393	8.6	34
MIN	.21	.20	.21	.06	.36	.37	.38	.14	.11	4.5	.15	.24
AC-FT	227	505	1,840	968	69	44	53	49	2,790	9,540	153	110
CAL YEAR 1996	TOTAL*	1,297.91	MEAN	14.1	MAX	165	MIN	.20	AC-FT	2,570		
WTR YEAR 1997	TOTAL	8,245.48	MEAN	22.6	MAX	393	MIN	.06	AC-FT	16,350		

* Incomplete Record
As of 10/06/97.E.E.

RUNOFF – DAILY DISCHARGE

WESTERN HYDROLOGIC SYSTEMS - (916) 885-2480

0F32RO F32B-R THOMPSON CREEK BELOW DAM

DAILY DISCHARGE IN CUBIC FEET PER SECOND WATER YEAR OCT 1996 TO SEP 1997

Day	OCT	NOV	DEC	JAN	FEB	MAR	APR	MAY	JUN	JUL	AUG	SEP
1	0	0	0	0	.13	0	0	0	0	0	0	0
2	0	0	0	0	.13	0	0	0	0	0	0	0
3	0	0	0	0	.04	0	0	0	0	0	0	0
4	0	0	0	0	0	0	0	0	0	0	0	0
5	0	0	0	0	0	0	0	0	0	0	0	0
6	0	0	0	0	0	0	0	0	0	0	0	0
7	0	0	0	0	0	0	0	0	0	0	0	0
8	0	0	0	0	0	0	0	0	0	0	0	0
9	0	0	.04	0	0	0	0	0	0	0	0	0
10	0	0	.14	0	0	0	0	0	0	0	0	0
11	0	0	.16	0	0	0	0	0	0	0	0	0
12	0	0	.13	.13	0	0	0	0	0	0	0	0
13	0	0	.04	.26	0	0	0	0	0	0	0	0
14	0	0	0	.26	0	0	0	0	0	0	0	0
15	0	0	0	.27	0	0	0	0	0	0	0	0
16	0	0	0	.26	0	0	0	0	0	0	0	0
17	0	0	0	.26	0	0	0	0	0	0	0	0
18	0	0	0	.20	0	0	0	0	0	0	0	0
19	0	0	0	.13	0	0	0	0	0	0	0	0
20	0	0	0	.18	0	0	0	0	0	0	0	0
21	0	0	0	.26	0	0	0	0	0	0	0	0
22	0	.15	.14	.26	0	0	0	0	0	0	0	0
23	0	.13	.13	.26	0	0	0	0	0	0	0	0
24	0	.12	.13	.26	0	0	0	0	0	0	0	0
25	0	0	.13	.40	0	0	0	0	0	0	0	0
26	0	0	0	11	0	0	0	0	0	0	0	0
27	0	0	0	8.0	0	0	0	0	0	0	0	0
28	0	0	0	.83	0	0	0	0	0	0	0	0
29	0	0	0	.19	-----	0	0	0	0	0	0	0
30	0	0	0	0	-----	0	0	0	0	0	0	0
31	0	-----	0	0	-----	0	-----	0	-----	0	0	-----
TOTAL	0	0.40	1.04	23.41	0.30	0	0	0	0	0	0	0
MEAN	0	.013	.034	.76	.011	0	0	0	0	0	0	0
MAX	0	.15	.16	11	.13	0	0	0	0	0	0	0
MIN	0	0	0	0	0	0	0	0	0	0	0	0
AC-FT	0	.8	2.1	46	.6	0	0	0	0	0	0	0
CAL YEAR 1996 TOTAL*		1.44	MEAN	.016	MAX	.16	MIN	0	AC-FT	2.9		
WTR YEAR 1997 TOTAL		25.15	MEAN	.069	MAX	11	MIN	0	AC-FT	50		

* Incomplete Record
 Record as up 10/02/97
 MB

RUNOFF – DAILY DISCHARGE

WESTERN HYDROLOGIC SYSTEMS - (916) 885-2480

0F54RO F54C-R TOPANGA CREEK ABOVE MOUTH OF CANYON

DAILY DISCHARGE IN CUBIC FEET PER SECOND WATER YEAR OCT 1996 TO SEP 1997

Day	OCT	NOV	DEC	JAN	FEB	MAR	APR	MAY	JUN	JUL	AUG	SEP
1	.76	.72	.81	3.0	5.0	1.4	1.3	1.2	1.2	1.2	1.2	1.1
2	.78	.63	.85	4.5	4.4	1.4	1.3	1.2	1.2	1.2	1.2	1.1
3	.80	.60	.82	4.7	3.9	1.4	1.3	1.2	1.2	1.2	1.2	1.1
4	.81	.59	.82	3.0	3.5	1.3	1.3	1.2	1.2	1.2	1.2	1.1
5	.82	.58	.90	2.6	3.2	1.3	1.3	1.2	1.2	1.2	1.2	1.1
6	.82	.56	1.3	2.1	2.9	1.3	1.3	1.2	1.2	1.2	1.2	1.1
7	.81	.56	1.1	1.8	2.6	1.3	1.3	1.2	1.2	1.2	1.2	1.1
8	.80	.54	1.0	1.7	2.4	1.3	1.3	1.2	1.2	1.2	1.2	1.1
9	.81	.55	37	1.5	2.1	1.3	1.2	1.2	1.2	1.2	1.1	1.1
10	.82	.56	40	1.5	2.4	1.3	1.2	1.2	1.2	1.2	1.1	1.1
11	.81	.57	60	1.4	2.3	1.3	1.2	1.2	1.2	1.2	1.1	1.1
12	.82	.57	15	5.5	1.9	1.3	1.2	1.2	1.2	1.2	1.1	1.1
13	.82	.57	7.0	10	1.6	1.3	1.2	1.2	1.2	1.2	1.1	1.1
14	.84	.57	4.7	3.5	1.5	1.3	1.2	1.2	1.2	1.2	1.1	1.1
15	.87	.60	3.3	49	1.5	1.3	1.2	1.2	1.2	1.2	1.1	1.1
16	.88	.60	2.9	17	1.5	1.3	1.2	1.2	1.2	1.2	1.1	1.1
17	.88	.59	2.7	8.0	1.8	1.3	1.2	1.2	1.2	1.2	1.1	1.1
18	.88	.60	2.1	5.4	1.6	1.3	1.2	1.2	1.2	1.2	1.1	1.1
19	.88	.60	1.9	4.3	1.4	1.3	1.2	1.2	1.2	1.2	1.1	1.1
20	.82	.60	1.8	7.6	1.4	1.3	1.2	1.2	1.2	1.2	1.1	1.1
21	.79	9.7	1.8	8.1	1.4	1.3	1.2	1.2	1.2	1.2	1.1	1.1
22	.80	10	32	10	1.4	1.3	1.2	1.2	1.2	1.2	1.1	1.1
23	.82	2.1	7.1	80	1.4	1.3	1.2	1.2	1.2	1.2	1.1	1.1
24	.85	1.3	3.7	21	1.4	1.3	1.2	1.2	1.2	1.2	1.1	1.1
25	.88	1.1	3.0	31	1.4	1.3	1.2	1.2	1.2	1.2	1.1	1.1
26	.82	.96	2.7	42	1.4	1.3	1.2	1.2	1.2	1.2	1.1	1.1
27	.81	.81	20	22	1.4	1.3	1.2	1.2	1.2	1.2	1.1	1.1
28	.82	.79	15	14	1.4	1.3	1.2	1.2	1.2	1.2	1.1	1.1
29	.86	.82	5.8	9.4	-----	1.3	1.2	1.2	1.2	1.2	1.1	1.1
30	25	.80	3.9	7.2	-----	1.3	1.2	1.2	1.2	1.2	1.1	1.1
31	1.1	-----	3.2	5.8	-----	1.3	-----	1.2	-----	1.2	1.1	-----
TOTAL	50.08	40.14	284.20	388.6	60.1	40.6	36.8	37.2	36.0	37.2	34.9	33.0
MEAN	1.62	1.34	9.17	12.5	2.15	1.31	1.23	1.20	1.20	1.20	1.13	1.10
MAX	25	10	60	80	5.0	1.4	1.3	1.2	1.2	1.2	1.2	1.1
MIN	.76	.54	.81	1.4	1.4	1.3	1.2	1.2	1.2	1.2	1.1	1.1
AC-FT	99	80	564	771	119	81	73	74	71	74	69	65
CAL YEAR 1996 TOTAL*		374.42	MEAN	4.07	MAX	60	MIN	.54	AC-FT	743		
WTR YEAR 1997 TOTAL		1,078.82	MEAN	2.96	MAX	80	MIN	.54	AC-FT	2,140		

* Incomplete Record
As of 10/01/97.R.V.

RUNOFF – DAILY DISCHARGE

WESTERN HYDROLOGIC SYSTEMS - (916) 885-2480

F252RO F252-R VERDUGO WASH @ ESTELLE AVE.

DAILY DISCHARGE IN CUBIC FEET PER SECOND WATER YEAR OCT 1996 TO SEP 1997

Day	OCT	NOV	DEC	JAN	FEB	MAR	APR	MAY	JUN	JUL	AUG	SEP
1	9.0	21	8.0	27	14	11	10	9.1	11	3.1	3.8	4.9
2	9.0	19	8.0	170	14	11	9.4	8.9	11	2.9	4.1	5.4
3	9.0	19	8.0	148	14	12	11	9.0	10	2.8	3.4	5.3
4	9.0	19	8.0	8.9	8.8	11	10	9.0	11	2.9	3.3	5.4
5	9.0	19	8.0	110	7.5	11	10	9.6	11	3.1	3.7	5.1
6	9.0	16	8.0	12	13	11	11	9.9	10	3.0	3.5	4.9
7	9.0	15	8.0	8.9	13	11	11	9.9	9.9	2.9	2.9	4.9
8	9.0	15	8.0	8.9	12	11	11	9.9	9.9	2.6	2.6	5.0
9	9.0	15	446	8.9	12	11	11	9.5	9.9	2.6	2.8	5.4
10	9.0	15	173	8.9	29	11	10	9.1	8.7	2.8	4.9	6.1
11	9.0	15	417	8.9	15	11	10	9.5	7.4	3.0	3.3	5.4
12	9.0	15	532	202	12	11	10	9.9	7.1	2.8	1.9	5.8
13	9.0	15	11	200	11	11	10	10	16	2.6	3.2	5.1
14	8.0	15	11	90	11	11	11	9.7	11	2.5	5.0	4.7
15	8.0	15	11	83	11	11	11	9.7	11	3.2	5.2	4.7
16	7.1	15	11	34	11	11	10	9.9	13	3.5	5.2	4.7
17	7.1	15	11	36	17	11	10	10	13	3.4	4.9	4.7
18	7.1	15	11	14	12	12	10	9.9	11	2.8	5.0	4.3
19	7.1	15	11	8.9	11	11	10	10	11	2.6	5.7	3.9
20	7.1	15	11	166	11	11	9.9	10	11	3.3	5.0	3.9
21	7.1	328	11	63	11	11	9.6	10	11	3.7	5.1	3.2
22	7.1	50	1,140	93	11	11	9.6	10	11	4.1	5.4	3.2
23	7.1	24	22	236	11	11	9.2	10	11	3.5	5.4	2.8
24	7.1	21	9.4	15	11	11	8.9	10	11	3.7	5.9	2.6
25	7.1	9.0	9.0	242	11	10	9.5	10	6.0	3.3	5.5	55
26	7.1	9.0	9.0	167	11	9.9	9.1	11	3.4	3.8	5.3	8.9
27	7.1	9.0	125	49	12	9.8	9.1	10	3.5	3.7	4.8	6.8
28	7.1	8.0	11	16	11	10	8.9	10	3.2	4.1	5.0	6.2
29	7.1	8.0	11	14	-----	9.9	9.4	11	3.1	4.9	4.8	6.2
30	84	8.0	9.0	11	-----	9.9	8.8	10	3.1	3.8	4.9	6.2
31	24	-----	9.0	11	-----	10	-----	11	-----	3.9	4.9	-----
TOTAL	340.4	797.0	3,085.4	2,271.3	348.3	335.5	298.4	305.5	280.2	100.9	136.4	200.7
MEAN	11.0	26.6	99.5	73.3	12.4	10.8	9.95	9.85	9.34	3.25	4.40	6.69
MAX	84	328	1,140	242	29	12	11	11	16	4.9	5.9	55
MIN	7.1	8.0	8.0	8.9	7.5	9.8	8.8	8.9	3.1	2.5	1.9	2.6
AC-FT	675	1,580	6,120	4,510	691	665	592	606	556	200	271	398
CAL YEAR 1996 TOTAL*		4,222.8	MEAN	45.9	MAX	1,140	MIN	7.1	AC-FT	8,380		
WTR YEAR 1997 TOTAL		8,500.0	MEAN	23.3	MAX	1,140	MIN	1.9	AC-FT	16,860		

* Incomplete Record Recorder inoperative, record based on corps station 3388; Dates:
 Oct, Nov, Dec, Jan.

RUNOFF – DAILY DISCHARGE

WESTERN HYDROLOGIC SYSTEMS - (916) 885-2480

F304RO F304-R WALNUT CREEK ABOVE PUENTE AVE.

DAILY DISCHARGE IN CUBIC FEET PER SECOND WATER YEAR OCT 1996 TO SEP 1997

Day	OCT	NOV	DEC	JAN	FEB	MAR	APR	MAY	JUN	JUL	AUG	SEP
1	.40	2.0	14	11	27	1.3	2.2	.55	.25	.04	.04	.03
2	.43	1.5	7.1	45	30	1.2	1.6	.69	.29	.14	.07	.03
3	.55	1.4	1.2	90	37	1.2	2.8	.72	.12	.64	.07	.04
4	.85	1.4	3.8	6.1	29	1.2	2.1	.76	.25	.01	.14	.04
5	.41	1.5	6.5	13	12	1.3	1.2	.31	.07	.01	.06	.05
6	.87	1.5	11	13	22	1.1	1.1	.40	.04	.02	.07	.06
7	.75	1.5	2.6	15	1.6	1.1	1.3	.77	.12	1.0	.08	.06
8	2.5	1.3	2.2	26	1.6	1.1	1.6	.29	.05	.97	.06	.10
9	.58	1.6	329	14	1.6	1.0	1.9	.37	.24	1.5	.07	.04
10	.57	1.9	65	12	8.6	.99	1.2	.40	.32	1.3	.07	.07
11	.54	1.8	226	7.6	2.2	1.0	1.6	.30	.08	.02	.09	.04
12	.32	2.4	38	142	1.5	1.0	2.0	.74	.04	.02	.06	.05
13	.32	2.6	64	121	1.3	.87	1.8	.37	2.8	.02	.09	.05
14	.50	2.7	77	64	1.4	1.0	2.0	.24	.06	.03	.11	.07
15	.35	2.9	76	216	1.6	1.2	5.7	.35	.04	.03	.06	11
16	.47	2.9	41	2.8	1.9	1.2	12	.55	.04	.92	.08	.12
17	.26	2.4	6.5	15	2.3	1.2	1.9	.37	.03	1.3	.09	.17
18	.38	3.0	6.5	35	2.4	1.2	3.3	.21	.04	2.0	.09	.09
19	.33	3.3	7.0	35	2.6	1.2	5.9	.23	.02	1.7	.07	.06
20	.25	2.9	6.1	44	3.1	1.5	5.5	.52	.04	.02	.13	.05
21	.59	453	4.8	30	2.0	1.2	3.7	.29	.03	1.9	.04	.04
22	.62	113	111	8.3	1.6	1.5	3.2	.23	.02	.06	.03	.04
23	.55	4.2	9.7	185	1.6	1.5	.22	.31	.03	.05	.03	.03
24	.75	2.8	8.6	99	1.6	1.8	.09	.30	.02	.07	.03	.04
25	1.1	7.0	7.5	295	1.6	2.1	.08	.35	.03	.04	.03	81
26	.64	3.0	7.5	388	1.7	2.7	.21	.20	.03	.05	.03	1.4
27	.55	18	70	10	5.5	2.9	.09	.09	.03	.09	.03	.53
28	.68	25	41	1.7	1.7	3.6	.80	.15	.03	.13	.04	.40
29	1.0	18	51	13	-----	3.1	1.2	.18	.03	.35	.03	.34
30	167	14	50	27	-----	2.9	1.1	.24	.03	.17	.03	.21
31	3.2	-----	11	26	-----	3.1	-----	.15	-----	.05	.03	-----
TOTAL	188.31	700.5	1,362.6	2,010.5	208.0	49.26	69.39	11.63	5.22	14.65	1.95	96.25
MEAN	6.07	23.4	44.0	64.9	7.43	1.59	2.31	.38	.17	.47	.063	3.21
MAX	167	453	329	388	37	3.6	12	.77	2.8	2.0	.14	81
MIN	.25	1.3	1.2	1.7	1.3	.87	.08	.09	.02	.01	.03	.03
AC-FT	374	1,390	2,700	3,990	413	98	138	23	10	29	3.9	191
CAL YEAR 1996	TOTAL*	2,251.41	MEAN	24.5	MAX	453	MIN	.25	AC-FT	4,470		
WTR YEAR 1997	TOTAL	4,718.26	MEAN	12.9	MAX	453	MIN	.01	AC-FT	9,360		

* Incomplete Record
As of 10/02/97. E.E.

RUNOFF – DAILY DISCHARGE

WESTERN HYDROLOGIC SYSTEMS - (916) 885-2480

OF40RO F40-R PUDDINGSTONE CREEK BELOW DAM

DAILY DISCHARGE IN CUBIC FEET PER SECOND WATER YEAR OCT 1996 TO SEP 1997

Day	OCT	NOV	DEC	JAN	FEB	MAR	APR	MAY	JUN	JUL	AUG	SEP
1	.52	.38	30	1.3	46	.68	.64	.93	.68	.68	.81	.61
2	.47	.38	30	1.5	49	.68	.68	.93	.69	.69	.57	.57
3	.47	.35	22	1.6	49	.67	.65	.90	.68	.68	.66	.57
4	.47	.30	12	1.4	49	.57	.61	.82	.68	.70	.61	.61
5	.47	.30	.68	1.4	48	.57	.64	.84	.68	.58	.61	.59
6	.47	.30	.68	31	17	.57	.58	.81	.67	.63	.57	.61
7	.47	.30	.68	46	1.4	.58	.57	.84	.66	.61	.63	.57
8	.47	.30	.68	46	1.5	.57	.57	.93	.68	.79	.73	.57
9	.47	.30	1.1	27	1.6	.57	.62	.93	.68	.64	.71	.60
10	.47	.30	.81	17	1.6	.57	.63	.92	.70	.65	.71	.57
11	.71	.30	1.2	6.4	1.6	.57	.61	.85	.61	.68	.70	.61
12	.47	.83	51	.70	1.6	.60	.62	.80	.69	.68	.71	.57
13	.47	.45	86	25	1.6	.68	.60	.80	.65	.72	.76	.57
14	.47	.50	86	49	1.6	.71	.57	.82	.68	.68	.63	.61
15	.47	.32	83	22	1.6	.74	.58	.79	.64	.68	.71	.59
16	.47	.28	29	19	1.6	.68	.57	.78	.67	.68	.69	.57
17	.47	.27	1.2	47	1.6	.67	.57	.80	.57	.68	.62	.57
18	.47	.26	1.2	46	1.6	.68	.57	.87	.64	.68	.64	.57
19	.47	.27	1.2	47	1.2	.68	.57	.80	.65	.68	.58	.60
20	.48	.32	1.2	30	.85	.68	.57	.80	.70	.73	.68	.57
21	.49	.82	1.2	1.6	.80	.68	.63	.81	.66	.68	.68	.57
22	.42	.58	1.4	1.6	.80	.68	.73	.83	.59	.68	.67	.53
23	.38	.44	1.2	56	.80	.68	.93	.78	.66	.71	.64	.55
24	.45	.29	1.2	105	.93	.68	1.2	.68	.67	.68	.57	.57
25	.47	9.3	1.2	60	.91	.68	1.1	.68	.67	.70	.63	.63
26	.50	17	1.2	2.6	.85	.72	.93	.68	.69	.58	.57	.69
27	.47	31	1.3	1.8	.94	.70	.93	.68	.68	.68	.69	.57
28	.46	31	30	1.6	.81	.68	.93	.72	.71	.70	.60	.63
29	.38	31	51	31	-----	.66	.93	.68	.73	.59	.57	.57
30	.59	31	42	45	-----	.64	.93	.68	.68	.68	.63	.57
31	.42	-----	1.2	45	-----	.68	-----	.68	-----	.72	.57	-----
TOTAL	14.73	159.44	572.53	817.50	285.79	20.20	21.26	24.86	20.04	20.94	20.15	17.58
MEAN	.48	5.31	18.5	26.4	10.2	.65	.71	.80	.67	.68	.65	.59
MAX	.71	31	86	105	49	.74	1.2	.93	.73	.79	.81	.69
MIN	.38	.26	.68	.70	.80	.57	.57	.68	.57	.58	.57	.53
AC-FT	29	316	1,140	1,620	567	40	42	49	40	42	40	35
CAL YEAR 1996 TOTAL*		746.70	MEAN	8.12	MAX	86	MIN	.26	AC-FT	1,480		
WTR YEAR 1997 TOTAL		1,995.02	MEAN	5.47	MAX	105	MIN	.26	AC-FT	3,960		

* Incomplete Record
As of 10/02/97.E.E.

APPENDIX D

RESERVOIRS – YEARLY RESERVOIR OPERATION

RESERVOIRS – YEARLY RESERVOIR OPERATION SUMMARY

Big Dalton Dam

Season	Inflow Annual (AF)	Inflow		Outflow Annual (AF)	Peak Inflow	
		Max-Day (CFS)	Min-Day (CFS)		Date	Q (CFS)
1929-30	52	3.0	0.0	52.0		N.D.
1930-31	41	2.0	0.0	41.0	Apr 26	3.0
1931-32	690	54.0	0.0	688.0	Feb 09	86.0
1932-33	79	5.0	0.0	81.0	Jan 20	12.0
1933-34	448	93.0	0.0	448.0	Jan 01	227.0
1934-35	593	21.0	0.0	575.0	Apr 08	49.0
1935-36	360	12.0	0.0	370.0	Feb 11	72.0
1936-37	1,879	51.0	0.0	1,868.0	Feb 06	98.0
1937-38	3,271	415.0	0.0	3,192.0	Mar 02	1,320.0
1938-39	280	4.0	0.0	288.0	Jan 05	26.0
1939-40	232	4.0	0.0	236.0	Jan 08	29.0
1940-41	2,767	56.0	+	2,748.0	Mar 04	88.0
1941-42	209	2.0	0.0	233.0	Mar 14	6.0
1942-43	3,143	160.0	0.0	3,110.0	Jan 23	595.0
1943-44	1,087	109.0	+	1,085.0	Feb 22	226.0
1944-45	734	19.0	0.0	729.0	Nov 11	47.0
1945-46	525	40.0	0.0	509.0	Dec 23	148.0
1946-47	492	16.0	0.0	512.0	Nov 20	56.0
1947-48	58	1.0	0.0	8.0	Apr 28	9.7
1948-49	94	1.0	0.0	113.0	Dec 17	3.3
1949-50	142	2.0	0.0	130.0	Feb 06	3.5
1950-51	27	2.0	+	14.0	Jan 11	4.8
1951-52	1,626	73.0	0.0	1,577.0	Jan 16	154.0
1952-53	120	1.0	+	68.0	Dec 01	4.8
1953-54	346	13.0	0.0	359.0	Jan 25	53.0
1954-55	87	1.0	+	5.0	Jan 18	2.4
1955-56	190	14.0	+	213.0	Jan 26	56.0
1956-57	76	1.0	+	27.0	Jan 13	1.8
1957-58	2,104	97.0	0.0	2,052.0	Apr 03	169.0
1958-59	160	6.0	+	133.0	Feb 16	26.0
1959-60	54	1.0	+	11.0	Apr 27	4.8
1960-61	187	18.0	0.0	1,510.0	Nov 05	462.0
1961-62	1,222	63.0	0.0	933.0	Dec 02	1,130.0
1962-63	248	20.0	0.0	159.0	Feb 09	92.0
1963-64	165	3.0	0.0	300.0	Mar 22	30.0
1964-65	380	18.0	0.0	15.0	Apr 09	73.0
1965-66	2,210	113.0	0.0	2,013.0	Nov 22	489.0
1966-67	4,787	292.0	0.0	4,790.0	Dec 06	685.0
1967-68	771	15.0	0.0	681.0	Nov 19	56.0
1968-69	13,251	1,210.0	0.0	12,995.0	Jan 25	1,540.0

N.D. Not determined

R.I. Records incomplete

+ Less than 0.05 Acre Feet or less than 0.05 CFS, but greater than 0

RESERVOIRS – YEARLY RESERVOIR OPERATION SUMMARY

Big Dalton Dam

Season	Inflow Annual (AF)	Inflow		Outflow Annual (AF)	Peak Inflow	
		Max-Day (CFS)	Min-Day (CFS)		Date	Q (CFS)
1969-70	728	15.0	.0	610.0	Feb 28	91.0
1970-71	856	22.0	.0	1,100.0	Dec 21	38.0
1971-72	217	10.0	+		Dec 27	11.0
1972-73	1,386	100.0	+	1,046.0	Feb 11	163.0
1973-74	860	43.0	.0	1,030.0	Jan 07	68.0
1974-75	379	4.0	.0	211.0	Mar 06	7.8
1975-76	237	6.0	.0	467.0	Mar 01	17.0
1976-77	171	3.0	.0	20.0	Jan 03	14.0
1977-78	6,182	232.0	.0	6,234.0	Mar 04	500.0
1978-79	R.I.					N.D.
1979-80	R.I.					N.D.
1980-81	349	5.0	.0	364.0	Jan 29	29.0
1981-82	1,018	50.0	.0	923.0	Mar 17	53.0
1982-83	5,562	240.0	.0	5,532.0	Mar 01	350.0
1983-84	703	8.0	.0	704.0	Dec 25	16.0
1984-85	611	10.0	.0	585.0	Dec 19	16.0
1985-86	886	20.0	.0	865.0	Mar 16	3.0
1986-87	203	4.0	.0	196.0	Jan 04	3.0
1987-88	342	7.0	.0	324.0	Jan 17	17.0
1988-89	382	13.0	.0	340.0	Feb 04	31.0
1989-90	112	3.0	.0	90.0	Feb 17	8.0
1990-91	470	26.0	.0	453.0	Mar 27	62.0
1991-92	1,259	37.0	.0	1,243.0	Feb 12	121.0
1992-93	7,102	322.0	.0	7,146.0	Jan 18	385.0
1993-94	369	3.0	.0	300.0	Feb 07	4.0
1994-95	3,839	73.0	.0	3,820.0	Jan 10	127.0
1995-96	1,247	54.0	.0	1,215.0	Feb 20	96.0
1996-97	1,127	7.6	.0	1,108.0		N.D.

N.D. Not determined

R.I. Records incomplete

+ Less than 0.05 Acre Feet or less than 0.05 CFS, but greater than 0

RESERVOIRS – YEARLY RESERVOIR OPERATION SUMMARY

Big Tujunga Dam

Season	Inflow Annual (AF)	Inflow		Outflow Annual (AF)	Peak Inflow	
		Max-Day (CFS)	Min-Day (CFS)		Date	Q (CFS)
1932-33	4,342	218.0	.0	4,518.0		N.D.
1933-34	4,441	994.0	.0	4,234.0	Jan 01	2,430.0
1934-35	11,992	380.0	.0	10,698.0	Apr 08	718.0
1935-36	3,875	130.0	.0	5,508.0	Feb 12	312.0
1936-37	26,969	803.0	.6	25,729.0	Feb 06	1,740.0
1937-38	64,855	12,030.0	1.0	65,022.0	Mar 02	32,940.0
1938-39	9,905	327.0	1.2	9,106.0	Dec 19	666.0
1939-40	7,058	337.0	.4	7,197.0	Jan 08	2,300.0
1940-41	59,402	1,200.0	.9	59,086.0	Mar 04	1,570.0
1941-42	7,120	70.0	.8	7,724.0	Dec 10	134.0
1942-43	52,877	5,700.0	1.1	52,919.0	Jan 23	17,850.0
1943-44	42,270	2,780.0	5.0	41,722.0	Feb 22	4,770.0
1944-45	13,206	475.0	1.2	12,231.0	Nov 11	1,850.0
1945-46	11,543	1,150.0	.8	12,383.0	Mar 30	2,310.0
1946-47	12,987	674.0	.9	12,827.0	Nov 13	1,690.0
1947-48	2,679	44.0	.7	3,579.0	Apr 29	85.0
1948-49	2,129	16.0	.1	1,645.0	Mar 11	18.0
1949-50	2,029	32.0	.2	1,905.0	Feb 06	43.0
1950-51	841	7.7	.1	1,235.0	Apr 29	17.0
1951-52	27,288	896.0	.3	26,125.0	Jan 18	2,030.0
1952-53	3,496	35.0	.1	4,873.0	Nov 15	108.0
1953-54	5,389	212.0	.1	5,290.0	Jan 25	500.0
1954-55	2,623	30.0	.2	2,282.0	Jan 18	52.0
1955-56	3,026	233.0	.4	3,433.0	Jan 26	582.0
1956-57	1,967	107.0	.1	1,660.0	Jan 13	283.0
1957-58	27,558	1,220.0	.1	27,563.0	Apr 03	2,860.0
1958-59	3,405	172.0	.1	3,152.0	Jan 06	213.0
1959-60	1,183	12.0	.3	1,653.0	Jan 12	24.0
1960-61	838	14.0	.4	718.0	Nov 06	35.0
1961-62	16,711	2,540.0	.4	16,776.0	Feb 11	5,050.0
1962-63	1,715	90.0	.2	1,359.0	Feb 10	237.0
1963-64	1,526	40.0	.0	2,039.0	Jan 22	90.0
1964-65	2,429	60.0	.4	1,503.0	Apr 09	165.0
1965-66	30,772	2,810.0	.6	29,779.0	Dec 29	10,800.0
1966-67	30,158	1,180.0	1.6	30,338.0	Dec 06	2,600.0
1967-68	10,584	352.0	1.0	11,446.0	Nov 21	725.0
1968-69	107,609	7,800.0	.0	106,462.0	Feb 25	17,800.0
1969-70	11,643	372.0	1.5	11,624.0	Mar 01	613.0
1970-71	12,394	1,100.0	2.1	11,412.0	Nov 29	3,970.0
1971-72	4,118	194.0	.5	3,374.0	Dec 24	462.0

N.D. Not determined

R.I. Records incomplete

+ Less than 0.05 Acre Feet or less than 0.05 CFS, but greater than 0

RESERVOIRS – YEARLY RESERVOIR OPERATION SUMMARY

Big Tujunga Dam

Season	Inflow Annual (AF)	Inflow		Outflow Annual (AF)	Peak Inflow	
		Max-Day (CFS)	Min-Day (CFS)		Date	Q (CFS)
1972-73	15,375	1,914.0	.5	14,680.0	Feb 11	6,320.0
1973-74	8,663	256.0	.9	5,582.0	Jan 07	561.0
1974-75	5,442	198.0	.3	8,666.0	Mar 06	315.0
1975-76	4,482	408.0	.1	3,863.0	Feb 09	1,400.0
1976-77	3,928	164.0	1.2	3,547.0	Jan 03	878.0
1977-78	R.I.					N.D.
1978-79	R.I.					N.D.
1979-80	R.I.					N.D.
1980-81	10,927	226.0	3.0	11,470.0	Jan 29	496.0
1981-82	16,578	569.0	3.8	16,557.0	Mar 17	1,499.0
1982-83	95,294	7,065.0	3.8	93,880.0	Mar 01	10,007.0
1983-84	10,861	337.0	.0	11,314.0	Dec 25	808.0
1984-85	7,362	200.0	.7	6,952.0	Dec 19	361.0
1985-86	12,370	529.0	.4	11,757.0	Jan 30	969.0
1986-87	2,943	28.0	.0	2,843.0	Jan 04	53.0
1987-88	7,121	190.0	.0	6,902.0	Feb 29	685.0
1988-89	4,300	91.0	.0	4,208.0	Feb 10	131.0
1989-90	929	41.0	.0	741.0	Feb 17	62.0
1990-91	8,074	530.0	.0	7,992.0	Mar 01	1,871.0
1991-92	31,767	1,249.0	.1	31,414.0	Feb 12	5,167.0
1992-93	89,492	3,490.0	.2	89,311.0	Feb 19	7,774.0
1993-94	8,635	80.0	.0	9,241.0	Feb 08	170.0
1994-95	34,562	1,005.0	.2	34,532.0	Jan 10	3,608.0
1995-96	8,491	477.0	1.1	7,970.0	Feb 21	530.0
1996-97	9,025	156.0	.3	8,080.0		N.D.

N.D. Not determined

R.I. Records incomplete

+ Less than 0.05 Acre Feet or less than 0.05 CFS, but greater than 0

RESERVOIRS – YEARLY RESERVOIR OPERATION SUMMARY

Cogswell Dam

Season	Inflow Annual (AF)	Inflow		Outflow Annual (AF)	Peak Inflow	
		Max-Day (CFS)	Min-Day (CFS)		Date	Q (CFS)
1934-35	3,517	54.0	.1	3,517.0		N.D.
1935-36	7,154	265.0	.0	7,138.0		N.D.
1936-37	32,986	943.0	.1	32,996.0	Feb 14	1,240.0
1937-38	60,336	7,990.0	1.4	58,799.0	Mar 02	24,710.0
1938-39	11,560	673.0	.9	11,369.0	Sep 25	1,360.0
1939-40	9,634	309.0	.8	9,569.0	Jan 08	2,020.0
1940-41	61,270	1,400.0	.5	59,951.0	Feb 20	1,640.0
1941-42	6,080	108.0	.3	7,331.0	Dec 10	294.0
1942-43	54,700	2,320.0	.7	53,703.0	Jan 23	15,000.0
1943-44	38,150	2,860	1.4	37,460.0	Feb 22	4,650.0
1944-45	11,887	424.0	1.4	10,385.0	Nov 11	1,600.0
1945-46	14,711	1,260.0	.8	16,377.0	Mar 30	2,790.0
1946-47	20,135	1,030.0	.1	20,135.0	Dec 25	2,290.0
1947-48	3,103	86.0	.3	3,032.0	Apr 29	262.0
1948-49	2,911	32.0	.3	2,765.0	Jan 20	65.0
1949-50	3,778	99.0	.4	3,536.0	Dec 18	239.0
1950-51	887	9.6	.3	568.0	Apr 29	24.0
1951-52	33,783	1,260.0	.3	25,439.0	Jan 16	2,640.0
1952-53	4,410	70.0	.8	12,345.0	Dec 01	254.0
1953-54	8,004	412.0	.3	7,500.0	Jan 24	1,030.0
1954-55	3,941	51.0	.3	3,165.0	Apr 30	176.0
1955-56	4,070	419.0	.1	3,564.0	Jan 26	1,040.0
1956-57	3,421	225.0	.2	3,757.0	Jan 13	685.0
1957-58	36,476	1,460.0	.0	34,530.0	Apr 03	3,710.0
1958-59	4,904	340.0	.4	6,205.0	Jan 06	1,760.0
1959-60	1,935	27.0	.5	2,006.0	Jan 10	65.0
1960-61	1,106	36.0	.4	572.0	Jan 26	116.0
1961-62	25,497	3,480.0	.3	23,255.0	Feb 11	7,010.0
1962-63	3,220	153.0	.6	4,783.0	Feb 09	1,017.0
1963-64	2,587	89.0	.4	2,647.0	Apr 01	276.0
1964-65	5,037	266.0	.3	4,159.0	Apr 09	479.0
1965-66	41,747	2,640.0	.3	42,170.0	Dec 29	9,220.0
1966-67	40,504	1,860.0	.6	32,757.0	Dec 06	4,650.0
1967-68	9,569	338.0	.6	12,713.0	Nov 19	893.0
1968-69	95,676	6,380.0	.1	90,488.0	Jan 25	15,700.0
1969-70	10,222	410.0	1.0	13,859.0	Feb 28	1,020.0
1970-71	10,822	1,030.0	.8	11,683.0	Nov 29	2,930.0
1971-72	4,009	297.0	.4	4,557.0	Dec 24	798.0
1972-73	19,613	2,210.0	.4	16,632.0	Feb 11	6,970.0
1973-74	12,746	424.0	1.1	12,051.0	Jan 07	880.0

N.D. Not determined

R.I. Records incomplete

+ Less than 0.05 Acre Feet or less than 0.05 CFS, but greater than 0

RESERVOIRS – YEARLY RESERVOIR OPERATION SUMMARY

Cogswell Dam

Season	Inflow Annual (AF)	Inflow		Outflow Annual (AF)	Peak Inflow	
		Max-Day (CFS)	Min-Day (CFS)		Date	Q (CFS)
1974-75	6,610	241.0	1.1	8,344.0	Mar 06	432.0
1975-76	5,550	509.0	.1	5,040.0	Feb 09	824.0
1976-77	4,955	206.0	.3	5,000.0	Jan 03	421.0
1977-78	86,754	3,852.0	.0	86,030.0	Feb 10	11,200.0
1978-79	23,057	519.0	1.9	24,083.0	Jan 05	343.0
1979-80	59,867	3,028.0	1.8	57,887.0	Feb 16	6,196.0
1980-81	5,299	127.0	.0	7,752.0	Jan 29	511.0
1981-82	14,258	605.0	.4	9,059.0	Mar 17	1,238.0
1982-83	77,775	3,966.0	1.4	78,446.0	Mar 02	5,898.0
1983-84	9,561	272.0	2.8	12,495.0	Dec 25	790.0
1984-85	7,167	284.0	.0	6,383.0	Dec 19	531.0
1985-86	15,584	560.0	.6	15,314.0	Feb 15	916.0
1986-87	2,194	35.0	.1	2,669.0	Jan 04	63.0
1987-88	11,621	282.0	.0	10,919.0	Mar 01	528.0
1988-89	4,953	99.0	.0	5,105.0	Feb 04	175.0
1989-90	1,903	61.0	.0	1,775.0	Feb 18	99.0
1990-91	10,229	605.0	.0	10,921.0	Mar 01	1,063.0
1991-92	39,922	2,352.0	.2	39,922.0	Feb 11	5,231.0
1992-93	83,608	2,330.0	.0	78,936.0	Feb 19	4,135.0
1993-94	6,896	105.0	.2	11,142.0	Feb 08	162.0
1994-95	41,056	1,002.0	.1	41,072.0	Jan 10	2,479.0
1995-96	8,780	496.0	.1	8,777.0	Feb 20	1,056.0
1996-97	9,428	192.0	.2	8,089.0		N.D.

N.D. Not determined

R.I. Records incomplete

+ Less than 0.05 Acre Feet or less than 0.05 CFS, but greater than 0

RESERVOIRS – YEARLY RESERVOIR OPERATION SUMMARY

Devil's Gate Dam

Season	Inflow Annual (AF)	Inflow		Outflow Annual (AF)	Peak Inflow	
		Max-Day (CFS)	Min-Day (CFS)		Date	Q (CFS)
1933-34	2,938	757.0	.0	.0	Jan 01	3,310.0
1934-35	3,843	N.D.	.0	N.D.	Oct 17	1,310.0
1935-36	3,457	N.D.	.0	86.0	Feb 02	939.0
1936-37	12,030	340.0	.0	2,818.0	Feb 06	852.0
1937-38	25,436	3,720.0	.0	17,496.0	Mar 02	10,840.0
1938-39	3,044	200.0	.0	634.0	Dec 19	201.0
1939-40	1,350	142.0	.0	745.0	Jan 08	859.0
1940-41	27,013	1,380.0	.0	24,582.0	Feb 20	3,870.0
1941-42	689	91.0	.0	443.0	Dec 10	479.0
1942-43	25,655	2,560.0	.0	23,552.0	Jan 23	7,740.0
1943-44	8,680	1,450.0	.0	7,905.0	Feb 22	2,310.0
1944-45	2,341	288.0	.0	2,031.0	Nov 11	949.0
1945-46	2,994	435.0	.0	1,343.0	Dec 22	1,040.0
1946-47	4,045	285.0	.0	3,949.0	Dec 25	1,280.0
1947-48	260	32.0	.0	57.0	Mar 24	444.0
1948-49	185	14.0	.0	37.0	Mar 10	59.0
1949-50	318	37.0	.0	81.0	Feb 06	237.0
1950-51	171	18.0	.0	17.0	Jan 11	468.0
1951-52	11,508	792.0	.0	11,377.0	Jan 16	2,650.0
1952-53	563	51.0	.0	194.0	Nov 15	823.0
1953-54	1,324	178.0	.0	488.0	Jan 25	565.0
1954-55	651	50.0	.0	154.0	Jan 18	334.0
1955-56	2,229	591.0	.0	1,339.0	Jan 26	1,420.0
1956-57	926	111.0	.0	142.0	Feb 23	795.0
1957-58	9,642	447.0	.0	6,508.0	Apr 03	1,020.0
1958-59	1,055	160.0	.0	465.0	Jan 06	1,280.0
1959-60	1,052	40.0	.0	131.0	Jan 11	329.0
1960-61	1,035	131.0	.0	488.0	Nov 06	1,260.0
1961-62	7,014	970.0	.0	5,260.0	Feb 11	1,840.0
1962-63	1,215	289.0	.0	251.0	Feb 09	1,290.0
1963-64	860	81.0	.0	170.0	Jan 21	727.0
1964-65	1,721	170.0	.0	246.0	Apr 09	755.0
1965-66	15,667	1,340.0	.0	13,199.0	Nov 22	3,740.0
1966-67	16,391	934.0	.0	6,057.0	Dec 06	2,130.0
1967-68	6,858	698.0	.0	2,233.0	Nov 19	1,310.0
1968-69	44,817	4,220.0	.0	39,164.0	Jan 25	7,910.0
1969-70	2,109	202.0	.0	1,311.0	Mar 04	534.0
1970-71	3,098	682.0	.0	1,894.0	Nov 29	1,760.0
1971-72	798	152.0	.0	+	Dec 24	433.0
1972-73	8,298	1,517.0	.0	5,615.0	Feb 11	3,520.0

N.D. Not determined

R.I. Records incomplete

+ Less than 0.05 Acre Feet or less than 0.05 CFS, but greater than 0

RESERVOIRS – YEARLY RESERVOIR OPERATION SUMMARY

Devil's Gate Dam

Season	Inflow Annual (AF)	Inflow		Outflow Annual (AF)	Peak Inflow	
		Max-Day (CFS)	Min-Day (CFS)		Date	Q (CFS)
1973-74	4,032	589.0	.0	2,749.0	Jan 07	1,100.0
1974-75	2,024	237.0	.0	711.0	Mar 06	451.0
1975-76	2,172	281.0	.0	1,204.0	Sep 10	869.0
1976-77	1,682	177.0	.0	1,593.0	Jan 03	587.0
1977-78	R.I.				Mar 04	6,941.0
1978-79	R.I.				Mar 28	269.0
1979-80	R.I.				Feb 16	2793*
1980-81	1,857	84.0	.0	2,337.0	Jan 29	802.0
1981-82	6,574	199.0	.0	6,569.0	Mar 17	272.0
1982-83	26,491	2,571.0	.0	26,338.0	Mar 02	3,419.0
1983-84	937	100.0	.0	1,074.0	Oct 01	105.0
1984-85	1,320	129.0	.0	1,320.0	Dec 19	480.0
1985-86	2,877	166.0	.0	2,877.0	Feb 15	282.0
1986-87	N.D.	N.D.		N.D.	Jan 04	202.0
1987-88	2,346	96.0	.0	2,346.0	Oct 31	226.0
1988-89	113	18.0	.0	113.0	Dec 16	54.0
1989-90	142	12.0	.0	142.0	Feb 17	88.0
1990-91	4,997	523.0	.0	4,997.0	Mar 01	924.0
1991-92	19,885	1,310.0	.0	19,885.0	Feb 12	3,107.0
1992-93	60,794	1,134.0	.0	60,793.0	Jan 17	2,213.0
1993-94	1,456	21.0	.0	1,456.0	Feb 17	25.0
1994-95	21,173	1,030.0	.0	21,173.0	Jan 10	2,493.0
1995-96	3,119	414.0	.0	3,120.0	Feb 21	584.0
1996-97	R.I.					N.D.

N.D. Not determined

R.I. Records incomplete

+ Less than 0.05 Acre Feet or less than 0.05 CFS, but greater than 0

RESERVOIRS – YEARLY RESERVOIR OPERATION SUMMARY

Eaton Wash Dam

Season	Inflow Annual (AF)	Inflow		Outflow Annual (AF)	Peak Inflow	
		Max-Day (CFS)	Min-Day (CFS)		Date	Q (CFS)
1936-37	3,062	112.0	.0	1,502.0		N.D.
1937-38	6,993	883.0	.0	5,213.0	Mar 02	2,670.0
1938-39	340	51.0	.0	84.0	Dec 18	169.0
1939-40	390	31.0	.0	96.0	Jan 08	220.0
1940-41	7,323	188.0	.0	6,089.0	Feb 20	426.0
1941-42	78	11.0	.0	.0	Dec 10	73.0
1942-43	7,212	498.0	.0	6,399.0	Jan 23	1,700.0
1943-44	2,901	265.0	.0	1,970.0	Feb 22	371.0
1944-45	331	52.0	.0	101.0	Nov 11	204.0
1945-46	514	77.0	.0	265.0	Dec 23	284.0
1946-47	746	74.0	.0	507.0	Nov 13	286.0
1947-48	64	11.0	.0	5.0	Apr 28	90.0
1948-49	36	4.7	.0	1.2	Jan 20	10.0
1949-50	188	23.0	.0	61.0	Dec 18	88.0
1950-51	44	3.8	.0	7.5	Jan 11	80.0
1951-52	2,636	151.0	.0	2,020.0	Jan 16	495.0
1952-53	145	18.0	.0	.0	Dec 01	225.0
1953-54	533	56.0	.0	202.0	Jan 19	220.0
1954-55	146	14.0	.0	.0	Jan 18	91.0
1955-56	330	123.0	.0	151.0	Jan 26	422.0
1956-57	127	20.0	.0	9.2	Feb 23	138.0
1957-58	3,114	150.0	.0	2,248.0	Apr 01	443.0
1958-59	301	46.0	.0	152.0	Jan 06	702.0
1959-60	60	5.8	.0	.0	Jan 11	48.0
1960-61	61	10.0	.0	.0	Jan 26	39.0
1961-62	1,729	322.0	.0	1,299.0	Feb 11	737.0
1962-63	177	51.0	.0	19.0	Feb 09	198.0
1963-64	222	38.0	.0	33.0	Jan 22	246.0
1964-65	534	49.0	.0	328.0	Apr 09	220.0
1965-66	5,400	415.0	.0	4,267.0	Dec 29	1,520.0
1966-67	3,856	317.0	.0	1,907.0	Dec 06	595.0
1967-68	1,304	133.0	.0	404.0	Nov 19	331.0
1968-69	20,866	1,110	.0	18,644.0	Jan 25	2,540.0
1969-70	718	90.0	.0	527.0	Mar 05	878.0
1970-71	809	178.0	.0	581.0	Nov 29	457.0
1971-72	207	42.0	.0	+	Dec 27	107.0
1972-73	4,299	532.0	.0	2,844.0	Feb 11	587.0
1973-74	2,420	200.0	.0	1,607.0	Jan 07	309.0
1974-75	672	79.0	.0	418.0	Mar 06	81.0
1975-76	893	74.0	.0	424.0	Mar 01	175.0

N.D. Not determined

R.I. Records incomplete

+ Less than 0.05 Acre Feet or less than 0.05 CFS, but greater than 0

RESERVOIRS – YEARLY RESERVOIR OPERATION SUMMARY

Eaton Wash Dam

Season	Inflow Annual (AF)	Inflow		Outflow Annual (AF)	Peak Inflow	
		Max-Day (CFS)	Min-Day (CFS)		Date	Q (CFS)
1976-77	461	36.0	.0	281.0	Jan 03	191.0
1977-78	R.I.					N.D.
1978-79	R.I.					N.D.
1979-80	R.I.					N.D.
1980-81	578	45.0	.0	587.0	Mar 01	195.0
1981-82	1,676	121.0	.0	1,530.0	Mar 17	200.0
1982-83	19,050	732.0	.0	18,941.0	Mar 02	1,982.0
1983-84	1,918	61.0	.0	1,929.0	Dec 25	188.0
1984-85	701	23.0	.0	698.0	Dec 19	23.0
1985-86	1,937	56.0	.0	1,933.0	Jan 30	223.0
1986-87	N.D.	27.0	.0	N.D.	Jan 04	23.0
1987-88	848	55.0	.0	649.0	Feb 29	228.0
1988-89	322	26.0	.0	182.0	Dec 16	74.0
1989-90	233	40.0	.0	131.0	Feb 17	63.0
1990-91	1,602	127.0	.0	1,589.0	Mar 01	239.0
1991-92	5,693	295.0	.0	5,678.0	Feb 11	1,068.0
1992-93	14,662	340.0	.0	14,661.0	Jan 07	937.0
1993-94	1,100	26.0	.0	984.0	Feb 08	51.0
1994-95	7,500	225.0	.0	7,461.0	Jan 10	757.0
1995-96	1,891	158.0	.0	1,865.0	Feb 20	266.0
1996-97	R.I.					N.D.

N.D. Not determined

R.I. Records incomplete

+ Less than 0.05 Acre Feet or less than 0.05 CFS, but greater than 0

RESERVOIRS – YEARLY RESERVOIR OPERATION SUMMARY

Live Oak Dam

Season	Inflow Annual (AF)	Inflow		Outflow Annual (AF)	Peak Inflow	
		Max-Day (CFS)	Min-Day (CFS)		Date	Q (CFS)
1932-33	0	.0	.0	.0		.0
1933-34	N.D.	N.D.	N.D.	142.0		N.D.
1934-35	27	2.3	.0	27.0	Apr 08	16.0
1935-36	N.D.	4.1	.0	.0		N.D.
1936-37	494	35.0	.0	413.0	Feb 06	.0
1937-38	800	147.0	.0	785.0	Mar 02	339.0
1938-39	21	1.0	.0	3.2	Feb 03	1.4
1939-40	16	1.2	.0	1.4	Jan 08	11.0
1940-41	719	39.0	.0	718.0	Mar 04	90.0
1941-42	0	+	+	.0		+
1942-43	827	78.0	.0	827.0	Jan 22	170.0
1943-44	218	33.0	.0	218.0	Feb 22	74.0
1944-45	177	9.4	.0	177.0	Feb 02	67.0
1945-46	105	22.0	.0	89.0	Dec 23	127.0
1946-47	64	7.5	.0	45.0	Nov 20	25.0
1947-48	0	.0	.0	.0		N.D.
1948-49	0	.0	.0	.0		N.D.
1949-50	5	.3	.0	3.6	Dec 19	2.6
1950-51	0	.0	.0	.0		N.D.
1951-52	362	34.0	.0	343.0	Jan 16	148.0
1952-53	2	+	.0	3.2	Dec 01	.8
1953-54	78	13.0	.0	64.0	Jan 25	82.0
1954-55	0	+	.0	.3		N.D.
1955-56	77	25.0	.0	72.0	Jan 26	128.0
1956-57	2	.1	.0	.1	Jan 13	1.1
1957-58	699	38.0	.0	699.0	Apr 03	67.0
1958-59	6	.8	.0	5.4	Jan 06	9.2
1959-60	0	.0	.0	.0		N.D.
1960-61	5	.7	.0	.0	Nov 06	22.0
1961-62	186	29.0	.0	111.0	Nov 20	366.0
1962-63	13	5.8	.0	5.4	Feb 09	23.0
1963-64	5	.8	.0	.0	Mar 22	6.2
1964-65	20	6.8	.0	15.0	Apr 09	58.0
1965-66	243	23.0	.0	241.0	Nov 22	116.0
1966-67	699	112.0	+	672.0	Dec 06	360.0
1967-68	131	6.0	.0	130.0	Mar 08	39.0
1968-69	2,146	152.0	.0	2,115.0	Jan 25	403.0
1969-70	258	8.4	.0	258.0	Feb 28	14.0
1970-71	243	7.2	.0	243.0	Dec 21	16.0
1971-72	71	3.5	.0	71.0	Dec 24	5.0

N.D. Not determined

R.I. Records incomplete

+ Less than 0.05 Acre Feet or less than 0.05 CFS, but greater than 0

RESERVOIRS – YEARLY RESERVOIR OPERATION SUMMARY

Live Oak Dam

Season	Inflow Annual (AF)	Inflow		Outflow Annual (AF)	Peak Inflow	
		Max-Day (CFS)	Min-Day (CFS)		Date	Q (CFS)
1972-73	291	34.0	.0	290.0	Feb 11	52.0
1973-74	132	13.0	.0	132.0	Jan 07	31.0
1974-75	71	2.0	.0	61.0	Mar 06	14.0
1975-76	30	2.5	.0	24.0	Mar 01	7.2
1976-77	32	2.0	.0	33.0	Jan 03	13.0
1977-78	1,517	70.9	.0	1,517.0	Mar 04	187.0
1978-79	655	18.1	.0	655.0	Mar 27	43.4
1979-80	R.I.					N.D.
1980-81	240	3.0	.0	237.0	Mar 02	4.0
1981-82	421	19.0	.0	421.0	Mar 18	32.0
1982-83	1,778	72.0	.0	1,780.0	Mar 01	144.0
1983-84	447	12.0	.0	448.0	Dec 25	47.0
1984-85	162	3.6	.0	162.0	Dec 19	5.0
1985-86	192	4.4	.0	192.0	Feb 16	7.0
1986-87	37	.8	.0	37.0	Jan 04	10.0
1987-88	70	2.7	.0	69.0	Jan 17	4.0
1988-89	96	6.0	.0	93.0	Feb 04	11.0
1989-90	51	2.0	.0	51.0	Feb 17	3.0
1990-91	205	22.0	.0	204.0	Mar 01	44.0
1991-92	277	26.0	.0	277.0	Feb 12	112.0
1992-93	1,762	55.0	.0	1,759.0	Jan 07	68.0
1993-94	230	2.8	.0	235.0	Mar 19	17.0
1994-95	820	32.0	.0	820.0	Jan 10	86.0
1995-96	357	37.0	.0	357.0	Feb 20	75.0
1996-97	R.I.					N.D.

N.D. Not determined

R.I. Records incomplete

+ Less than 0.05 Acre Feet or less than 0.05 CFS, but greater than 0

RESERVOIRS – YEARLY RESERVOIR OPERATION SUMMARY

Morris Dam

Season	Inflow Annual (AF)	Inflow		Outflow Annual (AF)	Peak Inflow	
		Max-Day (CFS)	Min-Day (CFS)		Date	Q (CFS)
1937-38	339,303	18,590.0	.0	337,955.0	Mar 02	70,300.0
1938-39	62,367	890.0	.0	75,278.0	Dec 20	N.D.
1939-40	41,367	439.0	1.0	51,030.0	Mar 06	N.D.
1940-41	294,818	4,137.0	1.0	263,819.0	Feb 20	4,230.0
1941-42	21,562	419.0	.1	16,504.0	Nov 07	N.D.
1942-43	251,552	10,380.0	.0	247,717.0	Jan 23	12,660.0
1943-44	149,889	2,667.0	.0	147,194.0	May 25	5,840.0
1944-45	49,942	1,291.0	.0	47,340.0	Mar 26	3,590.0
1945-46	53,467	987.0	.0	62,578.0	Apr 04	4,880.0
1946-47	60,442	3,369.0	.0	55,718.0	Dec 28	9,300.0
1947-48	14,004	973.0	.0	17,392.0	Dec 12	2,380.0
1948-49	5,387	799.0	.0	3,777.0	Jun 02	N.D.
1949-50	1,901	70.0	.0	834.0	Dec 05	N.D.
1950-51	5,066	180.0	.0	3,446.0	Apr 21	N.D.
1951-52	76,910	3,188.0	.0	69,966.0	Jan 16	5,200.0
1952-53	47,762	1,003.0	.0	52,075.0	Nov 03	1,280.0
1953-54	30,334	1,574.0	.0	29,069.0	Apr 10	3,590.0
1954-55	1,593	299.0	.0	557.0	Apr 15	N.D.
1955-56	3,994	491.0	.0	816.0	Sep 19	N.D.
1956-57	9,962	659.0	.0	10,574.0	Apr 12	667.0
1957-58	216,335	2,418.0	.0	213,390.0	Apr 05	2,740.0
1958-59	10,152	378.0	.0	9,665.0	Feb 16	444.0
1959-60	2,688	359.0	.0	994.0	Jul 09	N.D.
1960-61	6,006	459.0	.0	889.0	May 16	N.D.
1961-62	74,783	1,847.0	.0	73,031.0	Feb 15	2,160.0
1962-63	1,708	99.0	.0	1,957.0	Feb 09	N.D.
1963-64	1,001	36.0	.0	922.0	Jan 21	N.D.
1964-65	10,093	1,426.0	.0	8,908.0	Jun 05	1,430.0
1965-66	200,376	9,263.0	.0	193,965.0	Dec 29	10,330.0
1966-67	203,232	3,872.0	.0	193,246.0	Dec 06	5,320.0
1967-68	35,015	567.0	.0	32,902.0	May 06	675.0
1968-69	554,905	19,290.0	12.0	554,687.0	Feb 25	29,690.0
1969-70	68,267	1,558.0	.0	66,131.0	Mar 01	1,800.0
1970-71	27,828	496.0	.0	31,319.0	Dec 29	497.0
1971-72	21,193	298.0	.0	15,445.0	Jan 05	302.0
1972-73	N.D.	840.0	.0	114,349.0	Feb 11	924.0
1973-74	27,471	1,054.0	.0	30,553.0	Jan 08	3,410.0
1974-75	9,838	313.0	.2	7,366.0	Nov 20	389.0
1975-76	2,270	47.0	.2	2,110.0	Sep 30	125.0
1976-77						N.D.

N.D. Not determined

R.I. Records incomplete

+ Less than 0.05 Acre Feet or less than 0.05 CFS, but greater than 0

RESERVOIRS – YEARLY RESERVOIR OPERATION SUMMARY
--

Morris Dam

Season	Inflow Annual (AF)	Inflow		Outflow Annual (AF)	Peak Inflow	
		Max-Day (CFS)	Min-Day (CFS)		Date	Q (CFS)
1977-78						N.D.
1978-79						N.D.
1979-80						N.D.
1980-81						N.D.
1981-82						N.D.
1982-83						N.D.
1983-84						N.D.
1984-85						N.D.
1985-86						N.D.
1986-87						N.D.
1987-88						N.D.
1988-89						N.D.
1989-90						N.D.
1990-91						N.D.
1991-92						N.D.
1992-93						N.D.
1993-94						N.D.
1994-95	207,136	3,858.0	1.3	201,716.0	Jan 10	3,131.0
1995-96	41,898	454.0	1.3	47,242.0	Feb 20	372.0
1996-97	38,827	313.0	1.5	38,822.0		N.D.

N.D. Not determined

R.I. Records incomplete

+ Less than 0.05 Acre Feet or less than 0.05 CFS, but greater than 0

RESERVOIRS – YEARLY RESERVOIR OPERATION SUMMARY

Pacoima Dam

Season	Inflow Annual (AF)	Inflow		Outflow Annual (AF)	Peak Inflow	
		Max-Day (CFS)	Min-Day (CFS)		Date	Q (CFS)
1929-30	1,110	N.D.	N.D.	965.0		N.D.
1930-31	1,082	N.D.	N.D.	886.0		N.D.
1931-32	8,741	N.D.	N.D.	8,443.0		N.D.
1932-33	2,160	101.0	.0	2,119.0		N.D.
1933-34	3,454	N.D.	N.D.	3,493.0	Jan 01	914.0
1934-35	5,569	84.0	.0	5,556.0		N.D.
1935-36	3,098	88.0	.0	3,094.0	Feb 12	248.0
1936-37	15,737	356.0	.0	14,210.0	Feb 14	508.0
1937-38	25,878	2,360.0	.0	26,796.0	Mar 02	8,320.0
1938-39	3,525	86.0	.0	3,080.0	Dec 19	145.0
1939-40	3,209	156.0	.0	3,133.0	Jan 08	928.0
1940-41	25,785	536.0	.0	25,942.0	Mar 04	815.0
1941-42	1,920	48.0	.1	2,032.0	Dec 29	85.0
1942-43	20,698	1,250.0	.1	20,407.0	Jan 23	2,650.0
1943-44	15,004	898.0	.4	15,167.0	Feb 22	1,790.0
1944-45	4,866	206.0	.4	4,911.0	Feb 02	494.0
1945-46	4,600	332.0	.0	2,904.0	Mar 30	564.0
1946-47	4,356	149.0	.0	6,029.0	Nov 20	282.0
1947-48	369	6.4	.1	335.0	Apr 29	12.0
1948-49	723	10.0	.1	740.0	Mar 05	17.0
1949-50	1,063	19.0	.1	1,019.0	Feb 06	26.0
1950-51	142	1.3	.0	69.0	Apr 29	2.4
1951-52	16,794	681.0	.0	4,325.0	Jan 16	1,290.0
1952-53	967	8.5	.0	3,500.0	Dec 01	32.0
1953-54	2,952	107.0	.1	2,941.0	Jan 25	272.0
1954-55	748	18.0	.1	737.0	Apr 30	25.0
1955-56	1,466	90.0	.0	1,252.0	Jan 27	179.0
1956-57	573	9.8	.0	773.0	Jan 13	14.0
1957-58	15,818	714.0	.0	15,808.0	Apr 03	1,180.0
1958-59	783	29.0	.0	708.0	Jan 06	184.0
1959-60	131	.9	.0	271.0	Jan 11	2.2
1960-61	59	6.3	.0	11.0	Nov 12	60.0
1961-62	6,326	584.0	.1	6,279.0	Feb 11	811.0
1962-63	384	8.1	.1	228.0	Feb 10	19.0
1963-64	529	8.3	.1	722.0	Jan 22	56.0
1964-65	1,313	70.0	.1	1,048.0	Apr 09	160.0
1965-66	15,553	647.0	.0	15,214.0	Nov 22	2,010.0
1966-67	23,605	698.0	.4	23,600.0	Dec 06	1,380.0
1967-68	3,843	76.0	.0	3,833.0	Nov 21	107.0
1968-69	43,398	2,860.0	.0	42,998.0	Feb 25	4,710.0

N.D. Not determined

R.I. Records incomplete

+ Less than 0.05 Acre Feet or less than 0.05 CFS, but greater than 0

RESERVOIRS – YEARLY RESERVOIR OPERATION SUMMARY

Pacoima Dam

Season	Inflow Annual (AF)	Inflow		Outflow Annual (AF)	Peak Inflow	
		Max-Day (CFS)	Min-Day (CFS)		Date	Q (CFS)
1969-70	2,717	99.0	.4	2,308.0	Mar 01	276.0
1970-71	4,806	118.0	.5	4,994.0	Nov 29	384.0
1971-72	1,062	36.0	.2	802.0	Dec 26	91.0
1972-73	7,726	696.0	.1	7,383.0	Feb 11	1,640.0
1973-74	4,197	168.0	.2	4,154.0	Jan 08	532.0
1974-75	2,279	48.0	.1	2,526.0	Mar 06	97.0
1975-76	1,622	58.0	.1	1,614.0	Feb 09	102.0
1976-77	1,424	43.0	.3	507.0	Jan 03	213.0
1977-78	R.I.					N.D.
1978-79	R.I.					N.D.
1978-80	R.I.					N.D.
1980-81	2,731	66.0	.0	3,440.0	Jan 29	167.0
1981-82	5,979	226.0	.3	4,867.0	Mar 17	590.0
1982-83	43,336	2,359.0	.5	44,566.0	Mar 01	4,671.0
1983-84	3,521	88.0	.2	1,386.0	Dec 25	153.0
1984-85	2,853	79.0	.0	3,651.0	Dec 20	104.0
1985-86	7,886	279.0	.0	7,015.0	Feb 15	161.0
1986-87	638	7.0	.0	224.0	Jan 04	9.0
1987-88	3,522	52.0	.1	3,441.0	Oct 23	93.0
1988-89	2,398	40.0	.0	2,065.0	Feb 04	72.0
1989-90	784	27.0	.0	817.0	Feb 17	59.0
1990-91	3,520	127.0	.0	3,222.0	Mar 27	140.0
1991-92	N.D.	5,212.0	.0	N.D.	Feb 10	1,180.0
1992-93	40,473	929.0	.1	39,814.0	Jan 13	1,186.0
1993-94	2,465	27.0	.0	3,354.0	Feb 08	46.0
1994-95	23,547	351.0	.0	23,710.0	Jan 10	1,073.0
1995-96	7,655	389.0	.0	7,710.0	Feb 21	532.0
1996-97	6,497	163.0	1.2	5,417.0		N.D.

N.D. Not determined

R.I. Records incomplete

+ Less than 0.05 Acre Feet or less than 0.05 CFS, but greater than 0

RESERVOIRS – YEARLY RESERVOIR OPERATION SUMMARY

Puddingstone Dam

Season	Inflow Annual (AF)	Inflow		Outflow Annual (AF)	Peak Inflow	
		Max-Day (CFS)	Min-Day (CFS)		Date	Q (CFS)
1928-29	114	12.0	.0	151.0		N.D.
1929-30	295	15.0	.0	223.0		N.D.
1930-31	73	9.0	.0	119.0		N.D.
1931-32	1,547	162.0	.0	1,086.0		N.D.
1932-33	314	30.0	.0	906.0		N.D.
1933-34	2,669	596.0	.0	1,809.0		N.D.
1934-35	610	N.D.	N.D.	846.0	Jan 15	205.0
1935-36	703	54.0	.0	969.0	Apr 10	590.0
1936-37	5,732	303.0	.0	2,173.0	Feb 06	1,480.0
1937-38	12,221	2,200.0	.0	7,544.0	Mar 02	5,310.0
1938-39	1,576	101.0	.0	5,305.0		N.D.
1939-40	646	54.0	.0	2,524.0	Jan 07	448.0
1940-41	12,030	377.0	.0	3,308.0	Mar 04	1,080.0
1941-42	475	30.0	.0	4,385.0	Dec 10	409.0
1942-43	10,043	1,130.0	.0	4,836.0	Jan 23	2,300.0
1943-44	3,408	525.0	.0	3,178.0	Feb 22	1,030.0
1944-45	1,615	139.0	.0	2,376.0	Nov 11	484.0
1945-46	1,591	275.0	.0	6,009.0	Dec 23	929.0
1946-47	1,414	96.0	.0	788.0	Nov 13	445.0
1947-48	324	31.0	.0	362.0	Dec 05	195.0
1948-49	336A	21.0	.0	201.0	Mar 13	240.0
1949-50	493	55.0	.0	140.0	Feb 06	178.0
1950-51	182	15.0	.0	145.0	Jan 29	162.0
1951-52	4,673	353.0	.0	1,857.0	Jan 16	952.0
1952-53	928	32.0	.0	1,140.0	Dec 01	358.0
1953-54	31282A	244.0	.0	31,609.0	Jan 25	600.0
1954-55	26065A	255.0	.0	23,287.0	Nov 11	338.0
1955-56	57309A	458.0	.0	50,771.0	Jan 26	1,360.0
1956-57	50583A	216.0	.0	53,781.0	Jan 13	262.0
1957-58	6,670	302.0	.0	1,976.0	Apr 03	690.0
1958-59	394	68.0	.0	72.0	Jan 06	871.0
1959-60	837	80.0	.0	40.0	Jan 12	148.0
1960-61	10900A	198.0	.0	9,416.0	Nov 06	179.0
1961-62	4,463	173.0	.0	33.0	Dec 02	963.0
1962-63	927	139.0	.0	464.0	Feb 10	325.0
1963-64	594	43.0	.0	.0	Jan 22	242.0
1964-65	2,675	153.0	.0	7,401.0	Apr 09	1,770.0
1965-66	10,456	444.0	.0	3,066.0	Nov 22	1,590.0
1966-67	11,508	1,090.0	.0	9,988.0	Dec 06	2,440.0
1967-68	15,811	174.0	.0	14,275.0	Mar 08	760.0

N.D. Not determined

R.I. Records incomplete

+ Less than 0.05 Acre Feet or less than 0.05 CFS, but greater than 0

RESERVOIRS – YEARLY RESERVOIR OPERATION SUMMARY

Puddingstone Dam

Season	Inflow Annual (AF)	Inflow		Outflow Annual (AF)	Peak Inflow	
		Max-Day (CFS)	Min-Day (CFS)		Date	Q (CFS)
1968-69	36,802	2,830.0	.0	35,754.0	Jan 25	4,340.0
1969-70	1,650	163.0	.2	+	Mar 01	507.0
1970-71	1,494	149.0	.1	4,094.0	Dec 18	365.0
1971-72	1,007	186.0	+	+	Dec 24	538.0
1972-73	4,038	341.0	.1	+	Feb 11	604.0
1973-74	2,409	1,070.0	.1	1,069.0	Jan 07	660.0
1974-75	1,832	153.0	.0	1,832.0	Dec 04	769.0
1975-76	2,644	180.0	.1	.0	Sep 10	493.0
1976-77	2,655	138.0	.1	197.0	Jan 03	812.0
1977-78	R.I.					N.D.
1978-79	R.I.					N.D.
1979-80	R.I.					N.D.
1980-81	2,115	154.0	.0	515.0	Jan 29	1,132.0
1981-82	4,731	350.0	.0	2,598.0	Mar 18	810.0
1982-83	15,956	764.0	.0	15,238.0	Mar 01	2,570.0
1983-84	2,791	192.0	.0	2,048.0	Dec 25	1,159.0
1984-85	2,688	143.0	.0	873.0	Dec 18	236.0
1985-86	4,888	241.0	.0	3,150.0	Mar 16	1,058.0
1986-87	1,989	291.0	.0	1,118.0	Jan 04	854.0
1987-88	4,010	143.0	.0	2,373.0	Jan 17	422.0
1988-89	3,539	117.0	.0	2,045.0	Feb 04	211.0
1989-90	2,545	235.0	.0	977.0	Feb 17	683.0
1990-91	4,461	371.0	.0	2,932.0	Mar 01	1,270.0
1991-92	6,781	407.0	.0	5,333.0	Feb 12	959.0
1992-93	30,324	909.0	.0	28,674.0	Jan 18	1,992.0
1993-94	2,884	78.0	.1	1,322.0	Feb 07	212.0
1994-95	11,261	537.0	.1	9,927.0	Jan 10	1,411.0
1995-96	4,587	438.0	.0	3,275.0	Feb 20	1,460.0
1996-97	5,421	200.0	.0	4,382.0		N.D.

N.D. Not determined

R.I. Records incomplete

+ Less than 0.05 Acre Feet or less than 0.05 CFS, but greater than 0

RESERVOIRS – YEARLY RESERVOIR OPERATION SUMMARY

Puddingstone Diversion

Season	Inflow Annual (AF)	Inflow		Outflow Annual (AF)	Peak Inflow	
		Max-Day (CFS)	Min-Day (CFS)		Date	Q (CFS)
1935-36	304	48.0	.0	304.0	Apr 10	85.0
1936-37	5,019	104.0	.0	4,646.0		N.D.
1937-38	11,697	1,640.0	.0	11,506.0	Mar 02	5,760.0
1938-39	1,288	28.0	.0	1,293.0	Jan 10	23.0
1939-40	350	26.0	.0	155.0	Jan 08	33.0
1940-41	7,213	133.0	.0	6,776.0	Mar 14	155.0
1941-42	341	13.0	.0	203.0	Dec 12	24.0
1942-43	8,593	970.0	.0	7,939.0	Jan 23	2,040.0
1943-44	3,406	357.0	.0	3,010.0	Feb 22	724.0
1944-45	1,719	64.0	.0	1,294.0	Feb 02	88.0
1945-46	970	159.0	.0	773.0	Dec 23	234.0
1946-47	1,400	55.0	.0	1,109.0	Dec 26	58.0
1947-48	0	.0	.0	.0		N.D.
1948-49	0	.0	.0	.0		N.D.
1949-50	0	.0	.0	.0		N.D.
1950-51	0	.0	.0	.0		N.D.
1951-52	3,366	158.0	.0	2,910.0	Jan 16	201.0
1952-53	0	.0	.0	.0		N.D.
1953-54	628	57.0	.0	429.0	Feb 14	82.0
1954-55	0	.0	.0	.0		N.D.
1955-56	196	34.0	.0	128.0	Jan 26	93.0
1956-57	0	.0	.0	.0		N.D.
1957-58	5,938	227.0	.0	5,172.0	Apr 03	284.0
1958-59	89	14.0	.0	49.0	Feb 18	18.0
1959-60	0	.0	.0	.0		N.D.
1960-61	146	11.0	.0	64.0	Nov 26	137.0
1961-62	3,277	152.0	.0	3,106.0	Nov 20	2,110.0
1962-63	827	95.0	.0	515.0	Feb 09	640.0
1963-64	112	19.0	.0	67.0	Jan 22	55.0
1964-65	873	69.0	.0	538.0	Apr 09	239.0
1965-66	6,471	320.0	.0	5,864.0	Nov 22	864.0
1966-67	13,656	958.0	.0	12,140.0	Dec 06	2,230.0
1967-68	2,744	62.0	.0	2,180.0	Nov 30	125.0
1968-69	35,110	2,610.0	.0	34,200.0	Jan 25	5,600.0
1969-70	4,005	27.0	.0	2,788.0	Mar 04	62.0
1970-71	2,181	35.0	.0	1,524.0	Dec 21	61.0
1971-72	764	15.0	.0	488.0	Dec 24	56.0
1972-73	3,746	163.0	.0	3,321.0	Feb 11	219.0
1973-74	1,660	75.0	.0	1,371.0	Jan 07	110.0
1974-75	969	15.0	.0	786.0	Mar 06	46.0

N.D. Not determined

R.I. Records incomplete

+ Less than 0.05 Acre Feet or less than 0.05 CFS, but greater than 0

RESERVOIRS – YEARLY RESERVOIR OPERATION SUMMARY

Puddingstone Diversion

Season	Inflow Annual (AF)	Inflow		Outflow Annual (AF)	Peak Inflow	
		Max-Day (CFS)	Min-Day (CFS)		Date	Q (CFS)
1975-76	423	9.1	.0	333.0	Mar 01	16.0
1976-77	844	29.0	.0	578.0	Jan 03	57.0
1977-78	R.I.					N.D.
1978-79	R.I.					N.D.
1979-80	R.I.					N.D.
1980-81	2,025	21.0	.0	1,877.0	Jan 29	44.0
1981-82	2,856	122.0	.0	2,831.0	Mar 18	260.0
1982-83	18,257	705.0	.0	18,272.0	Mar 01	1,867.0
1983-84	3,267	54.0	.0	3,259.0	Dec 25	84.0
1984-85	1,353	37.0	.0	1,294.0	Dec 18	40.0
1985-86	1,324	99.0	.0	1,201.0	Mar 16	104.0
1986-87	686	18.0	.0	702.0	Jan 04	49.0
1987-88	927	38.0	.0	823.0	Jan 17	214.0
1988-89	1,060	76.0	.0	927.0	Feb 04	111.0
1989-90	228	48.0	.0	193.0	Feb 17	78.0
1990-91	2,079	54.0	.0	2,024.0	Feb 28	195.0
1991-92	3,289	163.0	.0	3,277.0	Feb 12	264.0
1992-93	25,714	698.0	.0	25,686.0	Jan 18	757.0
1993-94	1,475	14.0	.0	1,488.0	Feb 07	23.0
1994-95	11,349	211.0	.0	11,349.0	Jan 10	252.0
1995-96	3,045	71.0	.0	3,044.0	Feb 20	161.0
1996-97	2,468	84.0	.0	2,440.0		N.D.

N.D. Not determined

R.I. Records incomplete

+ Less than 0.05 Acre Feet or less than 0.05 CFS, but greater than 0

RESERVOIRS – YEARLY RESERVOIR OPERATION SUMMARY

San Dimas Dam

Season	Inflow Annual (AF)	Inflow		Outflow Annual (AF)	Peak Inflow	
		Max-Day (CFS)	Min-Day (CFS)		Date	Q (CFS)
1928-29	N.D.	N.D.	.0	N.D.		N.D.
1929-30	591	28.0	.0	573.0		N.D.
1930-31	585	23.0	.0	466.0		N.D.
1931-32	2,502	162.0	.0	2,496.0		N.D.
1932-33	652	50.0	.0	648.0		N.D.
1933-34	1,351	229.0	.0	1,357.0	Jan 01	422.0
1934-35	1,753	60.0	.0	1,682.0	Apr 08	145.0
1935-36	1,094	35.0	.0	1,136.0	Feb 11	155.0
1936-37	6,316	154.0	.0	6,126.0	Feb 06	296.0
1937-38	12,492	1,600.0	.4	12,494.0	Mar 02	4,920.0
1938-39	2,165	43.0	.2	2,024.0	Jan 05	80.0
1939-40	1,532	60.0	.0	1,600.0	Jan 08	302.0
1940-41	9,645	131.0	.1	9,240.0	Mar 04	235.0
1941-42	1,603	16.0	.2	1,855.0	Dec 10	29.0
1942-43	9,271	573.0	.5	9,095.0	Jan 23	1,700.0
1943-44	5,348	398.0	.1	5,423.0	Feb 22	785.0
1944-45	3,747	97.0	.9	3,811.0	Nov 11	375.0
1945-46	2,560	149.0	.1	2,368.0	Dec 23	519.0
1946-47	2,705	100.0	.1	2,982.0	Nov 20	340.0
1947-48	720	10.0	.0	706.0	Feb 05	15.0
1948-49	728	11.0	.1	694.0	Jan 20	19.0
1949-50	734	25.0	.1	750.0	Dec 18	65.0
1950-51	300	5.3	.1	301.0	Apr 29	16.0
1951-52	4,864	208.0	.1	4,593.0	Jan 16	453.0
1952-53	822	9.8	.1	1,092.0	Dec 01	25.0
1953-54	1,514	97.0	.1	1,501.0	Jan 25	327.0
1954-55	561	11.0	.1	526.0	Jan 18	27.0
1955-56	736	98.0	.1	767.0	Jan 26	362.0
1956-57	452	12.0	.1	433.0	Jan 13	41.0
1957-58	6,786	299.0	.0	6,503.0	Apr 03	753.0
1958-59	931	37.0	.1	1,239.0	Feb 16	189.0
1959-60	408	6.7	.1	455.0	Feb 08	11.0
1960-61	468	31.0	.1	250.0	Nov 05	397.0
1961-62	3,206	224.0	+	2,664.0	Nov 20	2,520.0
1962-63	1,001	81.0	.1	1,108.0	Feb 09	440.0
1963-64	680	20.0	.1	711.0	Jan 22	121.0
1964-65	1,118	53.0	.0	1,175.0	Apr 09	232.0
1965-66	6,494	305.0	.2	6,326.0	Dec 29	1,010.0
1966-67	12,352	674.0	.0	11,598.0	Dec 06	1,720.0
1967-68	3,148	80.0	.1	3,058.0	Nov 19	414.0

N.D. Not determined

R.I. Records incomplete

+ Less than 0.05 Acre Feet or less than 0.05 CFS, but greater than 0

RESERVOIRS – YEARLY RESERVOIR OPERATION SUMMARY

San Dimas Dam

Season	Inflow Annual (AF)	Inflow		Outflow Annual (AF)	Peak Inflow	
		Max-Day (CFS)	Min-Day (CFS)		Date	Q (CFS)
1968-69	28,645	1,710.0	.7	28,808.0	Jan 25	3,620.0
1969-70	4,314	71.0	.7	4,736.0	Mar 01	114.0
1970-71	2,465	70.0	.5	2,125.0	Nov 29	127.0
1971-72	1,040	33.0	.2	1,217.0	Dec 24	77.0
1972-73	4,252	346.0	.7	4,000.0	Feb 11	685.0
1973-74	2,447	121.0	.3	2,389.0	Jan 07	185.0
1974-75	1,487	28.0	.1	1,566.0	Mar 06	67.0
1975-76	1,002	52.0	.1	926.0	Sep 10	443.0
1976-77	1,094	41.0	.0	1,146.0	Jan 03	260.0
1977-78	R.I.					
1978-79	R.I.					
1979-80	19,951	673.0	2.3	18,715.0	Feb 16	2,549.0
1980-81	3,016	37.0	.8	3,216.0	Jan 29	147.0
1981-82	3,848	161.0	.2	3,700.0	Mar 17	295.0
1982-83	17,632	527.0	.0	17,381.0	Mar 01	1,559.0
1983-84	3,816	55.0	.0	4,330.0	Dec 25	115.0
1984-85	2,554	45.0	.6	2,560.0	Dec 19	67.0
1985-86	2,401	55.0	.0	2,415.0	Mar 16	89.0
1986-87	N.D.	10.0	.1	N.D.	Jan 05	13.0
1987-88	1,821	54.0	.0	1,216.0	Jan 17	157.0
1988-89	1,122	35.0	.0	1,225.0	Feb 04	96.0
1989-90	731	28.0	.0	462.0	Feb 17	93.0
1990-91	1,967	112.0	.0	2,361.0	Mar 27	236.0
1991-92	4,037	143.0	.0	3,938.0	Feb 12	403.0
1992-93	24,941	651.0	.0	24,446.0	Jan 14	945.0
1993-94	2,295	17.0	.2	2,424.0	Feb 07	31.0
1994-95	10,102	177.0	.8	9,801.0	Jan 10	363.0
1995-96	4,036	149.0	.2	4,097.0	Feb 20	418.0
1996-97	13,175	81.0	.0	2,988.0		N.D.

N.D. Not determined

R.I. Records incomplete

+ Less than 0.05 Acre Feet or less than 0.05 CFS, but greater than 0

RESERVOIRS – YEARLY RESERVOIR OPERATION SUMMARY

San Gabriel Dam

Season	Inflow Annual (AF)	Inflow		Outflow Annual (AF)	Peak Inflow	
		Max-Day (CFS)	Min-Day (CFS)		Date	Q (CFS)
1937-38	339,155	30,720.0	37.0	332,893.0	Mar 02	89,320.0
1938-39	67,231	1,330.0	23.0	61,655.0	Dec 19	2,780.0
1939-40	58,554	757.0	18.0	63,386.0	Jan 08	2,270.0
1940-41	306,801	3,940.0	20.0	305,515.0	Feb 20	5,780.0
1941-42	50,285	297.0	20.0	49,759.0	Dec 29	468.0
1942-43	271,286	17,180.0	20.0	267,085.0	Jan 23	46,000.0
1943-44	184,923	5,710.0	43.0	184,622.0	Feb 22	9,860.0
1944-45	91,961	1,300.0	28.0	90,131.0	Nov 11	6,440.0
1945-46	99,531	2,980.0	28.0	89,502.0	Dec 21	5,760.0
1946-47	107,688	3,340.0	18.0	104,088.0	Dec 26	6,520.0
1947-48	29,259	257.0	9.9	37,794.0	Apr 29	506.0
1948-49	24,728	94.0	11.0	21,546.0	Jan 20	120.0
1949-50	27,797	266.0	9.5	27,736.0	Dec 19	448.0
1950-51	10,169	54.0	3.0	13,002.0	Jan 11	174.0
1951-52	159,048	3,340.0	3.9	118,918.0	Jan 16	6,130.0
1952-53	41,270	375.0	7.5	77,961.0	Dec 01	544.0
1953-54	60,515	1,280.0	8.3	56,517.0	Jan 25	2,940.0
1954-55	39,159	171.0	18.0	37,304.0	Apr 30	313.0
1955-56	35,215	950.0	14.0	38,127.0	Jan 26	2,250.0
1956-57	37,210	1,090.0	15.0	35,069.0	Jan 13	2,850.0
1957-58	230,745	4,270.0	21.0	229,610.0	Apr 03	6,900.0
1958-59	43,762	1,030.0	14.0	43,100.0	Jan 06	3,080.0
1959-60	19,474	112.0	5.0	19,258.0	Apr 28	168.0
1960-61	12,041	122.0	2.2	12,698.0	Nov 05	634.0
1961-62	116,890	6,350.0	3.4	112,380.0	Feb 11	13,960.0
1962-63	25,930	512.0	6.2	24,587.0	Feb 09	2,440.0
1963-64	24,009	287.0	5.2	22,601.0	Apr 01	504.0
1964-65	36,281	396.0	5.5	34,427.0	Apr 09	1,070.0
1965-66	220,689	9,030.0	12.0	217,503.0	Dec 29	27,180.0
1966-67	224,903	6,700.0	30.0	224,538.0	Dec 06	12,420.0
1967-68	66,761	697.0	26.0	68,771.0	Nov 19	1,620.0
1968-69	527,883	28,020.0	24.0	524,874.0	Jan 25	44,400.0
1969-70	66,842	1,250.0	26.0	66,688.0	Feb 28	2,550.0
1970-71	60,375	2,120.0	29.0	55,358.0	Nov 29	6,400.0
1971-72	34,908	975.0	14.0	38,192.0	Dec 25	1,390.0
1972-73	124,722	5,075.0	14.1	124,333.0	Feb 11	17,430.0
1973-74	72,959	1,140.0	32.0	67,194.0	Jan 07	1,820.0
1974-75	47,681	423.0	27.0	46,194.0	Mar 06	880.0
1975-76	38,598	978.0	18.0	33,781.0	Sep 11	1,630.0
1976-77	36,322	407.0	15.0	34,846.0	Jan 03	1,137.0

N.D. Not determined

R.I. Records incomplete

+ Less than 0.05 Acre Feet or less than 0.05 CFS, but greater than 0

RESERVOIRS – YEARLY RESERVOIR OPERATION SUMMARY

San Gabriel Dam

Season	Inflow Annual (AF)	Inflow		Outflow Annual (AF)	Peak Inflow	
		Max-Day (CFS)	Min-Day (CFS)		Date	Q (CFS)
1977-78	486,296	13,437.0	14.9	483,712.0	Mar 04	31,730.0
1978-79	158,043	1,647.0	42.9	163,511.0	Mar 28	1,965.0
1979-80	346,155	11,476.0	42.5	344,454.0	Feb 16	24,540.0
1980-81	42,882	281.0	15.0	40,116.0	Jan 29	784.0
1981-82	95,225	1,591.0	19.0	79,833.0	Mar 17	2,869.0
1982-83	404,332	14,585.0	33.0	402,734.0	Mar 01	17,080.0
1983-84	61,069	983.0	13.0	75,284.0	Dec 25	1,568.0
1984-85	46,633	617.0	8.5	46,101.0	Dec 19	742.0
1985-86	103,558	1,252.0	14.0	100,926.0	Jan 30	1,911.0
1986-87	22,847	149.0	3.0	22,919.0	Jan 05	259.0
1987-88	66,101	574.0	3.8	49,337.0	Feb 29	814.0
1988-89	33,435	273.0	4.0	47,683.0	Dec 16	496.0
1989-90	18,979	248.0	2.3	17,008.0	Feb 18	388.0
1990-91	61,479	1,575.0	3.3	39,454.0	Mar 01	4,294.0
1991-92	171,617	5,796.0	.0	193,158.0	Feb 12	11,426.0
1992-93	445,072	10,181.0	.0	429,615.0	Feb 19	12,934.0
1993-94	44,269	312.0	.6	50,441.0	Feb 08	433.0
1994-95	248,268	3,811.0	12.8	242,886.0	Jan 10	6,996.0
1995-96	72,722	2,995.0	2.0	70,533.0	Feb 21	3,822.0
1996-97	66,304	947.0	5.2	64,946.0		N.D.

N.D. Not determined

R.I. Records incomplete

+ Less than 0.05 Acre Feet or less than 0.05 CFS, but greater than 0

RESERVOIRS – YEARLY RESERVOIR OPERATION SUMMARY

Santa Anita Dam

Season	Inflow Annual (AF)	Inflow		Outflow Annual (AF)	Peak Inflow	
		Max-Day (CFS)	Min-Day (CFS)		Date	Q (CFS)
1926-27	1,208	13.0	.4	1,030.0		N.D.
1927-28	1,009	22.0	.1	1,162.0		N.D.
1928-29	1,214	30.0	.0	1,256.0		N.D.
1929-30	1,276	25.0	.1	964.0		N.D.
1930-31	989	34.0	.0	1,155.0		N.D.
1931-32	4,010	236.0	.1	3,883.0		N.D.
1932-33	2,190	152.0	.0	2,022.0	Jan 19	390.0
1933-34	2,603	322.0	.0	2,622.0	Jan 01	800.0
1934-35	3,693	92.0	.1	3,585.0	Apr 08	449.0
1935-36	2,480	84.0	.0	2,535.0	Feb 12	228.0
1936-37	8,798	192.0	.0	8,616.0	Feb 06	313.0
1937-38	16,594	1,780.0	1.3	16,689.0	Mar 02	5,140.0
1938-39	2,726	74.0	.4	2,461.0	Dec 19	159.0
1939-40	2,743	62.0	.4	2,664.0	Jan 08	378.0
1940-41	15,225	239.0	.4	15,235.0	Mar 04	300.0
1941-42	2,070	25.0	.6	2,140.0	Dec 29	53.0
1942-43	19,371	1,110.0	.6	19,440.0	Jan 23	3,100.0
1943-44	7,463	514.0	1.3	7,294.0	Feb 22	813.0
1944-45	4,147	101.0	1.1	4,133.0	Nov 11	303.0
1945-46	3,426	164.0	.8	3,360.0	Dec 23	492.0
1946-47	4,489	122.0	.7	4,462.0	Nov 20	382.0
1947-48	1,075	14.0	.3	1,243.0	Apr 28	41.0
1948-49	1,031	17.0	.2	983.0	Jan 20	32.0
1949-50	1,357	30.0	.2	1,311.0	Dec 18	115.0
1950-51	460	4.5	.1	497.0	Jan 11	10.0
1951-52	8,408	351.0	.1	8,292.0	Jan 16	837.0
1952-53	1,562	20.0	.5	1,729.0	Dec 01	153.0
1953-54	3,302	201.0	.4	3,412.0	Jan 24	1,240.0
1954-55	1,432	18.0	.3	1,437.0	Nov 11	173.0
1955-56	2,218	175.0	.3	2,196.0	Jan 26	569.0
1956-57	1,535	36.0	.5	1,431.0	Feb 23	122.0
1957-58	11,696	298.0	.7	11,715.0	Apr 03	618.0
1958-59	2,183	66.0	.6	2,033.0	Jan 06	622.0
1959-60	954	6.5	.1	1,152.0	Feb 01	16.0
1960-61	527	12.0	.1	407.0	Jan 26	65.0
1961-62	6,328	682.0	.1	6,242.0	Feb 11	1,460.0
1962-63	1,628	56.0	.7	1,848.0	Feb 09	368.0
1963-64	1,219	32.0	+	1,144.0	Apr 01	53.0
1964-65	2,039	50.0	.0	1,988.0	Apr 09	130.0
1965-66	13,102	600.0	.4	12,933.0	Dec 29	1,920.0

N.D. Not determined

R.I. Records incomplete

+ Less than 0.05 Acre Feet or less than 0.05 CFS, but greater than 0

RESERVOIRS – YEARLY RESERVOIR OPERATION SUMMARY

Santa Anita Dam

Season	Inflow Annual (AF)	Inflow		Outflow Annual (AF)	Peak Inflow	
		Max-Day (CFS)	Min-Day (CFS)		Date	Q (CFS)
1966-67	16,245	645.0	1.5	16,261.0	Dec 06	1,520.0
1967-68	3,376	56.0	.1	3,579.0	Nov 19	165.0
1968-69	38,734	2,292.0	.3	38,369.0	Jan 25	5,500.0
1969-70	2,859	85.0	1.0	2,859.0	Feb 28	208.0
1970-71	3,211	184.0	1.0	3,075.0	Nov 29	674.0
1971-72	1,316	36.0	.5	1,249.0	Dec 24	99.0
1972-73	6,414	482.0	.4	6,258.0	Feb 11	1,350.0
1973-74	4,660	174.0	1.2	4,546.0	Jan 07	280.0
1974-75	2,347	36.0	.1	2,647.0	Mar 06	54.0
1975-76	1,580	52.0	.2	1,469.0	Mar 01	101.0
1976-77	1,320	35.0	1.0	1,206.0	Jan 03	200.0
1977-78	R.I.					
1978-79	R.I.					
1979-80	R.I.					
1980-81	2,221	27.0	.6	2,210.0	Jan 29	147.0
1981-82	3,714	127.0	.6	3,652.0	Mar 17	213.0
1982-83	21,246	882.0	.0	21,325.0	Mar 02	1,197.0
1983-84	3,603	57.0	.3	3,586.0	Dec 25	142.0
1984-85	2,363	48.0	.0	2,272.0	Dec 19	102.0
1985-86	4,735	77.0	.4	4,612.0	Jan 30	89.0
1986-87	1,041	7.6	.0	1,174.0	Jan 05	11.0
1987-88	2,490	37.0	.1	2,488.0	Jan 17	87.0
1988-89	1,729	52.0	.0	1,599.0	Feb 04	119.0
1989-90	737	30.0	.0	740.0	Feb 17	117.0
1990-91	2,393	92.0	.0	2,323.0	Mar 01	417.0
1991-92	9,339	390.0	.2	9,292.0	Feb 11	863.0
1992-93	23,546	558.0	.2	23,581.0	Jan 07	909.0
1993-94	1,475	15.0	.0	1,565.0	Mar 24	19.0
1994-95	12,439	242.0	.1	12,281.0	Jan 10	587.0
1995-96	4,494	274.0	.1	4,535.0	Feb 21	481.0
1996-97	4,970	93.0	.1	4,934.0		N.D.

N.D. Not determined

R.I. Records incomplete

+ Less than 0.05 Acre Feet or less than 0.05 CFS, but greater than 0

RESERVOIRS – YEARLY RESERVOIR OPERATION SUMMARY

Sawpit Dam

Season	Inflow Annual (AF)	Inflow		Outflow Annual (AF)	Peak Inflow	
		Max-Day (CFS)	Min-Day (CFS)		Date	Q (CFS)
1927-28	26	N.D.	.0	39.0		N.D.
1928-29	96	5.3	.0	108.0		N.D.
1929-30	219	7.9	.0	208.0		N.D.
1930-31	97	3.9	.0	68.0		N.D.
1931-32	710	56.0	.0	726.0	Feb 09	76.0
1932-33	184	8.6	.0	185.0		N.D.
1933-34	468	106.0	.0	457.0	Jan 01	240.0
1934-35	548	36.0	.0	540.0	Apr 08	168.0
1935-36	574	22.0	.0	574.0	Feb 11	72.0
1936-37	1,434	36.0	.0	1,401.0		N.D.
1937-38	2,909	384.0	.0	2,868.0	Mar 02	1,070.0
1938-39	232	17.0	.0	170.0		N.D.
1939-40	264	11.0	.0	308.0	Jan 08	39.0
1940-41	2,180	63.0	.0	2,195.0	Mar 04	109.0
1941-42	107	3.7	.0	39.0	Dec 29	4.8
1942-43	2,966	162.0	.0	2,950.0	Jan 23	520.0
1943-44	747	73.0	.0	743.0	Feb 22	138.0
1944-45	316	16.0	.0	319.0	Nov 11	59.0
1945-46	254	24.0	.0	250.0	Dec 23	85.0
1946-47	362	23.0	.0	361.0	Nov 20	77.0
1947-48	23	.3	.0	5.1	Apr 28	2.9
1948-49	42	.4	.0	32.0	Mar 10	.9
1949-50	86	21.0	.0	77.0	Dec 18	7.9
1950-51	32	.8	.0	32.0	Jan 11	2.4
1951-52	1,112	60.0	.0	1,092.0	Jan 16	226.0
1952-53	88	3.2	.0	82.0	Dec 01	34.0
1953-54	274	14.0	.0	263.0	Jan 24	105.0
1954-55	142	4.3	.0	139.0	Nov 11	73.0
1955-56	204	37.0	+	210.0	Jan 26	48.0
1956-57	80	.8	.0	65.0	Feb 23	8.1
1957-58	1,371	46.0	.0	1,368.0	Apr 03	112.0
1958-59	815	36.0	.1	804.0	Jan 06	1,600.0
1959-60	201	4.8	+	163.0	Apr 27	70.0
1960-61	111	1.7	.0	144.0	Nov 05	12.0
1961-62	1,269	122.0	.1	1,236.0	Feb 11	282.0
1962-63	256	12.0	.1	256.0	Feb 09	77.0
1963-64	271	3.7	.0	294.0	Jan 21	10.0
1964-65	405	9.7	.1	355.0	Apr 09	27.0
1965-66	2,224	87.0	.0	2,218.0	Dec 29	423.0
1966-67	3,985	157.0	1.1	3,980.0	Dec 06	307.0

N.D. Not determined

R.I. Records incomplete

+ Less than 0.05 Acre Feet or less than 0.05 CFS, but greater than 0

RESERVOIRS – YEARLY RESERVOIR OPERATION SUMMARY

Sawpit Dam

Season	Inflow Annual (AF)	Inflow		Outflow Annual (AF)	Peak Inflow	
		Max-Day (CFS)	Min-Day (CFS)		Date	Q (CFS)
1967-68	1,510	12.0	.8	1,510.0	Nov 19	32.0
1968-69	7,555	635.0	.9	9,498.0	Jan 25	1,060.0
1969-70	1,496	36.0	.5	1,407.0	Feb 28	187.0
1970-71	733	21.0	.4	733.0	Nov 29	70.0
1971-72	521	5.6	.3	521.0	Dec 24	16.0
1972-73	1,449	94.0	.3	1,538.0	Feb 11	350.0
1973-74	1,350	57.0	.1	1,270.0	Jan 07	109.0
1974-75	921	5.9	.5	921.0	Mar 06	15.0
1975-76	646	6.4	.1	646.0	Mar 01	22.0
1976-77	603	7.2	1.0	603.0	Oct 22	74.0
1977-78	4,642	116.1	1.2	4,716.0	Feb 10	250.0
1978-79	2,139	10.0	1.3	2,070.0	Mar 27	19.4
1979-80	5,285	131.2	1.2	5,296.0	Feb 16	404.0
1980-81	1,045	7.2	.4	1,045.0	Jan 29	30.0
1981-82	1,244	39.0	.0	1,307.0	Mar 17	48.0
1982-83	4,587	142.0	.0	4,490.0	Mar 02	300.0
1983-84	1,268	9.3	.0	1,268.0	Dec 25	26.0
1984-85	929	6.7	.5	928.0	Dec 19	25.0
1985-86	1,204	10.0	.0	1,203.0	Mar 16	16.0
1986-87	N.D.	4.2	.0	N.D.	Jan 06	1.5
1987-88	975	7.3	.0	975.0	Mar 01	5.0
1988-89	751	6.7	.0	751.0	Dec 16	11.0
1989-90	534	6.3	.0	527.0	Feb 17	16.0
1990-91	1,113	34.0	.0	1,113.0	Mar 01	77.0
1991-92	1,910	41.0	.4	1,910.0	Feb 12	123.0
1992-93	5,564	67.0	.4	5,563.0	Jan 07	202.0
1993-94	1,555	4.1	.5	1,555.0	Feb 08	6.8
1994-95	35,373	77.0	.5	3,572.0	Jan 10	136.0
1995-96	2,381	38.0	1.4	2,382.0	Feb 21	49.0
1996-97	1,952	11.0	1.5	1,952.0		N.D.

N.D. Not determined

R.I. Records incomplete

+ Less than 0.05 Acre Feet or less than 0.05 CFS, but greater than 0

RESERVOIRS – YEARLY RESERVOIR OPERATION SUMMARY

Thompson Creek Dam

Season	Inflow Annual (AF)	Inflow		Outflow Annual (AF)	Peak Inflow	
		Max-Day (CFS)	Min-Day (CFS)		Date	Q (CFS)
1931-32	81	12.0	.0	81.0	Feb 09	91.0
1932-33	0	.0	.0	.0		N.D.
1933-34	N.D.	N.D.	N.D.	.0		N.D.
1934-35	1	N.D.	N.D.	.0		N.D.
1935-36	1	N.D.	N.D.	.0		N.D.
1936-37	274	24.0	.0	.0		N.D.
1937-38	1,099	259.0	.0	1,096.0	Mar 02	580.0
1938-39	21	.6	.0	.0	Jan 30	1.1
1939-40	49	4.5	.0	.0	Jan 07	26.0
1940-41	640	46.0	.0	2.8	Mar 04	97.0
1941-42	0	+	.0	.0	Dec 10	.5
1942-43	767	121.0	.0	334.0	Jan 23	270.0
1943-44	286	56.0	.0	.0	Feb 22	111.0
1944-45	149	18.0	.0	.0	Nov 12	132.0
1945-46	148	25.0	.0	.0	Dec 23	120.0
1946-47	88	16.0	.0	.0	Nov 20	47.0
1947-48	0	.0	.0	.0		N.D.
1948-49	0	.0	.0	.0		N.D.
1949-50	6	2.0	.0	.0	Dec 19	4.5
1950-51	0	.0	.0	.0		N.D.
1951-52	314	30.0	.0	34.0	Jan 16	70.0
1952-53	12	1.3	.0	.0	Dec 01	8.2
1953-54	194	19.0	.0	.0	Jan 25	172.0
1954-55	4	1.0	.0	.0	Jan 18	1.4
1955-56	58	25.0	.0	.0	Jan 26	117.0
1956-57	4	2.0	.0	.0	Jan 13	5.8
1957-58	389	34.0	.0	219.0	Apr 03	67.0
1958-59	6	1.0	.0	.0	Feb 16	4.7
1959-60	2	.3	.0	.0	Apr 28	5.4
1960-61	5	1.0	.0	.0	Nov 12	3.9
1961-62	101	9.3	.0	.0	Nov 20	190.0
1962-63	88	26.0	.0	17.0	Feb 09	145.0
1963-64	23	4.2	.0	.0	Mar 22	20.0
1964-65	26	9.9	.0	.0	Apr 09	55.0
1965-66	258	34.0	.0	.0	Nov 23	140.0
1966-67	842	200.0	.0	305.0	Dec 06	408.0
1967-68	167	6.8	.0	.0	Nov 19	18.0
1968-69	2,556	279.0	.0	2,061.0	Jan 25	574.0
1969-70	54	4.8	.0	1.6	Mar 01	13.0
1970-71	32	5.5	.0	.0	Dec 21	12.0

N.D. Not determined

R.I. Records incomplete

+ Less than 0.05 Acre Feet or less than 0.05 CFS, but greater than 0

RESERVOIRS – YEARLY RESERVOIR OPERATION SUMMARY

Thompson Creek Dam

Season	Inflow Annual (AF)	Inflow		Outflow Annual (AF)	Peak Inflow	
		Max-Day (CFS)	Min-Day (CFS)		Date	Q (CFS)
1971-72	6	1.3	.0	.0	Dec 27	3.0
1972-73	161	34.0	.0	7.5	Feb 11	58.0
1973-74	37	10.0	.0	37.0	Jan 07	29.0
1974-75	0	.0	.0	.0		N.D.
1975-76	15	3.5	.0	.0	Feb 01	3.5
1976-77	37	6.8	.0	.0		N.D.
1977-78	R.I.					N.D.
1978-79	R.I.					N.D.
1979-80	R.I.					N.D.
1980-81	0	.0	.0	.0		N.D.
1981-82	62	9.4	.0	18.0	Mar 17	40.0
1982-83	1,118	114.0	.0	583.0	Mar 01	377.0
1983-84	70	2.7	.0	11.0	Dec 26	4.0
1984-85	0	.0	.0	.0		N.D.
1985-86	58	9.7	.0	58.0	Mar 16	27.0
1986-87	0	.0	.0	.0		N.D.
1987-88	2	.3	.0	2.1	Jan 17	.9
1988-89	2	.3	.0	2.0	Feb 04	.5
1989-90	6	.5	.0	5.6	Feb 17	.8
1990-91	76	17.0	.0	34.0	Mar 27	20.0
1991-92	190	16.0	.0	190.0	Mar 23	20.0
1992-93	1,267	57.0	.0	1,202.0	Jan 18	166.0
1993-94	0	.1	.0	.4	Mar 19	1.2
1994-95	330	35.0	.0	330.0	Jan 10	82.0
1995-96	392	31.0	.0	392.0	Feb 20	73.0
1996-97	48	11.0	.0	48.0		N.D.

N.D. Not determined

R.I. Records incomplete

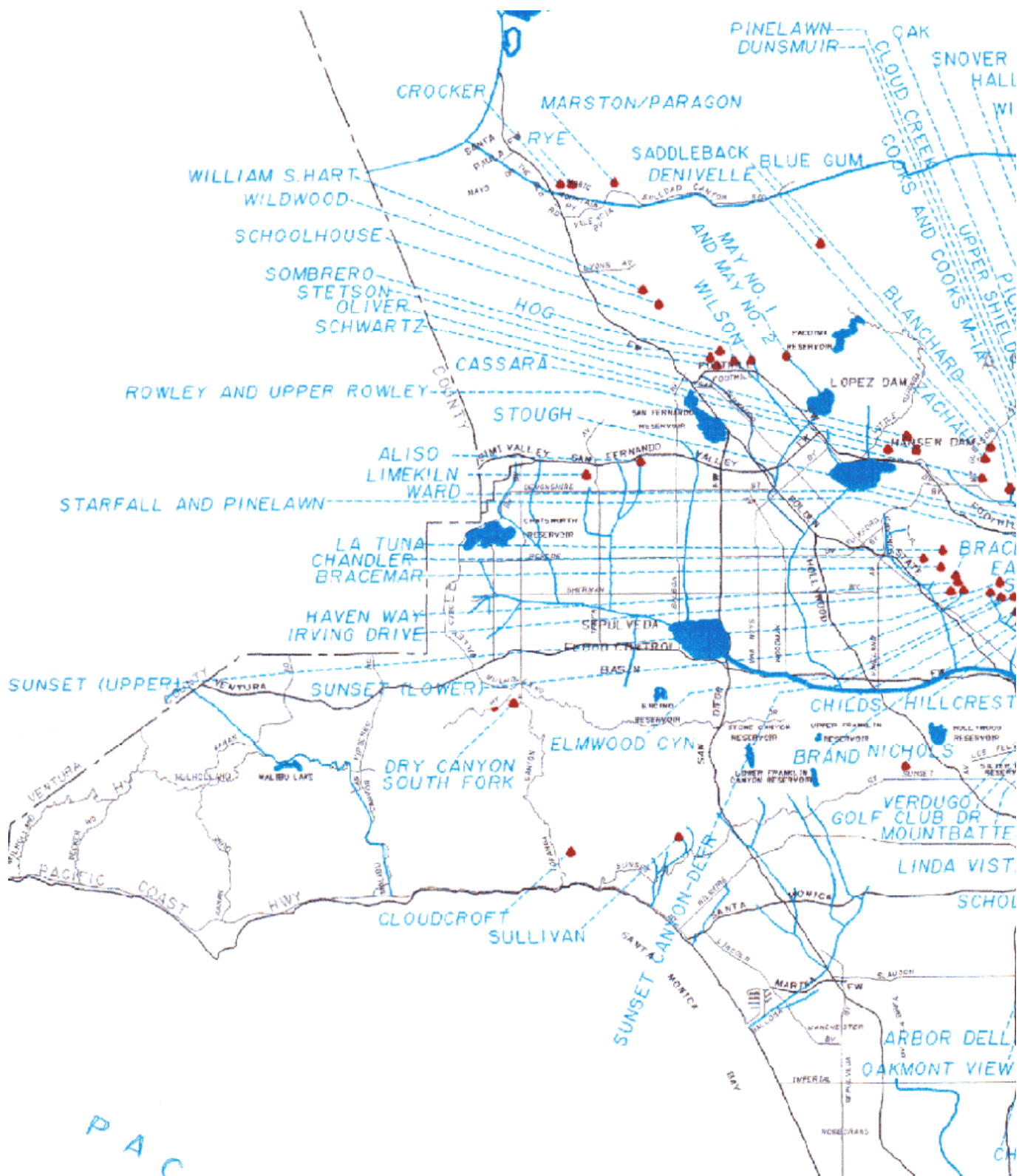
+ Less than 0.05 Acre Feet or less than 0.05 CFS, but greater than 0

APPENDIX E

EROSION CONTROL - LOCATION MAP

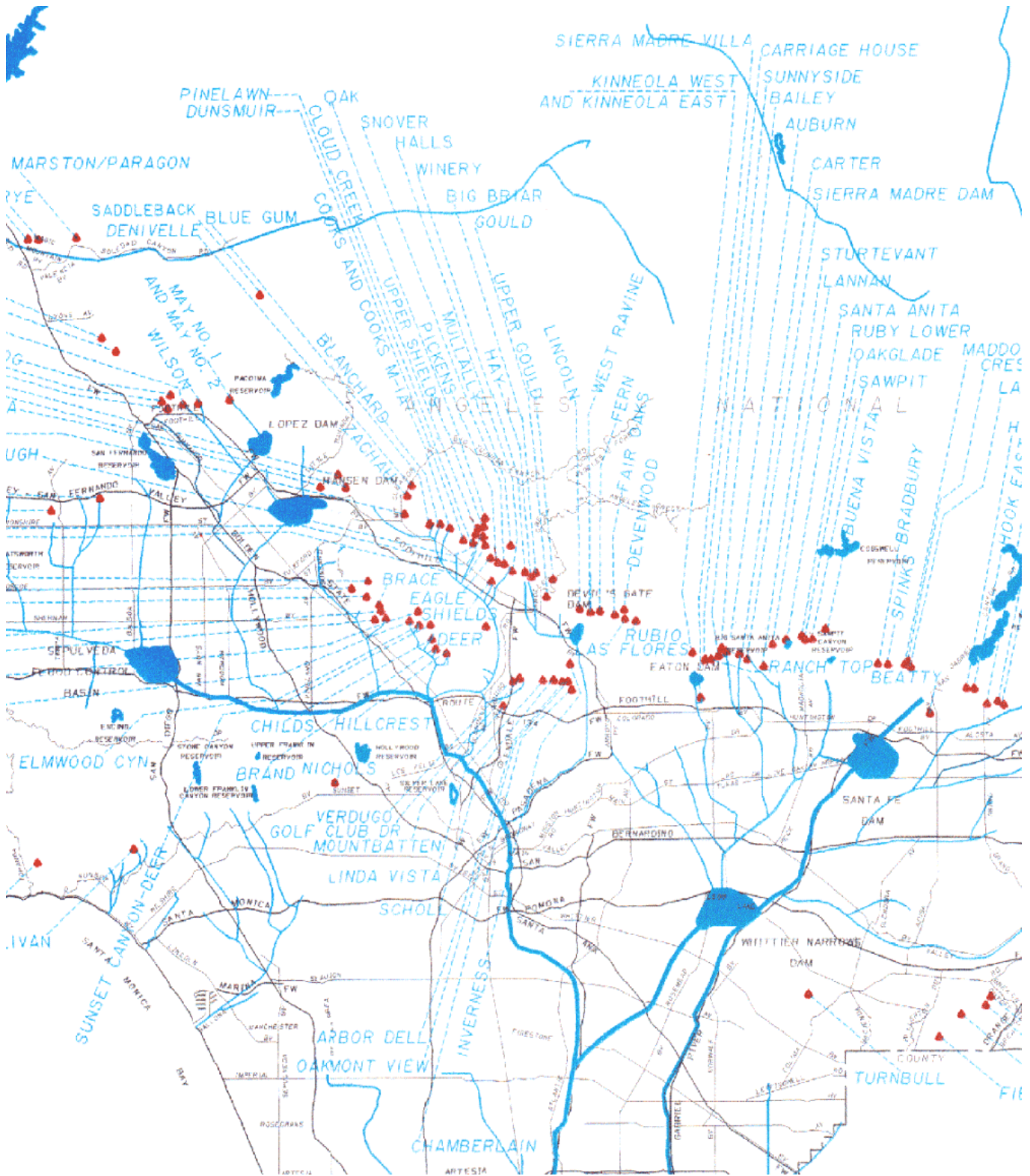
EROSION CONTROL

LOCATION MAP 1 – WEST COUNTY



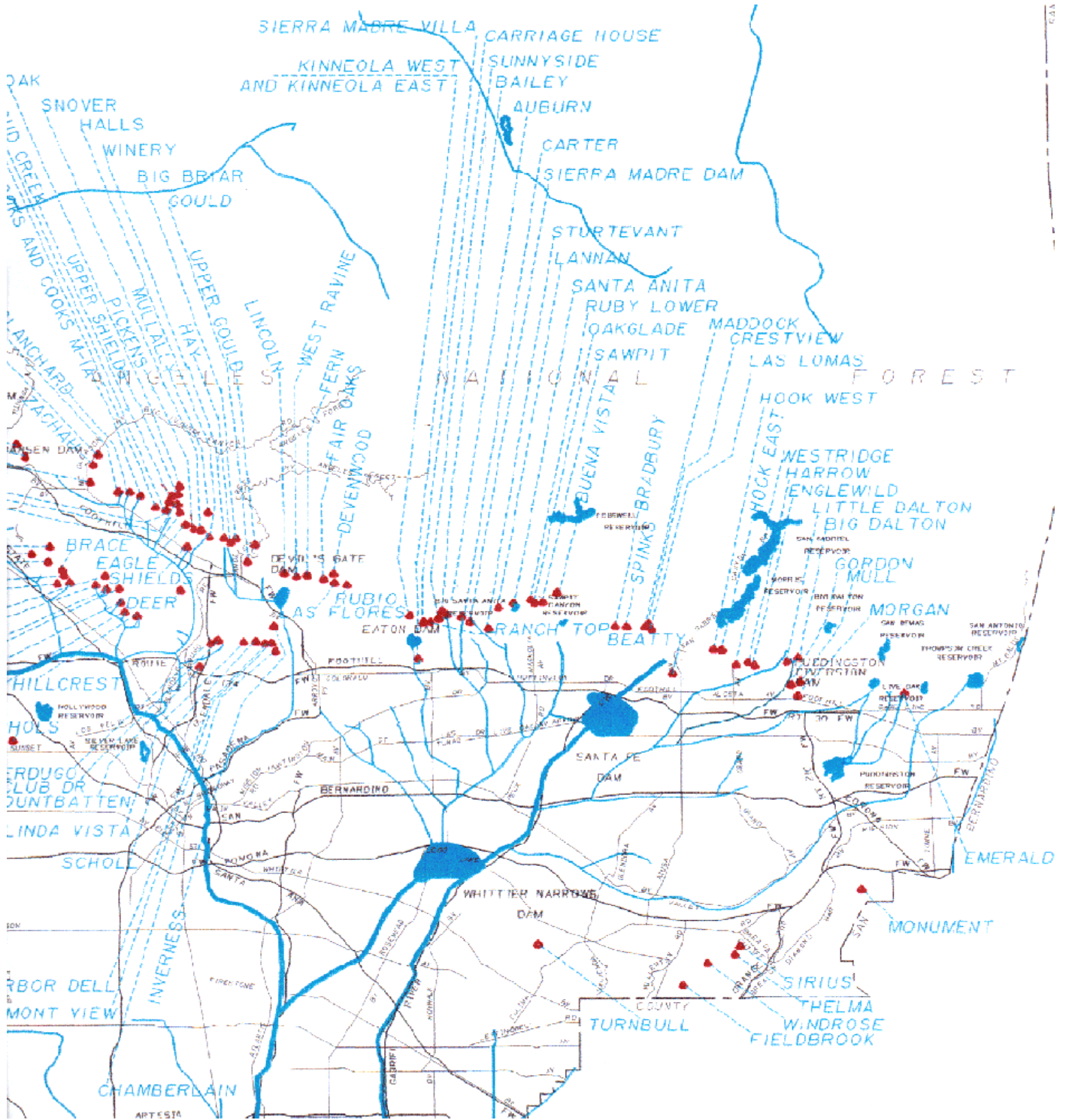
EROSION CONTROL

LOCATION MAP 2 – CENTRAL COUNTY



EROSION CONTROL

LOCATION MAP 3— EAST COUNTY



APPENDIX F

WATER CONSERVATION -DPW FACILITIES

WATER CONSERVATION – LACDPW SPREADING GROUNDS
ARROYO SECO

	Type	SHALLOW
	Season First Used	1948-49
Area	Gross	24 ACRES
	Wetted	15 ACRES
Capacities	Channel**	0 CFS
	Intakes	75 CFS
	Storage	30 AF
	Percolation*	18 CFS
	Location	EASTERLY SIDE OF ARROYO SECO, 0.5 MILES ABOVE DEVIL'S GATE DAM.
	Source of Water	CONTROLLED FLOW FROM CITY OF PASADENA. UNCONTROLLED FROM ARROYO SECO AND THE ALTADENA STORM DRAIN
	Remarks	SPREADING GROUNDS ARE HELD UNDER EASEMENT FROM THE CITY OF PASADENA.
	*	THE CAPACITY LISTED IS ESTIMATES OF INFILTRATION RATES.
	**	DESIGN CAPACITY OF MAIN CHANNEL.

BEN LOMOND

	Type	SHALLOW
	Season First Used	1958-59
Area	Gross	24 ACRES
	Wetted	17 ACRES
Capacities	Channel**	9,000 CFS
	Intakes	400 CFS
	Storage	168 AF
	Percolation*	30 CFS
	Location	BOTH NORTH AND SOUTH SIDES OF SAN DIMAS WASH CHANNEL AT SOUTHWESTERLY CORNER OF INTERSECTION OF ARROW HIGHWAY AND BARRANCA AVENUE.
	Source of Water	COVINA IRRIGATING COMPANY, UNCONTROLLED RUNOFF, IMPORTED.
	Remarks	SPREADING GROUNDS UTILIZED TO CONSERVE EXCESS COVINA IRRIGATION COMPANY WATER RELEASED FROM THE COMMITTEE OF NINE.
	*	THE CAPACITY LISTED IS ESTIMATES OF INFILTRATION RATES.
	**	DESIGN CAPACITY OF MAIN CHANNEL.

BIG DALTON

	Type	SHALLOW
	Season First Used	1930-31
Area	Gross	24 ACRES
	Wetted	8 ACRES
Capacities	Channel**	5,000 CFS
	Intakes	45 CFS
	Storage	12 AF

WATER CONSERVATION – LACDPW SPREADING GROUNDS
--

Percolation*	12 CFS
Location	WESTERLY SIDE OF BIG DALTON WASH, ONE HALF MILE ABOVE SIERRA MADRE AVENUE.
Source of Water	CONTROLLED FLOWS FROM BIG DALTON DAM AND BIG DALTON DEBRIS BASIN.
Remarks	
*	THE CAPACITY LISTED IS ESTIMATES OF INFILTRATION RATES.
**	DESIGN CAPACITY OF MAIN CHANNEL.

BRANFORD

Type	DEEP
Season First Used	1956-57
Area	
Gross	12 ACRES
Wetted	7 ACRES
Capacities	
Channel**	1,540 CFS
Intakes	1,540 CFS
Storage	137 AF
Percolation*	1 CFS
Location	SOUTHWESTERLY OF ARLETA AVENUE ABOVE CONFLUENCE OF TUJUNGA WASH AND PACOIMA DIVERSION CHANNEL.
Source of Water	UNCONTROLLED FLOWS FROM BRANFORD STREET DRAIN.
Remarks	INSTREAM SPREADING FACILITY. OUTLET CAPACITY 1,540 CFS TO PACOIMA DIVERSION CHANNEL.
*	THE CAPACITY LISTED IS ESTIMATES OF INFILTRATION RATES.
**	DESIGN CAPACITY OF MAIN CHANNEL.

BUENA VISTA

Type	DEEP
Season First Used	1954-55
Area	
Gross	10 ACRES
Wetted	6 ACRES
Capacities	
Channel**	2,900 CFS
Intakes	2,900 CFS
Storage	177 AF
Percolation*	6 CFS
Location	1.0 MILE EASTERLY OF SAWPIT WASH. 0.5 MILE NORTHERLY OF ARROW HIGHWAY, BETWEEN MERIDIAN STREET AND BUENA VISTA CHANNEL.
Source of Water	CONTROLLED FLOW FROM SANTA FE DAM AND UNCONTROLLED FLOW FROM BUENA VISTA CHANNEL.
Remarks	INSTREAM SPREADING FACILITY. TOTAL OUTLET CAPACITY OF 270 CFS.
*	THE CAPACITY LISTED IS ESTIMATES OF INFILTRATION RATES.
**	DESIGN CAPACITY OF MAIN CHANNEL.

WATER CONSERVATION – LACDPW SPREADING GROUNDS
--

CITRUS

	Type	SHALLOW
	Season First Used	1960-61
Area	Gross	19 ACRES
	Wetted	15 ACRES
Capacities	Channel**	11,000 CFS
	Intakes	245 CFS
	Storage	80 AF
	Percolation*	28 CFS
	Location	SOUTH SIDE OF BIG DALTON WASH BETWEEN CITRUS AND CERRITOS AVENUES.
	Source of Water	CONTROLLED FLOWS FROM BIG DALTON DAM AND LITTLE DALTON DEBRIS DAMS. UNCONTROLLED FLOWS FROM BIG DALTON WASH.
	Remarks	THERE ARE 2 INTAKES, ONE IS A DROP INLET, THE OTHER AN AIR INFLATED RUBBER DAM.
	*	THE CAPACITY LISTED IS ESTIMATES OF INFILTRATION RATES.
	**	DESIGN CAPACITY OF MAIN CHANNEL.

DOMINGUEZ GAP

	Type	DEEP
	Season First Used	1957-58
Area	Gross	54 ACRES
	Wetted	24 ACRES
Capacities	Channel**	146,000 CFS
	Intakes	20 CFS
	Storage	234 AF
	Percolation*	1 CFS
	Location	SOUTH OF DEL AMO BOULEVARD AND BORDERS THE EASTERN AND WESTERN SIDES OF THE LOS ANGELES RIVER
	Source of Water	CONTROLLED FLOW FROM LOS ANGELES RIVER LOW FLOW CHANNEL AND UNCONTROLLED FLOWS FROM STORM DRAINS.
	Remarks	EAST SIDE BASIN USED FOR FLOOD REGULATION WITH SOME CONSERVATION STORAGE. INTAKE CAPACITY IS 20 CFS FOR LOW FLOW DIVERSION FROM THE LOS ANGELES RIVER. THE WEST SIDE BASIN IS FED BY A 24-INCH CONCRETE PIPE FROM THE EAST SIDE BASIN.
	*	THE CAPACITY LISTED IS ESTIMATES OF INFILTRATION RATES.
	**	DESIGN CAPACITY OF MAIN CHANNEL.

EATON BASIN

	Type	DEEP
	Season First Used	1956-57
Area	Gross	16 ACRES
	Wetted	10 ACRES
Capacities	Channel**	9,500 CFS
	Intakes	400 CFS
	Storage	284 AF
	Percolation*	10 CFS

WATER CONSERVATION – LACDPW SPREADING GROUNDS
--

	Location	EAST SIDE OF EATON WASH, NORTH OF DUARTE ROAD, 0.6 MILES SOUTH OF HUNTINGTON DRIVE.
	Source of Water	CONTROLLED FLOW FROM EATON WASH DAM AND UNCONTROLLED FLOWS BETWEEN DAM AND SPREADING BASIN.
	Remarks	
	*	THE CAPACITY LISTED IS ESTIMATES OF INFILTRATION RATES.
	**	DESIGN CAPACITY OF MAIN CHANNEL.
 EATON WASH		
	Type	DEEP & SHALLOW
	Season First Used	1947-48
Area	Gross	28 ACRES
	Wetted	25 ACRES
Capacities	Channel**	6,600 CFS
	Intakes	200 CFS
	Storage	525 AF
	Percolation*	14 CFS
	Location	EASTERLY SIDE OF EATON WASH FROM BELOW EATON DAM TO FOOTHILL BOULEVARD.
	Source of Water	CONTROLLED FLOW FROM EATON WASH DAM. IMPORTED WATER CAN BE SPREAD IN STRIP BASINS.
	Remarks	
	*	THE CAPACITY LISTED IS ESTIMATES OF INFILTRATION RATES.
	**	DESIGN CAPACITY OF MAIN CHANNEL.
 FORBES		
	Type	SHALLOW
	Season First Used	1964-65
Area	Gross	21 ACRES
	Wetted	10 ACRES
Capacities	Channel**	9,000 CFS
	Intakes	100 CFS
	Storage	87 AF
	Percolation*	5 CFS
	Location	SOUTH SIDE OF SAN DIMAS WASH BETWEEN LONE HILL AVENUE AND VALLEY CENTER AVENUE.
	Source of Water	CONTROLLED RELEASES FROM PUDDINGSTONE DIVERSION DAM, AND UNCONTROLLED FLOWS FROM SAN DIMAS WASH; ALSO IMPORTED .
	Remarks	
	*	THE CAPACITY LISTED IS ESTIMATES OF INFILTRATION RATES.
	**	DESIGN CAPACITY OF MAIN CHANNEL.
 HANSEN		
	Type	SHALLOW
	Season First Used	1944-45
Area	Gross	156 ACRES
	Wetted	105 ACRES
Capacities	Channel**	22,000 CFS

WATER CONSERVATION – LACDPW SPREADING GROUNDS

Intakes	400 CFS
Storage	279 AF
Percolation*	150 CFS
Location	NORTHWESTERLY SIDE OF TUJUNGA WASH FROM ABOVE GLENOAKS BOULEVARD SOUTHWESTERLY TO SAN FERNANDO ROAD.
Source of Water	CONTROLLED FLOWS FROM HANSEN DAM AND BIG TUJUNGA DAM.
Remarks	
*	THE CAPACITY LISTED IS ESTIMATES OF INFILTRATION RATES.
**	DESIGN CAPACITY OF MAIN CHANNEL.

**IRWINDALE\MANNING
PIT**

	Type	DEEP
	Season First Used	1958-59
Area	Gross	62 ACRES
	Wetted	30 ACRES
Capacities	Channel**	25,500 CFS
	Intakes	400 CFS
	Storage	1,134 AF
	Percolation*	60 CFS
	Location	NORTHEASTERLY OF INTERSECTION OF BIG DALTON CHANNEL AND IRWINDALE AVENUE; CONTINUES 1,300 FEET EAST OF IRWINDALE VENUE
	Source of Water	BIG DALTON CHANNEL CONTROLLED FLOWS FROM BIG AND LITTLE DALTON DEBRIS DAMS AND PUDDINGSTONE DIVERSION DAM; UNCONTROLLED FLOWS; ALSO IMPORTED RELEASES .
	Remarks	IRWINDALE CLEANED OUT SUMMER OF 1996.
*		THE CAPACITY LISTED IS ESTIMATES OF INFILTRATION RATES.
**		DESIGN CAPACITY OF MAIN CHANNEL.

LITTLE DALTON

	Type	SHALLOW
	Season First Used	1931-32
Area	Gross	14 ACRES
	Wetted	5 ACRES
Capacities	Channel**	8,600 CFS
	Intakes	20 CFS
	Storage	5 AF
	Percolation*	15 CFS
	Location	WESTERLY OF GLENDORA MT. ROAD FROM LITTLE DALTON DEBRIS BASIN SOUTH TO EAST PALM DRIVE.
	Source of Water	CONTROLLED FLOW FROM LITTLE DALTON DEBRIS BASIN AND IMPORTED WATER. (IMPORTED WATER DELIVERY COMMENCED IN OCTOBER 1995).
	Remarks	
*		THE CAPACITY LISTED IS ESTIMATES OF INFILTRATION RATES.
**		DESIGN CAPACITY OF MAIN CHANNEL.

WATER CONSERVATION – LACDPW SPREADING GROUNDS
--

LIVE OAK

	Type	SHALLOW
	Season First Used	1961-62
Area	Gross	5 ACRES
	Wetted	2 ACRES
Capacities	Channel**	2,600 CFS
	Intakes	15 CFS
	Storage	2 AF
	Percolation*	13 CFS
	Location	WESTERLY SIDE OF LIVE OAK WASH. NORTH OF BASE LINE ROAD (PROJECTED).
	Source of Water	CONTROLLED FLOW FROM LIVE OAK DAM AND LIVE OAK DEBRIS BASIN
	Remarks	
	*	THE CAPACITY LISTED IS ESTIMATES OF INFILTRATION RATES.
	**	DESIGN CAPACITY OF MAIN CHANNEL.

LOPEZ

	Type	SHALLOW
	Season First Used	1956-57
Area	Gross	18 ACRES
	Wetted	12 ACRES
Capacities	Channel**	11,000 CFS
	Intakes	25 CFS
	Storage	24 AF
	Percolation*	15 CFS
	Location	SOUTHEASTERLY SIDE OF PACOIMA WASH, NORTHEASTERLY OF FOOTHILL BOULEVARD.
	Source of Water	CONTROLLED FLOW FROM PACOIMA DAM AND LOPEZ FLOOD CONTROL BASIN
	Remarks	
	*	THE CAPACITY LISTED IS ESTIMATES OF INFILTRATION RATES.
	**	DESIGN CAPACITY OF MAIN CHANNEL.

PACOIMA

	Type	SHALLOW
	Season First Used	1932-33
Area	Gross	169 ACRES
	Wetted	107 ACRES
Capacities	Channel**	17,000 CFS
	Intakes	600 CFS
	Storage	440 AF
	Percolation*	65 CFS
	Location	BOTH SIDES OF OLD PACOIMA WASH CHANNEL FROM ARLETA AVENUE SOUTHWESTERLY TO WOODMAN AVENUE.
	Source of Water	CONTROLLED FLOW FROM PACOIMA DAM. PARTIALLY CONTROLLED FLOW FROM LOPEZ FLOOD CONTROL BASIN,

WATER CONSERVATION – LACDPW SPREADING GROUNDS

UNCONTROLLED FLOW FROM EAST CANYON AND PACOIMA WASH AND IMPORTED WATER.

Remarks

- * THE CAPACITY LISTED IS ESTIMATES OF INFILTRATION RATES.
- ** DESIGN CAPACITY OF MAIN CHANNEL.

PECK ROAD

	Type	DEEP
	Season First Used	1959-60
Area	Gross	157 ACRES
	Wetted	105 ACRES
Capacities	Channel**	30,100 CFS
	Intakes	30,100 CFS
	Storage	3,347 AF
	Percolation*	25 CFS
	Location	CONFLUENCE OF SAWPIT AND SANTA ANITA WASHES.
	Source of Water	CONTROLLED RELEASES FROM SANTA ANITA AND SAWPIT DEBRIS BASINS AND UNCONTROLLED FLOWS FROM LOCAL RUNOFF VIA SAWPIT AND SANTA ANITA WASHES.
	Remarks	INSTREAM SPREADING FACILITY.
	*	THE CAPACITY LISTED IS ESTIMATES OF INFILTRATION RATES.
	**	DESIGN CAPACITY OF MAIN CHANNEL.

RIO HONDO COASTAL

	Type	SHALLOW
	Season First Used	1937-38
Area	Gross	570 ACRES
	Wetted	430 ACRES
Capacities	Channel**	40,000 CFS
	Intakes	1,950 CFS
	Storage	3,694 AF
	Percolation*	400 CFS
	Location	EASTERLY SIDE OF RIO HONDO SOUTHERLY FROM S. P. R. R. (SOUTH OF WHITTIER BLVD.) TO SLAUSON AVENUE; WEST SIDE OF RIO HONDO CHANNEL FROM 0.2 MILE ABOVE WHITTIER BOULEVARD SOUTH TO FOSTER BRIDGE BOULEVARD.
	Source of Water	CONTROLLED RELEASES FROM SAN GABRIEL CANYON DAMS, SANTA FE AND WHITTIER NARROWS DAMS. UNCONTROLLED RUNOFF VIA SAN GABRIEL RIVER, RIO HONDO CHANNEL AND THEIR TRIBUTARIES; ALSO IMPORTED AND RECLAIMED WATER.
	Remarks	IN COOPERATION WITH THE CORPS OF ENGINEERS. THE DISTRICT OPERATES 1,200 ACRE-FOOT POOL AT WHITTIER NARROWS DAM FOR RETENTION OF STORM WATER.
	*	THE CAPACITY LISTED IS ESTIMATES OF INFILTRATION RATES.
	**	DESIGN CAPACITY OF MAIN CHANNEL.

WATER CONSERVATION – LACDPW SPREADING GROUNDS
**S.G. RIVER
(MONTEBELLO FOREBAY)**

	Type	SHALLOW
	Season First Used	1954-55
Area	Gross	308 ACRES
	Wetted	308 ACRES
Capacities	Channel**	20,000 CFS
	Intakes	In river Percolation
	Storage	913 AF
	Percolation*	75 CFS
	Location	HEADWORKS TO FIRESTONE AVE. ONLY. STORAGE BEHIND THE SEVEN RUBBER DAMS INSTALLED ON DROP STRUCTURE. SAME AS SAN GABRIEL COASTAL.
	Source of Water	
	Remarks	
	*	THE CAPACITY LISTED IS ESTIMATES OF INFILTRATION RATES.
	**	DESIGN CAPACITY OF MAIN CHANNEL.

**S.G. RIVER
(SAN GABRIEL VALLEY)**

	Type	1965-66
	Season First Used	1965-66
Area	Gross	196 ACRES
	Wetted	196 ACRES
Capacities	Channel**	41,000-98,000 CFS
	Intakes	In river Percolation
	Storage	0 AF
	Percolation*	180 CFS
	Location	SAN GABRIEL RIVER FROM SANTA FE DAM TO WHITTIER NARROWS DAM.
	Source of Water	CONTROLLED FLOW FROM DAMS IN SAN GABRIEL CANYON, SANTA FE DAM AND UNCONTROLLED VALLEY RUNOFF BELOW SANTA FE DAM; ALSO IMPORTED WATER.
	Remarks	
	*	THE CAPACITY LISTED IS ESTIMATES OF INFILTRATION RATES.
	**	DESIGN CAPACITY OF MAIN CHANNEL.

SAN DIMAS CANYON

	Type	SHALLOW
	Season First Used	1965-66
Area	Gross	22 ACRES
	Wetted	11 ACRES
Capacities	Channel**	7,000 CFS
	Intakes	25 CFS
	Storage	22 AF

WATER CONSERVATION – LACDPW SPREADING GROUNDS

Percolation*	12 CFS
Location	SOUTHEAST SIDE OF SAN DIMAS WASH BETWEEN PUDDINGSTONE DIVERSION AND SAN DIMAS CANYON ROAD.
Source of Water	CONTROLLED RELEASES FROM PUDDINGSTONE DIVERSION DAM; UNCONTROLLED FLOW FROM LOCAL STORM RUNOFF.
Remarks	
*	THE CAPACITY LISTED IS ESTIMATES OF INFILTRATION RATES.
**	DESIGN CAPACITY OF MAIN CHANNEL.

SAN GABRIEL CANYON

	Type	DEEP
	Season First Used	1917
Area	Gross	165 ACRES
	Wetted	140 ACRES
Capacities	Channel**	98,000 CFS
	Intakes	150 CFS
	Storage	8,170 AF
	Percolation*	50 CFS
	Location	EASTERLY SIDE OF SAN GABRIEL RIVER. BELOW MOUTH OF SAN GABRIEL CANYON. NORTH OF THE CITY OF AZUSA.
	Source of Water	SAN GABRIEL RIVER CONTROLLED RELEASES FROM COGSWELL DAM, SAN GABRIEL DAM, AND MORRIS DAM. COMMITTEE OF NINE SURPLUS FLOWS AND IMPORTED WATER.
	Remarks	THERE ARE 2 INTAKES TO THIS FACILITY, ONE IS FED FROM SURPLUS 'COMMITTEE OF NINE' FLOWS, THE OTHER IS FROM THE RIVER INTO BASIN NO. 2.
	*	THE CAPACITY LISTED IS ESTIMATES OF INFILTRATION RATES.
	**	DESIGN CAPACITY OF MAIN CHANNEL.

SAN GABRIEL COASTAL

	Type	SHALLOW
	Season First Used	1938-39
Area	Gross	128 ACRES
	Wetted	96 ACRES
Capacities	Channel**	20,000 CFS
	Intakes	350 CFS
	Storage	550 AF
	Percolation*	75 CFS
	Location	WESTERLY SIDE OF SAN GABRIEL RIVER, SOUTHERLY FROM WHITTIER BOULEVARD TO WASHINGTON BOULEVARD.
	Source of Water	CONTROLLED RELEASES FROM SAN GABRIEL CANYON DAMS, SANTA FE AND WHITTIER NARROWS DAMS. ALSO IMPORTED AND RECLAIMED WATER.
	Remarks	
	*	THE CAPACITY LISTED IS ESTIMATES OF INFILTRATION RATES.
	**	DESIGN CAPACITY OF MAIN CHANNEL.

SANTA ANITA

	Type	SHALLOW
	Season First Used	1944-45

WATER CONSERVATION – LACDPW SPREADING GROUNDS

Area	Gross	20 ACRES
	Wetted	8 ACRES
Capacities	Channel**	12,000 CFS
	Intakes	20 CFS
	Storage	25 AF
	Percolation*	5 CFS
	Location	WESTERLY SIDE OF SANTA ANITA WASH 1.25 MILES ABOVE FOOTHILL BOULEVARD.
	Source of Water	CONTROLLED FLOW FROM SANTA ANITA DAM AND SANTA ANITA DEBRIS BASIN.
	Remarks	THE HEADWORKS LOCATED UPSTREAM OF THE DEBRIS BASIN DIVERT WATER TO SANTA ANITA SPREADING GROUNDS AND CITY OF SIERRA MADRE SPREADING GROUNDS
	*	THE CAPACITY LISTED IS ESTIMATES OF INFILTRATION RATES.
	**	DESIGN CAPACITY OF MAIN CHANNEL.

SANTA FE

	Type	SHALLOW
	Season First Used	1953-54
Area	Gross	338 ACRES
	Wetted	168 ACRES
Capacities	Channel**	98,000 CFS
	Intakes	600 CFS
	Storage	540 AF
	Percolation*	400 CFS
	Location	WITHIN SANTA FE DAM RESERVOIR AND SPILLWAY AREAS.
	Source of Water	CONTROLLED FLOWS FROM SAN GABRIEL CANYON RESERVOIRS. UNCONTROLLED FLOWS FROM SAN GABRIEL RIVER BELOW MORRIS RESERVOIR; ALSO IMPORTED WATER.
	Remarks	NEW DIVERSION HEADWORKS STRUCTURE CONSTRUCTED, CONSISTIN OF A NEW RUBBER DAM AND 2 INTAKES GATES.
	*	THE CAPACITY LISTED IS ESTIMATES OF INFILTRATION RATES.
	**	DESIGN CAPACITY OF MAIN CHANNEL.

SAWPIT

	Type	SHALLOW
	Season First Used	1946-47
Area	Gross	12 ACRES
	Wetted	4 ACRES
Capacities	Channel**	5,000 CFS
	Intakes	30 CFS
	Storage	13 AF
	Percolation*	12 CFS
	Location	WESTERLY SIDE OF SAWPIT WASH BELOW MOUTH OF CANTON NEAR NORUMBEGA DRIVE, MONROVIA.
	Source of Water	CONTROLLED FLOWS FROM SAWPIT DAM AND SAWPIT DEBRIS BASIN.
	Remarks	
	*	THE CAPACITY LISTED IS ESTIMATES OF INFILTRATION RATES.
	**	DESIGN CAPACITY OF MAIN CHANNEL.

WATER CONSERVATION – LACDPW SPREADING GROUNDS
--

**VALLEY BLVD.
RUBBER DAM**

	Type	SHALLOW
	Season First Used	1994-95
Area	Gross	60 ACRES
	Wetted	60 ACRES
Capacities	Channel**	60,000 CFS
	Intakes	In river Percolation
	Storage	400 AF
	Percolation*	0 CFS
	Location	DROP STRUCTURE SOUTH OF VALLY BLVD, AT THE CONFLUENCE OF THE SAN GABRIEL RIVER AND WALNUT CREEK.
	Source of Water	SAME AS FORBES AND IRWINDALE/MANNING PIT CAN ALSO RECEIVE RELEASE FROM SAN GABRIEL CANYON RERSERVOIRS AND IMPORTED WATER.
	Remarks	
	*	THE CAPACITY LISTED IS ESTIMATES OF INFILTRATION RATES.
	**	DESIGN CAPACITY OF MAIN CHANNEL.

WALNUT

	Type	DEEP
	Season First Used	1962-63
Area	Gross	16 ACRES
	Wetted	8 ACRES
Capacities	Channel**	8,000 CFS
	Intakes	150 CFS
	Storage	170 AF
	Percolation*	5 CFS
	Location	WEST SIDE OF WALNUT WASH, NORTH OF SAN BERNARDINO FREEWAY.
	Source of Water	CONTROLLED FLOW FROM PUDDINGSTONE DAM AND UNCONTROLLED FLOWS FROM WALNUT CREEK.
	Remarks	BASIN CLEANED OUT SUMMER OF 1995.
	*	THE CAPACITY LISTED IS ESTIMATES OF INFILTRATION RATES.
	**	DESIGN CAPACITY OF MAIN CHANNEL.

APPENDIX G

WATER CONSERVATION -NON DPW FACILITIES

WATER CONSERVATION – NON LACDPW SPREADING GROUNDS
FISH CANYON
(COMMITTEE OF NINE)

	Type	SHALLOW BASINS
	Season First Used	ABOUT 1917
Area	Gross	6 ACRES
	Wetted	4.0 ACRES
Capacities	Channel**	CFS
	Intakes	CFS
	Storage	AF
	Percolation*	7 CFS
	Location	WESTERLY SIDE OF SAN GABRIEL RIVER BELOW MOUTH OF FISH CANYON AND NORTH OF THE CITY OF AZUSA.
	Source of Water	THE 'COMMITTEE OF NINE'.
	Remarks	OWNED AND OPERATED BY CAL-AMERICAN WATER COMPANY.
	*	THE CAPACITY LISTED IS ESTIMATES OF INFILTRATION RATES.
	**	DESIGN CAPACITY OF MAIN CHANNEL.

SIERRA MADRE
(CITY OF SIERRA MADRE)

	Type	SHALLOW BASINS
	Season First Used	ABOUT 1933
Area	Gross	22 ACRES
	Wetted	9.0 ACRES
Capacities	Channel**	CFS
	Intakes	25 CFS
	Storage	47 AF
	Percolation*	15 CFS
	Location	CITY OF SIERRA MADRE, SOUTH SIDE OF GRANDVIEW AVENUE, ONE HALF MILE WEST OF SANTA ANITA AVENUE.
	Source of Water	LITTLE SANTA ANITA CREEK AND STREET RUNOFF ALSO CONTROLLED FLOWS FROM SANTA ANITA DAM.
	Remarks	THE DEPARTMENT DIVERTS WATER TO THIS FACILITY VIA SANTA ANITA HEADWORKS.
	*	THE CAPACITY LISTED IS ESTIMATES OF INFILTRATION RATES.
	**	DESIGN CAPACITY OF MAIN CHANNEL.

THOMPSON CREEK
(POMONA VALLEY PROTECTIVE ASSOCIATION)

	Type	DITCHES CHECKS AND DEEP BASIN
	Season First Used	ABOUT 1928
Area	Gross	53 ACRES
	Wetted	37.0 ACRES
Capacities	Channel**	CFS
	Intakes	35 CFS
	Storage	AF
	Percolation*	15 CFS

WATER CONSERVATION – NON LACDPW SPREADING GROUNDS

Location	SOUTHERLY FROM, AND ADJACENT TO THOMPSON CREEK DAM, EAST SIDE OF CREEK
Source of Water	COBAL, WILLIAMS, PALMER, AND PADUA CREEKS, ALSO THOMPSON CREEK, WHEN RESERVOIR ABOVE ELEVATION 1,625.
Remarks	OPERATED BY POMONA VALLEY PROTECTIVE ASSOCIATION. THE DEPARTMENT DIVERTS WATER TO THIS FACILITY VIA THE PALMER DIVERSION.
*	THE CAPACITY LISTED IS ESTIMATES OF INFILTRATION RATES.
**	DESIGN CAPACITY OF MAIN CHANNEL.

TUJUNGA**(L.A.CITY DEPT. OF WATER AND POWER)**

Type	SHALLOW BASINS
Season First Used	ABOUT 1931-32
Area	Gross 188 ACRES
	Wetted 83.2 ACRES
Capacities	Channel** 22000.0 CFS
	Intakes 400 CFS
	Storage 100 AF
	Percolation* 120 CFS
Location	SAN FERNANDO VALLEY, EAST SIDE OF TUJUNGA WASH AT ROSCOE BOULEVARD
Source of Water	CONTROLLED RELEASES FROM BIG TUJUNGA CAM, HANSEN DAM AND UNCONTROLLED RUNOFF FROM STORM DRAINS, ALSO IMPORTED WATER.
Remarks	THE DEPARTMENT HAS AN AGREEMENT WITH THE CITY OF LOS ANGELES TO OPERATE THIS FACILITY.
*	THE CAPACITY LISTED IS ESTIMATES OF INFILTRATION RATES.
**	DESIGN CAPACITY OF MAIN CHANNEL.

APPENDIX H

WATER CONSERVATION - WATER CONSERVED

WATER CONSERVATION - WATER CONSERVED

Los Angeles County Department of Public Works Total Monthly Water Conserved (acre-feet) during Water Year 1996-1997

AREA	SPREADING FACILITY	OCT	NOV	DEC	JAN	FEB	MAR	APR	MAY	JUN	JUL	AUG	SEP	ACC TOT	Historic High	
															Amount	Wtr Yr
San Fernando Valley Facilities	Branford	26	71	85	89	35	10	9	12	11	12	13	42	415	724	1969-70
	Hansen	0	291	1,650	3,180	2,430	629	421	535	296	81	17	278	9,808	35,221	1982-83
	Lopez	1	1	10	4	393	158	131	0	26	0	0	0	724	1,938	1967-68
	Pacoima	0	335	1,600	3,050	782	0	0	0	0	0	0	1	5,768	22,973	1982-83
	Tujunga†	238	70	611	2,750	666	863	580	0	155	295	178	0	6,406	42,817	1982-83
	SUBTOTAL1	265	768	3,956	9,073	4,306	1,660	1,141	547	488	388	208	321	23,121		
San Gabriel Valley Facilities	Arroyo Seco	26	61	529	1,020	750	192	138	175	161	156	32	1	3,241	6,450	1982-83
	Ben Lomond	136	367	439	135	172	221	119	94	114	40	107	120	2,064	6,444	1966-67
	Big Dalton	0	18	38	183	164	88	31	15	12	2	0	0	551	3,766	1966-67
	Buena Vista	18	32	37	43	0	0	0	18	0	0	0	24	172	2,731	1957-58
	Citrus	17	89	264	157	33	37	26	10	26	12	12	13	696	6,478	1994-95
	Eaton Basin	26	150	379	406	147	33	33	21	17	17	18	24	1,271	3,481	1982-83
	Eaton Grounds	0	0	96	495	304	38	13	0	0	0	0	0	946	4,761	1982-83
	Forbes	46	53	53	117	0	0	75	214	270	284	196	194	1,502	2,628	1986-87
	Inwindale	9	599	639	1,210	383	0	547	2,150	1,880	2,150	2,080	2,720	14,367	41,280	1991-92
	Little Dalton	0	0	11	163	156	69	12	0	0	437	517	0	1,365	5,546	1995-96
	Live Oak	0	0	0	66	173	15	3	0	0	0	0	0	257	1,660	1982-83
	Peck Road	68	-646**	2,259	2,107	590	79	90	94	2,380	1,790	154	147	9,112	50,026	1982-83
	San Dimas Canyon	0	0	211	598	505	0	100	83	0	0	0	0	1,497	6,049	1982-83
	San Gabriel Canyon	7	139	910	3,060	1,590	900	641	171	129	1,620	3,030	1,670	13,867	19,583	1969-70
	Santa Anita	14	0	116	179	126	25	58	50	66	51	0	51	736	1,641	1965-66
	Santa Fe	0	0	2,420	4,210	4,430	583	0	0	0	3,040	3,470	1,250	19,403	124,478	1982-83
	Sawpit	62	58	79	185	213	152	104	39	97	25	62	9	1,085	2,926	1982-83
Walnut	49	107	210	218	103	0	36	107	100	95	94	84	1,203	3,063	1992-93	
Sierra Madre†	40	0	40	380	543	265	217	0	78	117	0	0	1,680	5,003	1966-67	
Fish Creek‡	411	786	857	344	528	677	660	484	459	470	486	495	6,657	9,737	1978-79	
S.G. River Perc. Reach from Morris Dam to W.N. Dam	Morris Dam to Sta. F190	1,640	910	3,160	2,992	2,054	1,806	624	258	2,717	4,862	3,639	2,029	26,691	119,600	1977-78
	Sta. F190 to Santa Fe Dam O/F	835	138	1015*	2275*	802	220	19	2	332	1,231	1,255	300	8,424	141,600	1968-69
	Santa Fe Dam O/F to Sta. F263	2,261	3,009	3117*	2799*	3,523	821	1,440	2,354	1,074	828	2,488	1,362	25,076	79,083	1991-92
	SUBTOTAL2	5,665	5,870	16,879	23,342	17,289	6,221	4,986	6,321	9,930	17,227	17,640	10,493	141,863		
Coastal Plain Facilities	Rio Hondo S.G.	1,287	5,737	11,766	8,278	2,614	3,786	8,575	4,417	5,283	7,652	986	3,828	64,209	96,363	1978-79
	Whittier Narrows Reservoir	482	750*	892	3,908	298	533	1,481	634	1,273	1,207	761	1,251	13,470	102,610	1991-92
	San Gabriel S.G.‡	3,848	4,423	8,923	7,680	4,050	1,690	3,660	4,325	4,200	3,466	3,310	957	50,532	81,586	1992-93
	Dominguez Gap	136	100	87	61	0	82	67	106	30	31	31	24	756	2,414	1961-62
	SUBTOTAL3	5,753	11,010	21,668	19,927	6,962	6,091	13,783	9,482	10,786	12,356	5,088	6,060	128,967		
Total Water Conserved		11,683	17,649	42,503	52,342	28,557	13,972	19,910	16,350	21,204	29,971	22,936	16,874	293,951		

Note: * Portions of water conserved figures may be estimated due to storm related tributary.

** Water in storage released.

† Owned by other entities.

‡ San Gabriel S.G. includes water conserved in the off channel basins and the San Gabriel River from Station F263C-R to Station F262C-R.

APPENDIX I

WATER CONSERVATION - IMPORTED WATER

WATER CONSERVATION - IMPORTED WATER

IMPORTED WATER OUTLET RELEASES: *Water Delivered in Acre-Feet*

	San Dimas	Thompson Creek	Alhambra	USGMWD	TVMWD	Olden Street	SGVMWD Spreading Ground				Waste to the Ocean	Monthly Total Spread
	CB	CB	CB	USG3	Little DaPM26	L.A.	Canyon Basin	Beatt	Big D	San D		
OCT	0	0	1310	0	0	0	0	0	0	51	0	1361.3
NOV	0	0	818.3	0	0	0	0	0	0	325	0	1143.3
DEC	0	0	0	3934.1	0	0	0	0	0	0	0	3934.1
JAN	0	0	0	929.8	0	0	2173	0	0	0	0	3102.8
FEB	0	0	0	0	0	0	0	0	0	0	0	0
MAR	0	0	0	0	0	0	0	0	0	0	0	0
APR	5206	0	2243.8	0	0	0	78	0	0	616	0	8143.8
MAY	5393.1	0	2105.5	0	0	0	0	0	0	2472	0	9970.6
JUN	4161.7	0	889.7	3543.2	0	0	0	0	0	2430	0	11024.6
JUL	0	0	0	5888	437.6	0	0	0	0	2513	0	8838.6
AUG	0	0	0	7241.6	515.5	0	0	0	0	2318	0	10075.1
SEP	0	0	609.8	4471.4	0	0	0	0	0	2868	0	7949.2
TOTAL	14760.8	0	7977.4	26008.1	953.1	0	2251	0	0	13593	0	65543.4

APPENDIX J

WATER CONSERVATION - RECLAIMED WATER

WATER CONSERVATION - RECLAIMED WATER

RECLAIMED WATER : *Water Delivered in Acre-Feet*

	WHITTIER NARROWS PLANT				SAN JOSE PLANT				POMONA PLANT	MONTHLY TOTAL SPREAD
	Delivered		Wasted	Monthly Spread	Delivered		Wasted	Monthly Spread		
	Rio Hondo	San Gabriel			Rio Hondo	San Gabriel				
Oct	0	1163	22	1141	0	2289.9	52	2237.9	298	3676.9
Nov	117.9	797.9	33	882.8	463	1540.8	98	1905.8	373.5	3162.1
Dec	967.5	0	42	925.5	919.9	1506	265	2160.9	470.7	3557.1
Jan	822.1	0	125	697.1	781	2021	738	2064	515.3	3276.4
Feb	658.7	0	0	658.7	869.1	1612.6	0	2481.7	420.3	3560.7
Mar	845	0	0	845	2868.4	1250.8	0	4119.2	266.3	5230.5
Apr	759.3	0	0	759.3	1858.9	3286.5	0	5145.4	140	6044.7
May	786.3	0	50	736.3	2003.2	1531.3	0	3534.5	100.8	4371.6
Jun	844.8	0	1	843.8	575.8	2039.3	0	2615.1	122.4	3581.3
Jul	891.3	0	0	891.3	0	3364	0	3364.1	101.9	4357.3
Aug	209	575.5	0	784.5	1362.5	2657.9	0	4020.4	75.8	4880.7
Sep	706	0	81	625	2663.1	802.9	138	3328	247.4	4200.4
TOTAL	7607.9	2536.4	354	9790.3	14364.9	23903	1291	36977	3132.4	49899.7

APPENDIX K

WATER CONSERVATION – GROUND WATER

WATER CONSERVATION- GROUND WATER

**WATER CONSERVATION
GROUND WATER FLUCTUATION:**

Location	File Name	Size	Ground Surface Elev.
Coastal Plain, City of Long Beach	0460K	7761 bytes	26.6
Coastal Plain	0760C	8248 bytes	50.0
Coastal Plain, City of Long Beach	0906D	7673 bytes	88.8
Central Basin	1601T	5383 bytes	159.7
Main San Gabriel Basin	2965C	4962 bytes	245.0
Main San Gabriel Basin, Baldwin Park	3030F	6263 bytes	386.7
Pomona Basin	3261P	7623 bytes	999.4
San Fernando Valley, Canoga Park	3600H	5044 bytes	788.5
San Fernando Valley, Burbank	3872H	4923 bytes	546.5
Raymond Basin	4057H	7067 bytes	749.9
San Gabriel Canyon Basin, North of Azusa	4284A	6107 bytes	658.8
Upper Claremont Heights	4508A	5439 bytes	1482.0
Santa Clarita Valley, Near Castaic Junction	7057P	4841 bytes	1131.0
Little Rock, South of Palmdale	8825	6287 bytes	2777.0
Antelope Valley, South of Lancaster	9974	5292 bytes	2512.0

WATER CONSERVATION – SUMMARY – GROUND WATER

GROUND WATER FLUCTUATION:

Location: Coastal Plain, City of Long Beach
Ground Surface Elevation: 26.6 ft above MSL

STATION	460K
	WS Elev.
Jan-50	-30.1
Feb-50	-30.7
Mar-50	-27.3
Apr-50	-45.6
May-50	-41.4
Jun-50	-45.1
Jul-50	-49.6
Aug-50	-56.9
Sep-50	-51.9
Oct-50	-55.3
Nov-50	-60.7
Dec-50	-43.8
Jan-51	-49.9
Feb-51	-49.4
Mar-51	-54
Apr-51	-66.9
May-51	-57.9
Jun-51	-67.7
Jul-51	-67.1
Aug-51	-77.2
Sep-51	-70.4
Oct-51	-73.3
Nov-51	-67.6
Dec-51	-53.8
Jan-52	-46.8
Feb-52	-45.7
Mar-52	-44.7
Apr-52	-47.4
May-52	-40.3
Jun-52	-45.9
Jul-52	-62.7
Aug-52	-74
Sep-52	-76.4
Oct-52	-72.4
Nov-52	-65
Dec-52	-47.7
Jan-53	-43.2
Feb-53	-42.4
Mar-53	-49.9
Apr-53	-61.6
May-53	-60.6
Jun-53	-71.9
Jul-53	-80.9
Aug-53	-83.5
Sep-53	-78.4

Location: Coastal Plain, City of Long Beach
Ground Surface Elevation: 26.6 ft above MSL

STATION	460K
	WS Elev.
Oct-53	-78.7
Nov-53	-72.3
Dec-53	-63.3
Jan-54	-58.9
Feb-54	-49
Mar-54	-58.3
Apr-54	-54.4
May-54	-61
Jun-54	-75.2
Jul-54	-80.4
Aug-54	-87.4
Sep-54	-88.9
Oct-54	-82.9
Nov-54	-74.9
Dec-54	-63.7
Jan-55	-63.6
Feb-55	-51.3
Mar-55	-59.4
Apr-55	-67.1
May-55	-59.2
Jun-55	-70.7
Jul-55	-77.7
Aug-55	-86.2
Sep-55	-93.3
Oct-55	-93.7
Nov-55	-78.7
Dec-55	-69.3
Jan-56	-72.7
Feb-56	-68.1
Mar-56	-74.7
Apr-56	-83.5
May-56	-82.3
Jun-56	-87.7
Jul-56	-90
Aug-56	-99
Sep-56	-100.8
Oct-56	-101.3
Nov-56	-97.7
Dec-56	-98.2
Jan-57	-94.6
Feb-57	-69.6
Mar-57	-65.4
Apr-57	-69.4
May-57	-87.4
Jun-57	-88.3

WATER CONSERVATION – SUMMARY – GROUND WATER
GROUND WATER FLUCTUATION:

Location: Coastal Plain, City of Long Beach
Ground Surface Elevation: 26.6 ft above MSL

STATION	460K
	WS Elev.
Jul-57	-92.5
Aug-57	-95
Sep-57	-99
Oct-57	-100
Nov-57	-85
Dec-57	-84.1
Jan-58	-76.8
Feb-58	-72.9
Mar-58	-77.5
Apr-58	-70.6
May-58	-87.5
Jun-58	-92.2
Jul-58	-95.4
Aug-58	-93.6
Sep-58	-91.7
Oct-58	-87.6
Nov-58	-84
Dec-58	-82.8
Jan-59	-78.7
Feb-59	-78.3
Mar-59	-74
Apr-59	-81.2
May-59	-82.9
Jun-59	-87.5
Jul-59	-94.2
Aug-59	-96.2
Sep-59	-98.2
Oct-59	-96.7
Nov-59	-95.2
Dec-59	-93.5
Jan-60	-83.6
Feb-60	-81.5
Mar-60	-85.8
Apr-60	-83.5
May-60	-75.3
Jun-60	-74.2
Jul-60	-76.5
Aug-60	-92.2
Sep-60	-84.2
Oct-60	-95
Nov-60	-91.3
Dec-60	-76.6
Jan-61	-74.2
Feb-61	-81.8
Mar-61	-91

Location: Coastal Plain, City of Long Beach
Ground Surface Elevation: 26.6 ft above MSL

STATION	460K
	WS Elev.
Apr-61	-92.5
May-61	-81.2
Jun-61	-108.8
Jul-61	-111.7
Aug-61	-112.9
Sep-61	-113
Oct-61	-106.8
Nov-61	-101.4
Dec-61	-92.7
Jan-62	-80.7
Feb-62	-78.1
Mar-62	-74.8
Apr-62	-76.1
May-62	-92.7
Jun-62	-91.7
Jul-62	-100.1
Aug-62	-107.6
Sep-62	-109.9
Oct-62	-103.9
Nov-62	-73
Dec-62	-64.4
Jan-63	-55.3
Feb-63	-50.9
Mar-63	-48.7
Apr-63	-47.3
May-63	-48.1
Jun-63	-49.3
Jul-63	-50.5
Aug-63	-63.1
Sep-63	-68.8
Oct-63	-60.4
Nov-63	-46.8
Dec-63	-33.4
Jan-64	-36.4
Feb-64	-33
Mar-64	-31.6
Apr-64	-32.6
May-64	-39.4
Jun-64	-45.9
Jul-64	-47.7
Aug-64	-52
Sep-64	-53.9
Oct-64	-50.5
Nov-64	-40.9
Dec-64	-34.7

WATER CONSERVATION – SUMMARY – GROUND WATER
GROUND WATER FLUCTUATION:

Location: Coastal Plain, City of Long Beach
Ground Surface Elevation: 26.6 ft above MSL

STATION	460K
	WS Elev.
Jan-65	-30.7
Feb-65	-30.3
Mar-65	-32.7
Apr-65	-32
May-65	-35.7
Jun-65	-40.3
Jul-65	-40.1
Aug-65	-45.8
Sep-65	-49.5
Oct-65	-44.6
Nov-65	-42
Dec-65	-30.6
Jan-66	-26
Feb-66	-24.9
Mar-66	-26.5
Apr-66	-28.8
May-66	-32.2
Jun-66	-43
Jul-66	-48.9
Aug-66	-46.8
Sep-66	-49.5
Oct-66	-45.4
Nov-66	-40.2
Dec-66	-30.1
Jan-67	-24.5
Feb-67	-21.8
Mar-67	-21.7
Apr-67	-20.4
May-67	-16.5
Jun-67	-23.2
Jul-67	-29.8
Aug-67	-41.6
Sep-67	-43.4
Oct-67	-34.5
Nov-67	-35.4
Dec-67	-30.5
Jan-68	-26.9
Feb-68	-24.4
Mar-68	-25
Apr-68	-25.5
May-68	-37.2
Jun-68	-40.9
Jul-68	-40.6
Aug-68	-46.3
Sep-68	-51.3

Location: Coastal Plain, City of Long Beach
Ground Surface Elevation: 26.6 ft above MSL

STATION	460K
	WS Elev.
Oct-68	-46.6
Nov-68	-38.5
Dec-68	-34.1
Jan-69	-30.4
Feb-69	-25.8
Mar-69	-26
Apr-69	-26
May-69	-33.9
Jun-69	-42.4
Jul-69	-47.7
Aug-69	-49.1
Sep-69	-51.7
Oct-69	-57
Nov-69	-44.7
Dec-69	-39.2
Jan-70	-34.6
Feb-70	-29.4
Mar-70	-27.1
Apr-70	-31
May-70	-34.5
Jun-70	-39.2
Jul-70	-38.4
Aug-70	-40
Sep-70	-43.7
Oct-70	-52.5
Nov-70	-50.8
Dec-70	-39.5
Jan-71	-31.7
Feb-71	-30
Mar-71	-32.8
Apr-71	-37.8
May-71	-38.2
Jun-71	-39.9
Jul-71	-51
Aug-71	-52.2
Sep-71	-50.1
Oct-71	-54.7
Nov-71	-57
Dec-71	-46.3
Jan-72	-34.2
Feb-72	-32.3
Mar-72	-34.3
Apr-72	-40.5
May-72	-44.5
Jun-72	-59.5

WATER CONSERVATION – SUMMARY – GROUND WATER
GROUND WATER FLUCTUATION:

Location: Coastal Plain, City of Long Beach
Ground Surface Elevation: 26.6 ft above MSL

STATION	460K
	WS Elev.
Jul-72	-53.5
Aug-72	-64.5
Sep-72	-73.3
Oct-72	-69.2
Nov-72	-60.8
Dec-72	-46.3
Jan-73	-40.2
Feb-73	-38.8
Mar-73	-33.8
Apr-73	-37.9
May-73	-49.5
Jun-73	-59.8
Jul-73	-68.3
Aug-73	-71.1
Sep-73	-69.7
Oct-73	-69.4
Nov-73	-67.5
Dec-73	-52.9
Jan-74	-54.7
Feb-74	-51.7
Mar-74	-54.4
Apr-74	-50.6
May-74	-62.7
Jun-74	-63.9
Jul-74	-69.7
Aug-74	-73.6
Sep-74	-73.6
Oct-74	-76.3
Nov-74	-71.7
Dec-74	-68.8
Jan-75	-58.1
Feb-75	-55.5
Mar-75	-48.1
Apr-75	-45.9
May-75	-47.1
Jun-75	-58.9
Jul-75	-70
Aug-75	-74.7
Sep-75	-71.1
Oct-75	-78.3
Nov-75	-75
Dec-75	-72.8
Jan-76	-70
Feb-76	-66.8
Mar-76	-66.1

Location: Coastal Plain, City of Long Beach
Ground Surface Elevation: 26.6 ft above MSL

STATION	460K
	WS Elev.
Apr-76	-69.4
May-76	-70.5
Jun-76	-76.6
Jul-76	-85.4
Aug-76	-85.7
Sep-76	-88
Oct-76	-77.7
Nov-76	-84.2
Dec-76	-78.9
Jan-77	-74.2
Feb-77	-67.2
Mar-77	-66.8
Apr-77	-74.6
May-77	-84.7
Jun-77	-78.9
Jul-77	-88.7
Aug-77	-92.1
Sep-77	-90.4
Oct-77	-90.2
Nov-77	-87.8
Dec-77	-85.2
Jan-78	-78.8
Feb-78	-65.4
Mar-78	-64.1
Apr-78	-63.4
May-78	-50.4
Jun-78	-63.2
Jul-78	-82.8
Aug-78	-80.9
Sep-78	-83.6
Oct-78	-85.1
Nov-78	-76.1
Dec-78	-66.7
Jan-79	-62
Feb-79	-53.6
Mar-79	-43.5
Apr-79	-42.6
May-79	-53.6
Jun-79	-62.9
Jul-79	-77.1
Aug-79	-85.8
Sep-79	-89.5
Oct-79	-85.2
Nov-79	-83.5
Dec-79	-83.7

WATER CONSERVATION – SUMMARY – GROUND WATER

GROUND WATER FLUCTUATION:

Location: Coastal Plain, City of Long Beach
Ground Surface Elevation: 26.6 ft above MSL

STATION	460K
	WS Elev.
Jan-80	-66.8
Feb-80	-57.5
Mar-80	-55.9
Apr-80	-58.9
May-80	-59.1
Jun-80	-69.1
Jul-80	-79.4
Aug-80	-84.9
Sep-80	-86.3
Oct-80	-82.5
Nov-80	-80.3
Dec-80	-77.5
Jan-81	-63.4
Feb-81	-52.1
Mar-81	-49.6
Apr-81	-48.8
May-81	-64.4
Jun-81	-69.1
Aug-81	-72.5
Sep-81	-79
Nov-81	-64.8
Dec-81	-71.8
Jan-82	-45.1
Feb-82	-49.7
Mar-82	-52.3
Apr-82	-59
Jul-82	-69
Aug-82	-74.2
Sep-82	-73.8
Nov-82	-68
Dec-82	-61.5
Jan-83	-51.6
Feb-83	-52.7
Mar-83	-49.3
Apr-83	-47.8
May-83	-57.5
Jun-83	-63.7
Jul-83	-66.7
Aug-83	-66.7
Sep-83	-53.3
Oct-83	-46.3
Nov-83	-45.5
Dec-83	-21.7
Jan-84	-19.1
Feb-84	-17.5

Location: Coastal Plain, City of Long Beach
Ground Surface Elevation: 26.6 ft above MSL

STATION	460K
	WS Elev.
Mar-84	-21.4
Apr-84	-24.6
May-84	-48
Jun-84	-58.7
Jul-84	-58.7
Aug-84	-61.9
Sep-84	-66.7
Oct-84	-62.4
Nov-84	-53.2
Dec-84	-44.3
Jan-85	-35.3
May-85	-40.4
Jun-85	-44.8
Jul-85	-56
Aug-85	-59.9
Sep-85	-59.1
Oct-85	-48.8
Nov-85	-49.3
Dec-85	-42.9
Jan-86	-38.5
Mar-86	-38.7
Apr-86	-43.8
May-86	-44.1
Jun-86	-56.9
Jul-86	-54.3
Aug-86	-66.8
Sep-86	-58.1
Oct-86	-52.3
Nov-86	-43.6
Dec-86	-43.6
Jan-87	-45.6
Feb-87	-44.6
Apr-87	-45.4
May-87	-48.4
Jun-87	-41
Jul-87	-63.6
Aug-87	-50.4
Sep-87	-61.5
Oct-87	-62.7
Nov-87	-63.2
Dec-87	-47.7
Jan-88	-47.2
Feb-88	-49.7
Mar-88	-49
Apr-88	-56.5

WATER CONSERVATION – SUMMARY – GROUND WATER
GROUND WATER FLUCTUATION:

Location: Coastal Plain, City of Long Beach
Ground Surface Elevation: 26.6 ft above MSL

STATION	460K
	WS Elev.
May-88	-62.5
Jun-88	-62.5
Jul-88	-77
Aug-88	-77.5
Sep-88	-78.8
Oct-88	-73.1
Nov-88	-73.1
Dec-88	-66.2
Jan-89	-55.1
Feb-89	-63.2
Mar-89	-71.9
Apr-89	-71
May-89	-77
Jun-89	-76.2
Jul-89	-78.7
Aug-89	-76
Sep-89	-87.8
Oct-89	-73.4
Nov-89	-54.2
Dec-89	-56.7
Jan-90	-49.2
Feb-90	-44.9
Mar-90	-45.1
Apr-90	-36
May-90	-55.9
Jun-90	-89.9
Jul-90	-97.2
Aug-90	-98.7
Sep-90	-99.5
Oct-90	-91.5
Nov-90	-48.3
Dec-90	-34.8
Jan-91	-33.3
Feb-91	-42.4
Mar-91	-46.1
Apr-91	-26
May-91	-78.3
Jun-91	-90.2
Jul-91	-80.4
Aug-91	-77.5
Sep-91	-63.4
Oct-91	-62.7
Nov-91	-63.4
Dec-91	-60.9
Jan-92	-55.4

Location: Coastal Plain, City of Long Beach
Ground Surface Elevation: 26.6 ft above MSL

STATION	460K
	WS Elev.
Feb-92	-50.6
Mar-92	-28.2
Apr-92	-46.7
May-92	-62.9
Sep-92	-73.5
Oct-92	-72
Nov-92	-78.8
Dec-92	-76.5
Jan-93	-70.4
Feb-93	-68.5
Mar-93	-65.9
Apr-93	-51.9
May-93	-37.9
Jun-93	-27.6
Jul-93	-21.2
Aug-93	-19.2
Sep-93	-19.9
Oct-93	-17.4
Nov-93	-19.4
Dec-93	-13.9
Jan-94	-10.9
Feb-94	-16.7
Mar-94	-9.4
Apr-94	-5.8
May-94	-22.6
Jun-94	-48.4
Jul-94	-54.7
Aug-94	-55.6
Sep-94	-64.2
Oct-94	-35.9
Nov-94	-27.4
Dec-94	-25.3
Jan-95	-20.9
Feb-95	-35.3
Mar-95	-26.7
Apr-95	-32.2
May-95	-18.8
Jun-95	-42.8
Jul-95	-57.2
Aug-95	-50.2
Sep-95	-62.5
Oct-95	-31.6
Nov-95	-19.4
Dec-95	-25.4
Jan-96	-18.6

WATER CONSERVATION – SUMMARY – GROUND WATER
--

GROUND WATER FLUCTUATION:

Location: Coastal Plain, City of Long Beach
Ground Surface Elevation: 26.6 ft above MSL

STATION	460K
	WS Elev.
Feb-96	-10.3
Mar-96	-11.6
Apr-96	-5.8
May-96	-37.4
Jun-96	-51.8
Jul-96	-62.6
Aug-96	-64.8
Sep-96	-78.9
Oct-96	-70.4
Nov-96	-70.4
Dec-96	-70.4
Jan-97	-8.1
Feb-97	-6.4
Mar-97	-7.8
Apr-97	-44.4
May-97	-74.4
Jun-97	-93.2
Jul-97	-98.8
Aug-97	-101.2
Sep-97	-103.4

Location: Coastal Plain, City of Long Beach
Ground Surface Elevation: 26.6 ft above MSL

STATION	460K
	WS Elev.

WATER CONSERVATION – SUMMARY – GROUND WATER

GROUND WATER FLUCTUATION:

Ground Surface Elevation: 50.0 ft above MSL
 Location: Coastal Plain

STATION	1346D	1366C	760C
	WS Elev.	WS Elev.	WS Elev.
Feb-57	-83.3		
Mar-57	-92.3		
Apr-57	-92.3		
Aug-57	-85.3		
Sep-57	-89.3		
Oct-57	-92.3		
Nov-57	-91.3		
Dec-57	-89.3		
Jan-58	-89.3		
Feb-58	-88.3		
Mar-58	-88.3		
Apr-58	-87.3		
May-58	-86.3		
Jun-58	-87.3		
Jul-58	-87.3		
Aug-58	-88.3		
Sep-58	-88.3		
Oct-58	-88.3		
Nov-58	-89.3		
Dec-58	-89.3		
Jan-59	-89.3		
Feb-59	-89.3		
Mar-59	-77.3		
Apr-59	-75.3		
May-59	-86.3		
Jun-59	-89.3		
Jul-59	-93.3		
Aug-59	-96.3		
Sep-59	-90.3		
Oct-59	-87.3		
Nov-59	-88.3		
Dec-59	-91.3		
Jan-60	-81.3		
Feb-60	-74.3		
Mar-60	-71.3		
Apr-60	-71.3		
May-60	-83.3		
Jun-60	-93.3		
Jul-60	-95.3		
Aug-60	-94.3		
Sep-60	-91.3		
Oct-60	-88.3		
Nov-60	-87.3		
Dec-60	-82.3		

GROUND WATER FLUCTUATION:

Ground Surface Elevation: 50.0 ft above MSL
 Location: Coastal Plain

STATION	1346D	1366C	760C
	WS Elev.	WS Elev.	WS Elev.
Jan-61	-74.3		
Feb-61	-75.3		
Mar-61	-72.3		
Apr-61	-72.3		
May-61	-81.3		
Jun-61	-61.8		
Jul-61	-62.3		
Aug-61	-82.3		
Sep-61	-86.3		
Oct-61	-87.3		
Nov-61	-88.3		
Dec-61	-88.3		
Jan-62	-73.3		
Feb-62	-73.3		
Mar-62	-69.3		
Apr-62	-69.3		
May-62	-76.1		
Jun-62	-80.3		
Jul-62	-80.9		
Aug-62	-84.7		
Sep-62	-88		
Oct-62	-87.7		
Nov-62	-87.7		
Dec-62	-88.3		
Feb-63	-78.1		
Mar-63	-77.3		
Apr-63	-77.2		
May-63	-78.7		
Jun-63	-83.1		
Jul-63	-81.6		
Aug-63	-82		
Sep-63	-80.6		
Oct-63	-80.7		
Nov-63	-80.3		
Dec-63	-81.3		
Jan-64	-78.8		-54
Feb-64	-77.5		-58
Mar-64	-78.4		-55
Apr-64	-80.4		-54
May-64	-84.8		-64
Jun-64	-89.4		-64
Jul-64	-93.1		-59
Aug-64	-90		-61
Sep-64	-88.5		-59

WATER CONSERVATION – SUMMARY – GROUND WATER

GROUND WATER FLUCTUATION:

Ground Surface Elevation: 50.0 ft above MSL

Location: Coastal Plain

STATION	1346D	1366C	760C
	WS Elev.	WS Elev.	WS Elev.
Oct-64	-87.6		-64
Nov-64	-91.2		-60.7
Dec-64	-77.6		-54
Jan-65	-80.2		-66
Feb-65	-73.3		-57.2
Mar-65	-73		-54
Apr-65	-73.2		-52.2
May-65	-76.5		-57
Jun-65	-80		-55
Jul-65	-83.5		-53
Aug-65	-89.8		-62
Sep-65	-91.1		-58
Oct-65	-86.1		-60
Nov-65	-87.1		-57
Dec-65	-77.1		-50.2
Jan-66	-77.7		-50
Feb-66	-79.2		-53
Mar-66	-79.1		-52
Apr-66	-80.9		-51
May-66	-90.1		-50
Jun-66	-91		-55
Jul-66	-94.6		-57
Aug-66	-88.7		-53
Sep-66	-85.3		-53
Oct-66	-88		-57
Nov-66	-80.6		-49
Dec-66	-75.9		-50
Jan-67	-74.2		-48
Feb-67	-72.2		-50
Mar-67	-72.9		-45.7
Apr-67	-70.8		-48
May-67	-73.2		-49
Jun-67	-82		-62
Jul-67	-85.9		-63
Aug-67	-87.9		-51.2
Sep-67	-88.4		-48
Oct-67	-88.3		-47.2
Nov-67	-84.9		-47.2
Dec-67	-81.1		-48.2
Jan-68	-76		-49
Feb-68	-73		-49
Mar-68	-71.2		-46
Apr-68	-73.8		-45.2
May-68	-73.9		-45

GROUND WATER FLUCTUATION:

Ground Surface Elevation: 50.0 ft above MSL

Location: Coastal Plain

STATION	1346D	1366C	760C
	WS Elev.	WS Elev.	WS Elev.
Jun-68	-80.6		-45
Jul-68	-83		-44
Aug-68	-83.7		-45
Sep-68	-83.1		-45
Oct-68	-75.9		-41.7
Nov-68	-74		-42.2
Dec-68	-73.2		-43.2
Jan-69	-71.9		-44
Feb-69	-74.9		-44
Mar-69	-68.7		-44
Apr-69	-71.5		-40
May-69	-69.8		-45
Jun-69	-72.4		-49
Jul-69	-76.2		-50
Aug-69	-82.6		-50
Sep-69	-83.7		-52
Oct-69	-87.3		-43
Nov-69	-82		-43
Dec-69	-73.5		-43
Jan-70	-68.3		-42
Feb-70	-71.1		-39
Mar-70	-69		-38.2
Apr-70	-74.8		-39.3
May-70	-74.8		-42
Jun-70	-78.5		-40
Jul-70	-86		-40
Aug-70	-83.1		-41
Sep-70	-83.2		-44
Oct-70	-84.5		-43
Nov-70	-84		-41.2
Dec-70	-81		-41.2
Jan-71	-81.7		-43.2
Feb-71	-82.2		-38.2
Mar-71	-80.8		-42.2
Apr-71	-81.8		-36.2
May-71	-80		-37.2
Jun-71	-78.9		-44.2
Jul-71	-80		
Aug-71	-81.3		
Sep-71	-80.2		
Oct-71	-79.6		-42.2
Nov-71	-78.4		-40.2
Dec-71	-77.6		
Jan-72	-77.2		

WATER CONSERVATION – SUMMARY – GROUND WATER**GROUND WATER FLUCTUATION:**

Ground Surface Elevation: 50.0 ft above MSL

Location: Coastal Plain

STATION	1346D	1366C	760C
	WS Elev.	WS Elev.	WS Elev.
Feb-72	-75.6		-41.2
Mar-72	-70.6		-41.2
Apr-72	-73.5		-40.2
May-72	-76.4		-38.2
Jun-72	-73.2		-37.2
Jul-72	-72.3		-38.2
Aug-72	-72.7		-39.2
Sep-72	-76		-39.2
Oct-72	-78.4		
Nov-72	-78		
Dec-72	-74.7		
Jan-73	-76.3		-40.2
Feb-73	-75.4		-38.2
Mar-73	-74.2		-37.2
Apr-73	-70.7		-37.2
May-73	-71		
Jun-73	-68.5		
Jul-73	-69.4		
Aug-73	-70.4		-37.2
Sep-73	-69.9		
Oct-73	-68.9		-37.2
Dec-73	-60.9		
Jan-74	-60		
Feb-74	-58.2		-33.2
Mar-74	-57.7		-38.2
Apr-74	-57.2		-37.2
May-74	-56.9		-37.2
Jun-74	-59.2		-34.2
Jul-74	-61.4		-35.2
Aug-74	-63.9		-35.2
Sep-74	-70		-34.2
Oct-74	-62.1		-33.2
Nov-74	-69		-33.2
Dec-74	-63		-35.2
Jan-75	-63		-36.2
Feb-75	-61		-36.2
Mar-75	-59		-36.2
Apr-75	-58		-38.2
May-75	-52.5		
Jun-75	-53.9		-39.2
Jul-75	-58		-39.2
Aug-75	-62		-36.2
Sep-75	-63		-39.2
Oct-75	-62		-36.2

GROUND WATER FLUCTUATION:

Ground Surface Elevation: 50.0 ft above MSL

Location: Coastal Plain

STATION	1346D	1366C	760C
	WS Elev.	WS Elev.	WS Elev.
Nov-75	-57.5		-35.2
Dec-75	-62		-35.2
Jan-76	-62		-35.2
Feb-76	-62		-37.2
Mar-76	-63		-38.2
Apr-76	-62		-42.2
May-76	-59		-37.2
Jun-76	-62		-37.2
Jul-76	-61		-37.2
Aug-76	-63		-37.2
Sep-76	-63		-37.2
Oct-76	-62		-35.2
Nov-76	-53.4		-36.1
Dec-76	-62		-33.2
Jan-77	-60		-32.2
Feb-77	-61		-32.2
Mar-77	-49		-32.2
Apr-77	-60		-32.2
May-77	-55		-34.2
Jun-77	-56		-34.2
Jul-77	-58		-37.2
Aug-77	-62		-37.2
Sep-77	-62		-37.2
Oct-77	-54.1		-35.4
Nov-77	-51.2		
Dec-77	-53.5		
Jan-78	-51.5		
Feb-78	-57.8		
Mar-78	-69.7		
Apr-78	-58.4		-32.2
May-78	-71.6		
Jun-78	-82.1		
Oct-78	-98.7		-33.2
Jan-79	-91.3		
Feb-79	-97.3		
Mar-79	-99.3		
Apr-79	-80.7		
May-79	-99.3		
Jun-79	-79.3		
Jul-79	-76.3		
Aug-79	-81.3		-43
Sep-79	-83.3		-40
Oct-79	-97.3		-36
Nov-79	-104		-36

WATER CONSERVATION – SUMMARY – GROUND WATER**GROUND WATER FLUCTUATION:**

Ground Surface Elevation: 50.0 ft above MSL

Location: Coastal Plain

STATION	1346D	1366C	760C
	WS Elev.	WS Elev.	WS Elev.
Dec-79			-37
Jan-80			-34
Feb-80			-34
Mar-80			-34
Apr-80	-78.3		-42.2
May-80	-79.3		-34
Jun-80	-79.3		-34
Jul-80	-79.3		-37
Aug-80	-91.3		-37
Sep-80	-89.3		-37
Oct-80	-93.3		-38
Nov-80	-92.3		-38
Dec-80	-89.3		-38
Jan-81	-77.3		-35
Feb-81	-73.3		-34
Mar-81	-79.3		-34
Apr-81	-79.3		-33.2
May-81	-81.3		-34
Jun-81	-79.3		
Jul-81	-78.3		-28
Aug-81	-77.3		-30
Sep-81	-79.3		-32
Oct-81	-87.3		-31.2
Nov-81	-91.3		-34
Dec-81	-93.3		-34
Jan-82	-97.3		-34
Feb-82	-96.3		-34
Mar-82	-95.3		-35
Apr-82	-97.3		-34.2
May-82	-97.3		-38
Jun-82	-98.3		
Jul-82	-101		-37
Aug-82	-87.3		-37
Sep-82	-83.3		-37
Oct-82	-83.3		-35.2
Nov-82	-90.3		-38
Dec-82	-85.3		-38
Jan-83	-80.3		-37
Feb-83	-87.3		-38
Mar-83	-90.3		-38
Apr-83	-85.3		-37
May-83	-83.3		-36.2
Jun-83	-91.3		-30.2
Jul-83	-89.3		-39.2

GROUND WATER FLUCTUATION:

Ground Surface Elevation: 50.0 ft above MSL

Location: Coastal Plain

STATION	1346D	1366C	760C
	WS Elev.	WS Elev.	WS Elev.
Aug-83	-91.3		
Sep-83	-83.3		
Oct-83	-91.3		-37.2
Nov-83	-89.3		-36.2
Dec-83	-79.3		-27.2
Jan-84	-68.3		-30.2
Feb-84	-63.3		-30.2
Mar-84	-73.3		
Apr-84	-79.3		-27.2
May-84	-83.3		-29.2
Jun-84	-83.3		-29.2
Jul-84	-85.3		
Aug-84	-89.3		-32.2
Sep-84	-83.3		-31.2
Oct-84	-85.3		-31.2
Nov-84	-85.3		
Dec-84	-80.3		-30.2
Jan-85	-83.3		-31.2
Feb-85	-63.3		
Mar-85	-67.3		-31.2
Apr-85	-69.3		-31.2
May-85	-69.3		-31.2
Jun-85	-71.3		-27.2
Jul-85	-69.3		-26.2
Aug-85	-67.3		-22.2
Sep-85	-69.3		-24.2
Oct-85	-71.3		-24.2
Nov-85	-75.3		-33
Dec-85	-79.3		-34
Jan-86	-77.3		-24
Feb-86	-75.3		-22.5
Mar-86	-76.3		-23
Apr-86	-77.3		-25
May-86	-77.3		-26
Jun-86	-89.3		-24
Jul-86	-95.3		-31
Aug-86	-90.3		-32
Sep-86	-90.3		-31
Oct-86	-88.3		-29
Nov-86	-87.3		-36
Dec-86	-75.3		-27
Jan-87	-66.3		-25
Apr-87	-65.3		
May-87	-72.3		

WATER CONSERVATION – SUMMARY – GROUND WATER**GROUND WATER FLUCTUATION:**

Ground Surface Elevation: 50.0 ft above MSL

Location: Coastal Plain

STATION	1346D	1366C	760C
	WS Elev.	WS Elev.	WS Elev.
Jun-87	-76.3		
Jul-87	-79.3		
Aug-87	-78.3		
Sep-87	-76.3		
Oct-87	-69.3		
Nov-87	-68.3		-25.6
Dec-87	-68.3		-27
Jan-88	-65.8		-25.8
Feb-88	-66.1		-24.3
Mar-88	-59.1		
Apr-88	-57.6		-23.3
May-88	-55.3		-16.6
Jun-88	-52.3		-26.3
Jul-88	-52.3		-25
Aug-88	-51.3		-26.8
Sep-88	-51.3		-28
Oct-88	-52.4		-25
Nov-88	-51.3		-25
Dec-88	-49.3		-24
Jan-89	-52.3		-19
Feb-89			-23
Mar-89	-60.1		-24.8
Apr-89	-63.8		-26.3
May-89	-70.6		-25
Jun-89	-71.3		-24
Jul-89	-69.3		-30
Aug-89	-66.8		-24
Sep-89	-66.8		-24
Oct-89	-60.4		-24
Mar-92	-80.3		-28.2
Apr-92	-86.8	-54.7	-27.2
May-92			-28.2
Jun-92			-26.2
Jul-92			-28.2
Aug-92			-28.2
Sep-92			-30.2
Oct-92		-41.7	-31.2
Nov-92			-22.2
Dec-92			-25.2
Jan-93			-23.2
Feb-93			-22.2
Mar-93			-25.2
Apr-93		-55.7	-25.2
May-93			-26.2

GROUND WATER FLUCTUATION:

Ground Surface Elevation: 50.0 ft above MSL

Location: Coastal Plain

STATION	1346D	1366C	760C
	WS Elev.	WS Elev.	WS Elev.
Nov-89	-62.3		-27.2
Dec-89	-62.3		-24
Jan-90	-62.3		-22.2
Feb-90	-62.3		-23.2
Mar-90	-60.3		-23.2
Apr-90	-62.4		-26.2
May-90	-61.3		-23.2
Jun-90	-61.3		-24.2
Jul-90	-61.3		-21.2
Aug-90	-61.3		-24.2
Sep-90	-61.3		-26.2
Oct-90	-61.3		-24.2
Nov-90	-61.3		-23.2
Dec-90	-61.3		-21.2
Jan-91	-66.3		-17.2
Feb-91	-52.3		-17.2
Mar-91	-56.6		-24.2
Apr-91	-58.3		-23.2
May-91	-63.3		-24.2
Jun-91	-67.3		-25.2
Jul-91	-68.6		-28.2
Aug-91	-72.3		-28.2
Sep-91	-79.3	-61.7	-24.2
Oct-91	-80.3	-55.7	-25.2
Nov-91	-80.8		-26.2
Dec-91			-28.2
Jan-92			-25.2
Feb-92	-68.3		-25.2

Jun-93		-96.2	-27.2
Jul-93			-30.2
Aug-93		-47.7	-25.2
Sep-93		-73.7	-23.2
Oct-93		-42	-25.2
Nov-93		-53.2	-16.2
Dec-93		-46	-17.2
Jan-94		-33.2	-14.2
Feb-94		-34.7	-17.2
Mar-94		-36.7	-16.2
Apr-94		-51.7	-18.2
May-94		-43.7	-21
Jun-94			-23.2
Jul-94		-57.7	-26.2

WATER CONSERVATION – SUMMARY – GROUND WATER
--

GROUND WATER FLUCTUATION:

Ground Surface Elevation: 50.0 ft above MSL

Location: Coastal Plain

STATION	1346D	1366C	760C
	WS Elev.	WS Elev.	WS Elev.
Aug-94		-58.7	-25.2
Sep-94		-27.7	-18.2
Oct-94		-44.7	-18.2
Nov-94			-18.2
Dec-94			-17.2
Jan-95			-17.2
Apr-95			-18.2

GROUND WATER FLUCTUATION:

Ground Surface Elevation: 50.0 ft above MSL

Location: Coastal Plain

STATION	1346D	1366C	760C
	WS Elev.	WS Elev.	WS Elev.
May-95			-19.2
Jun-95			-24.2
Jul-95			-23.2
Aug-95			-23.2
Oct-95			-16.7
Apr-96			-24.2
Apr-97			-22.2

WATER CONSERVATION – SUMMARY – GROUND WATER

GROUND WATER FLUCTUATION:

Location: Coastal Plain, City of Long Beach
Ground Surface Elevation: 88.8 ft above MSL

STATION	906D
	WS Elev.
Jan-51	-42.1
Feb-51	-40.4
Mar-51	-41.7
Apr-51	-46.7
May-51	-48.5
Jun-51	-52
Jul-51	-59
Aug-51	-66.2
Sep-51	-70.4
Oct-51	-70.4
Nov-51	-69.6
Dec-51	-65.5
Jan-52	-59.2
Feb-52	-56.2
Mar-52	-54.1
Apr-52	-52.1
May-52	-49.2
Jun-52	-49.5
Jul-52	-53.5
Aug-52	-63.2
Sep-52	-68
Oct-52	-70.6
Nov-52	-70.1
Dec-52	-63.5
Jan-53	-51.2
Feb-53	-45.4
Mar-53	-47.6
Apr-53	-52.6
May-53	-50.6
Jun-53	-65.3
Jul-53	-73.1
Aug-53	-79.4
Sep-53	-81.8
Oct-53	-81.3
Nov-53	-76.5
Dec-53	-72.9
Jan-54	-67.7
Feb-54	-63
Mar-54	-56.9
Apr-54	-53.8
May-54	-53.3
Jun-54	-58.9
Jul-54	-65.4
Aug-54	-76.1
Sep-54	-82.6

GROUND WATER FLUCTUATION:

Location: Coastal Plain, City of Long Beach
Ground Surface Elevation: 88.8 ft above MSL

STATION	906D
	WS Elev.
Oct-54	-83.8
Nov-54	-80.5
Dec-54	-73.3
Jan-55	-66.1
Feb-55	-62.2
Mar-55	-60.7
Apr-55	-59.4
May-55	-61.5
Jun-55	-64.2
Jul-55	-69.2
Aug-55	-75.8
Sep-55	-82
Oct-55	-85.6
Nov-55	-83.8
Dec-55	-79.9
Jan-56	-69
Feb-56	-66.7
Mar-56	-66.7
Apr-56	-72.5
May-56	-74.3
Jun-56	-100
Jul-56	-87.6
Aug-56	-92.1
Sep-56	-98.8
Oct-56	-101.5
Nov-56	-102.5
Dec-56	-103
Jan-57	-99.9
Feb-57	-89.7
Mar-57	-80.8
Apr-57	-75
May-57	-83.5
Jun-57	-84.7
Jul-57	-96.7
Aug-57	-103
Sep-57	-106.7
Oct-57	-107.6
Nov-57	-101.2
Dec-57	-97
Jan-58	-90.2
Feb-58	-87.7
Mar-58	-82.9
Apr-58	-77.5
May-58	-81.5
Jun-58	-87.6

WATER CONSERVATION – SUMMARY – GROUND WATER

GROUND WATER FLUCTUATION:

Location: Coastal Plain, City of Long Beach
Ground Surface Elevation: 88.8 ft above MSL

STATION	906D
	WS Elev.
Jul-58	-94.8
Aug-58	-98.3
Sep-58	-98.7
Oct-58	-100
Nov-58	-98.2
Dec-58	-93.1
Jan-59	-89
Feb-59	-83.3
Mar-59	-85.4
Apr-59	-86.1
May-59	-86.6
Jun-59	-89.2
Jul-59	-92.7
Aug-59	-97.4
Sep-59	-101
Oct-59	-104.4
Nov-59	-104.5
Dec-59	-104.8
Jan-60	-101.4
Feb-60	-96.8
Mar-60	-96.6
Apr-60	-95.2
May-60	-90.8
Jun-60	-87.6
Jul-60	-91.8
Aug-60	-104.2
Sep-60	-92.5
Oct-60	-106.9
Nov-60	-108
Dec-60	-99.4
Jan-61	-94.2
Feb-61	-90.8
Mar-61	-92.8
Apr-61	-94.9
May-61	-90.8
Jun-61	-111.3
Jul-61	-119.2
Aug-61	-125.6
Sep-61	-128.7
Oct-61	-124.9
Nov-61	-118.6
Dec-61	-109.5
Jan-62	-100.6
Feb-62	-94.3
Mar-62	-88.7

GROUND WATER FLUCTUATION:

Location: Coastal Plain, City of Long Beach
Ground Surface Elevation: 88.8 ft above MSL

STATION	906D
	WS Elev.
Apr-62	-87.6
May-62	-97.3
Jun-62	-103.5
Jul-62	-107.3
Aug-62	-116.6
Sep-62	-121.4
Oct-62	-117.4
Nov-62	-97.6
Dec-62	-83.7
Jan-63	-74.6
Feb-63	-68.6
Mar-63	-65.3
Apr-63	-62.9
May-63	-58
Jun-63	-60.6
Jul-63	-61.3
Aug-63	-79.2
Sep-63	-82.8
Oct-63	-74.4
Nov-63	-63.5
Dec-63	-57.3
Jan-64	-53.2
Feb-64	-51.3
Mar-64	-47.1
Apr-64	-45.6
May-64	-45.8
Jun-64	-45.9
Jul-64	-54.1
Aug-64	-63.4
Sep-64	-78.1
Oct-64	-68.9
Nov-64	-56.9
Dec-64	-56.9
Jan-65	-52.2
Feb-65	-50.7
Mar-65	-49.7
Apr-65	-49.4
May-65	-48.3
Jun-65	-50.7
Jul-65	-54.9
Aug-65	-56.7
Sep-65	-62.5
Oct-65	-60.1
Nov-65	-61.2
Dec-65	-59.2

WATER CONSERVATION – SUMMARY – GROUND WATER

GROUND WATER FLUCTUATION:

Location: Coastal Plain, City of Long Beach
Ground Surface Elevation: 88.8 ft above MSL

STATION	906D
	WS Elev.
Jan-66	-53.3
Feb-66	-49.9
Mar-66	-42.6
Apr-66	-43.2
May-66	-46.8
Jun-66	-52.3
Jul-66	-59.2
Aug-66	-69.1
Sep-66	-69.4
Oct-66	-69.4
Nov-66	-60.2
Dec-66	-53.6
Jan-67	-49.3
Feb-67	-44.8
Mar-67	-42.3
Apr-67	-40.7
May-67	-38.4
Jun-67	-38.8
Jul-67	-40.6
Aug-67	-46.7
Sep-67	-56
Oct-67	-52
Nov-67	-50.7
Dec-67	-45.8
Jan-68	-34.3
Feb-68	-37
Mar-68	-40.8
Apr-68	-38.7
May-68	-42.3
Jun-68	-49.4
Jul-68	-53.1
Aug-68	-65.5
Sep-68	-71
Oct-68	-63.6
Nov-68	-60.1
Dec-68	-54.7
Jan-69	-49.6
Feb-69	-47.2
Mar-69	-43.8
Apr-69	-34.9
May-69	-42.3
Jun-69	-48.9
Jul-69	-56.4
Aug-69	-66.1
Sep-69	-75.7

GROUND WATER FLUCTUATION:

Location: Coastal Plain, City of Long Beach
Ground Surface Elevation: 88.8 ft above MSL

STATION	906D
	WS Elev.
Oct-69	-74
Nov-69	-68.9
Dec-69	-65.1
Jan-70	-55.8
Feb-70	-39
Mar-70	-29.1
Apr-70	-26.9
May-70	-30.8
Jun-70	-33.1
Jul-70	-32
Aug-70	-34
Sep-70	-52.7
Oct-70	-57.6
Nov-70	-50.5
Dec-70	-41.9
Jan-71	-33.5
Feb-71	-31.6
Mar-71	-32.8
Apr-71	-36.1
May-71	-36.8
Jun-71	-39.6
Jul-71	-46.8
Aug-71	-55.6
Sep-71	-63.8
Oct-71	-62.7
Nov-71	-60.8
Dec-71	-53.3
Jan-72	-48.9
Feb-72	-36
Mar-72	-30.5
Apr-72	-31.8
May-72	-32.3
Jun-72	-40.4
Jul-72	-47.8
Aug-72	-59.9
Sep-72	-68.2
Oct-72	-66.9
Nov-72	-59.2
Dec-72	-47.7
Jan-73	-41.9
Feb-73	-36.4
Mar-73	-30.5
Apr-73	-28.3
May-73	-32.7
Jun-73	-44.6

WATER CONSERVATION – SUMMARY – GROUND WATER**GROUND WATER FLUCTUATION:**

Location: Coastal Plain, City of Long Beach
Ground Surface Elevation: 88.8 ft above MSL

STATION	906D
	WS Elev.
Jul-73	-55.5
Aug-73	-59.5
Sep-73	-63.7
Oct-73	-62.7
Nov-73	-60.6
Dec-73	-54.7
Jan-74	-49
Feb-74	-44.4
Mar-74	-43
Apr-74	-40.7
May-74	-43.6
Jun-74	-47.3
Jul-74	-50.2
Aug-74	-55
Sep-74	-57.5
Oct-74	-59.7
Nov-74	-59.3
Dec-74	-55.1
Jan-75	-48.1
Feb-75	-46
Mar-75	-41.9
Apr-75	-39.7
May-75	-36.4
Jun-75	-38.4
Jul-75	-44.4
Aug-75	-57.9
Sep-75	-63.5
Oct-75	-66.6
Nov-75	-67.4
Dec-75	-65
Jan-76	-62.9
Feb-76	-64.2
Mar-76	-61.5
Apr-76	-60.7
May-76	-61.3
Jun-76	-65.1
Jul-76	-75.7
Aug-76	-77.5
Sep-76	-81.6
Oct-76	-80.4
Nov-76	-83.2
Dec-76	-82.8
Jan-77	-80.4
Feb-77	-74.5
Mar-77	-71.4

GROUND WATER FLUCTUATION:

Location: Coastal Plain, City of Long Beach
Ground Surface Elevation: 88.8 ft above MSL

STATION	906D
	WS Elev.
Apr-77	-72.7
May-77	-77.8
Jun-77	-71.3
Jul-77	-79.6
Aug-77	-90.3
Sep-77	-89.9
Oct-77	-90.7
Nov-77	-88.6
Dec-77	-79.4
Jan-78	-81.1
Feb-78	-71.5
Mar-78	-64.2
Apr-78	-57
May-78	-57.3
Jun-78	-63
Jul-78	-70.4
Aug-78	-81.7
Sep-78	-88.8
Oct-78	-91.7
Nov-78	-83.4
Dec-78	-77.3
Jan-79	-68.1
Feb-79	-59.2
Mar-79	-53.2
Apr-79	-48.5
May-79	-51.3
Jun-79	-57.3
Jul-79	-71.2
Aug-79	-81.8
Sep-79	-89.4
Oct-79	-88.3
Nov-79	-86.8
Dec-79	-88.3
Jan-80	-77.1
Feb-80	-66.9
Mar-80	-60.4
Apr-80	-58.1
May-80	-56.1
Jun-80	-59.4
Jul-80	-71.9
Aug-80	-81.1
Sep-80	-87.8
Oct-80	-89.4
Nov-80	-90.2
Dec-80	-89.8

WATER CONSERVATION – SUMMARY – GROUND WATER**GROUND WATER FLUCTUATION:**

Location: Coastal Plain, City of Long Beach
Ground Surface Elevation: 88.8 ft above MSL

STATION	906D
	WS Elev.
Jan-81	-79.5
Feb-81	-58.6
Mar-81	-51.1
Apr-81	-51.3
May-81	-50.1
Jun-81	-54.4
Jul-81	-61.5
Aug-81	-67.4
Sep-81	-80.6
Oct-81	-77.6
Nov-81	-73.4
Dec-81	-64.9
Jan-82	-63.2
Feb-82	-45.5
Mar-82	-45.5
Apr-82	-45.6
May-82	-47.2
Jun-82	-48
Jul-82	-59.3
Aug-82	-73.6
Sep-82	-76.3
Oct-82	-75.3
Dec-82	-60.8
Jan-83	-52.7
Feb-83	-51.2
Mar-83	-43.8
Apr-83	-45.9
May-83	-44.9
Jun-83	-53.9
Jul-83	-53.9
Aug-83	-59.3
Sep-83	-48.3
Oct-83	-48.5
Nov-83	-35.8
Dec-83	-25.7
Jan-84	-9.8
Feb-84	-16.2
Mar-84	-10.9
Apr-84	-22.8
May-84	-28.3
Jun-84	-39.5
Jul-84	-48.2
Aug-84	-50.8
Sep-84	-55
Oct-84	-54.5

GROUND WATER FLUCTUATION:

Location: Coastal Plain, City of Long Beach
Ground Surface Elevation: 88.8 ft above MSL

STATION	906D
	WS Elev.
Nov-84	-50.9
Dec-84	-42.6
Jan-85	-32.8
May-85	-34.2
Jun-85	-39.6
Jul-85	-45.5
Aug-85	-48.8
Sep-85	-47.7
Oct-85	-47.2
Nov-85	-46.3
Dec-85	-43.2
Jan-86	-30.4
Mar-86	-27.7
Apr-86	-35.7
May-86	-37.6
Jun-86	-40.2
Jul-86	-46
Aug-86	-50.5
Sep-86	-54.8
Oct-86	-51.2
Nov-86	-49.2
Dec-86	-48.5
Jan-87	-45.5
Feb-87	-40.1
Mar-87	-34.8
Apr-87	-39.2
May-87	-41.1
Jun-87	-41.7
Jul-87	-43.5
Aug-87	-49.3
Sep-87	-52
Oct-87	-54.6
Nov-87	-52.6
Dec-87	-49.8
Jan-88	-41.6
Feb-88	-37.8
Mar-88	-38
Apr-88	-41.7
May-88	-45.4
Jun-88	-45.4
Jul-88	-53.6
Aug-88	-63.1
Sep-88	-63.8
Oct-88	-64
Nov-88	-64

WATER CONSERVATION – SUMMARY – GROUND WATER**GROUND WATER FLUCTUATION:**

Location: Coastal Plain, City of Long Beach
Ground Surface Elevation: 88.8 ft above MSL

STATION	906D
	WS Elev.
Dec-88	-73.4
Jan-89	-57.4
Feb-89	-56.6
Mar-89	-59
Apr-89	-58.9
May-89	-61
Jun-89	-61
Jul-89	-71
Aug-89	-65
Sep-89	-67.5
Oct-89	-65
Nov-89	-52.9
Dec-89	-49
Jan-90	-47.1
Feb-90	-45.8
Mar-90	-47.4
Apr-90	-36.1
May-90	-35.9
Jun-90	-57.1
Jul-90	-65.7
Aug-90	-75.5
Sep-90	-71.3
Oct-90	-70.8
Nov-90	-55.9
Dec-90	-39.2
Jan-91	-29.2
Feb-91	-32.2
Mar-91	-32.1
Apr-91	-58.2
May-91	-30
Jun-91	-61.1
Jul-91	-65.3
Aug-91	-61.5
Oct-91	-61.5
Nov-91	-54.5
Dec-91	-49.6
Jan-92	-41.1
Feb-92	-43
Mar-92	-36.4
Apr-92	-34.8
May-92	-38.6
Jun-92	-48.4
Jul-92	-57.3
Aug-92	-60.8
Sep-92	-54

GROUND WATER FLUCTUATION:

Location: Coastal Plain, City of Long Beach
Ground Surface Elevation: 88.8 ft above MSL

STATION	906D
	WS Elev.
Oct-92	-51.5
Nov-92	-56.8
Dec-92	-59.2
Jan-93	-58.3
Feb-93	-58.2
Mar-93	-56.6
Apr-93	-30.4
May-93	-47
Jun-93	-34.6
Jul-93	-25.3
Aug-93	-17.7
Sep-93	-16.7
Oct-93	-14.8
Nov-93	-13.2
Dec-93	-8.7
Jan-94	-5.4
Feb-94	-8.5
Mar-94	-2
Apr-94	-0.5
Jun-94	-22.8
Jul-94	-37.7
Aug-94	-42.4
Sep-94	-48.1
Oct-94	-41.3
Nov-94	-26.5
Dec-94	-15.6
Jan-95	-13.2
Feb-95	-19.3
Mar-95	-21.2
Apr-95	-23.1
May-95	-27.3
Jun-95	-23.4
Jul-95	-30.2
Aug-95	-33
Sep-95	-35.9
Oct-95	-31.4
Nov-95	-19.5
Dec-95	-12.7
Jan-96	-8.9
Feb-96	-6.1
Mar-96	-0.7
Apr-96	8.2
May-96	-7.1
Jun-96	-19.7
Jul-96	-30.8

WATER CONSERVATION – SUMMARY – GROUND WATER

GROUND WATER FLUCTUATION:

Location: Coastal Plain, City of Long Beach
Ground Surface Elevation: 88.8 ft above MSL

STATION	906D
	WS Elev.
Aug-96	-41
Sep-96	-49
Oct-96	-38
Nov-96	-22.2
Dec-96	-48.2
Jan-97	-5.4
Feb-97	-1.4
Mar-97	3.2
Apr-97	-2.1
May-97	-33.2
Jun-97	-52
Jul-97	-66.2
Aug-97	-73.7
Sep-97	-80.7

GROUND WATER FLUCTUATION:

Location: Coastal Plain, City of Long Beach
Ground Surface Elevation: 88.8 ft above MSL

STATION	906D
	WS Elev.

WATER CONSERVATION – SUMMARY – GROUND WATER

GROUND WATER FLUCTUATION:**Location: Central Basin****Ground Surface Elevation: 159.7 ft above MSL**

STATION	1601T
	WS Elev.
Jul-64	91.8
Aug-64	89
Sep-64	80
Oct-64	75
Nov-64	75.5
Dec-64	84.3
Jan-65	109.2
Feb-65	102.8
Mar-65	105.4
Apr-65	110
May-65	109.6
Jun-65	115.2
Jul-65	114.3
Aug-65	110.4
Sep-65	102
Oct-65	98.5
Nov-65	101.6
Dec-65	104.4
Jan-66	109.2
Feb-66	114.3
Mar-66	116.9
Apr-66	118.1
May-66	120.8
Jun-66	120.8
Jul-66	118.7
Aug-66	112.2
Sep-66	109
Oct-66	112
Nov-66	115.8
Dec-66	115.7
Jan-67	120.9
Feb-67	120.4
Mar-67	120.4
Apr-67	120.4
May-67	123.9
Jun-67	124.3
Jul-67	119.1
Aug-67	112.4
Sep-67	106.2
Oct-67	109.8
Nov-67	113.1
Dec-67	114.9
Jan-68	115.9
Feb-68	116.3
Mar-68	114.4

Location: Central Basin**Ground Surface Elevation: 159.7 ft above MSL**

STATION	1601T
	WS Elev.
Apr-68	115.3
May-68	114.7
Jun-68	113.5
Jul-68	111.6
Aug-68	108.7
Sep-68	105.9
Oct-68	109.4
Nov-68	113
Dec-68	112
Jan-69	107.2
Feb-69	111
Mar-69	116
Apr-69	120.9
May-69	121.7
Jun-69	120.6
Jul-69	119.7
Aug-69	116.7
Sep-69	112.6
Oct-69	107.9
Nov-69	104.7
Dec-69	109.6
Jan-70	113.8
Feb-70	115.3
Mar-70	119.5
Apr-70	121.7
May-70	117.8
Jun-70	113.8
Jul-70	111.1
Aug-70	106.8
Sep-70	103.9
Oct-70	101.3
Nov-70	106.9
Dec-70	112.5
Jan-71	117
Feb-71	115.9
Mar-71	117.3
Apr-71	117
May-71	113.3
Jun-71	110.7
Jul-71	107.4
Aug-71	106.2
Sep-71	102.6
Oct-71	100.6
Nov-71	100.8

WATER CONSERVATION – SUMMARY – GROUND WATER**GROUND WATER FLUCTUATION:****Location: Central Basin****Ground Surface Elevation: 159.7 ft above MSL**

STATION	1601T
	WS Elev.
Dec-71	103
Jan-72	107
Feb-72	109.5
Mar-72	105.8
Apr-72	98.7
May-72	94.6
Jun-72	90.1
Jul-72	86.2
Aug-72	80.3
Sep-72	76.3
Oct-72	73.2
Nov-72	71.1
Dec-72	75.8
Jan-73	83
Feb-73	88.7
Mar-73	97.9
Apr-73	103.1
May-73	101.9
Jun-73	104.1
Jul-73	105.5
Aug-73	106.4
Sep-73	107.1
Oct-73	103.7
Nov-73	104.4
Dec-73	106
Jan-74	109.3
Feb-74	105.7
Mar-74	108.7
Apr-74	111.7
May-74	112.8
Jun-74	111.8
Jul-74	108.2
Aug-74	105.1
Sep-74	102.6
Oct-74	101.4
Nov-74	99.7
Dec-74	100
Jan-75	101.7
Feb-75	101.7
Mar-75	103.4
Apr-75	105.7
May-75	103.7
Jun-75	104.1
Jul-75	104.8
Aug-75	100.9

Location: Central Basin**Ground Surface Elevation: 159.7 ft above MSL**

STATION	1601T
	WS Elev.
Sep-75	96.7
Oct-75	93.4
Nov-75	91.4
Dec-75	90.1
Jan-76	89.3
Feb-76	89.7
Mar-76	95.3
Apr-76	93
May-76	93.6
Jun-76	84.3
Jul-76	88.3
Aug-76	85.5
Sep-76	77.9
Oct-76	77.7
Nov-76	74.1
Dec-76	69.8
Jan-77	69.2
Feb-77	79.8
Mar-77	89
Apr-77	87.6
May-77	81.7
Jun-77	80.2
Jul-77	74.9
Aug-77	70.2
Sep-77	67.1
Oct-77	64.5
Nov-77	61.7
Dec-77	59
Jan-78	65.2
Feb-78	81.7
Mar-78	91.8
Apr-78	96.8
May-78	101.5
Jun-78	103.4
Jul-78	101.2
Aug-78	101.4
Sep-78	101.1
Oct-78	102.8
Nov-78	104.6
Dec-78	107.8
Jan-79	111.4
Feb-79	114.4
Mar-79	115.3
Apr-79	116.4
May-79	113.5

WATER CONSERVATION – SUMMARY – GROUND WATER**GROUND WATER FLUCTUATION:****Location: Central Basin****Ground Surface Elevation: 159.7 ft above MSL**

STATION	1601T
	WS Elev.
Jun-79	114.5
Jul-79	111.4
Aug-79	112
Sep-79	113.1
Oct-79	113.7
Nov-79	112.7
Dec-79	114.1
Jan-80	113.4
Feb-80	117.4
Mar-80	119.9
Apr-80	123
May-80	122.5
Jun-80	121.3
Jul-80	119
Aug-80	113.6
Sep-80	108.8
Oct-80	107
Nov-80	109
Dec-80	112
Jan-81	114.2
Feb-81	115.1
Mar-81	115.9
Apr-81	116.4
May-81	115.5
Jun-81	114.2
Jul-81	111.6
Aug-81	110.5
Sep-81	110.8
Oct-81	110.6
Nov-81	109
Dec-81	108.6
Jan-82	111.2
Feb-82	114.5
Mar-82	115.1
Apr-82	117.3
May-82	115
Jun-82	110.4
Jul-82	107.9
Aug-82	104.7
Sep-82	100.3
Oct-82	103.1
Nov-82	108.3
Dec-82	113.6
Jan-83	115.3
Feb-83	117

Location: Central Basin**Ground Surface Elevation: 159.7 ft above MSL**

STATION	1601T
	WS Elev.
Mar-83	120.4
Apr-83	123.5
May-83	124.5
Jun-83	122.9
Jul-83	122.4
Aug-83	122.5
Sep-83	117.6
Oct-83	116.1
Nov-83	121.1
Dec-83	122.7
Jan-84	123.7
Feb-84	120.5
Mar-84	116
Apr-84	117.6
May-84	120.9
Jun-84	121.6
Jul-84	120.2
Aug-84	114.2
Sep-84	109.4
Oct-84	104.5
Nov-84	99.8
Jan-85	113.4
Feb-85	113.4
May-85	119.3
Jun-85	119.2
Jul-85	117.8
Aug-85	110.2
Sep-85	104.6
Oct-85	99.5
Nov-85	95.9
Dec-85	97.6
Jan-86	98.1
Feb-86	101.7
Mar-86	111.2
Apr-86	115.9
May-86	117.8
Jun-86	119.2
Jul-86	113.7
Aug-86	105.8
Sep-86	102
Oct-86	100.8
Nov-86	98.6
Dec-86	99.5
Jan-87	105.3
Feb-87	108.6

WATER CONSERVATION – SUMMARY – GROUND WATER**GROUND WATER FLUCTUATION:****Location: Central Basin****Ground Surface Elevation: 159.7 ft above MSL**

STATION	1601T
	WS Elev.
Mar-87	111
Apr-87	111.5
May-87	110.8
Jun-87	108.1
Jul-87	101.1
Aug-87	98.2
Sep-87	96.5
Oct-87	98.2
Nov-87	99.5
Dec-87	102.5
Jan-88	101.8
Feb-88	98.9
Mar-88	97.7
Apr-88	97.8
May-88	101.6
Jun-88	105.7
Jul-88	106.7
Aug-88	101.7
Sep-88	94.1
Oct-88	91.1
Nov-88	89
Dec-88	89.6
Jan-89	98.3
Feb-89	103.3
Mar-89	106.4
Apr-89	108.4
May-89	109.5
Jun-89	107.8
Jul-89	106.8
Aug-89	103.7
Sep-89	99.4
Oct-89	95.2
Nov-89	93.1
Dec-89	96.4
Jan-90	96.4
Feb-90	100.2
Mar-90	106.6
Apr-90	110.4
May-90	113.9
Jun-90	113
Jul-90	112.7
Aug-90	107.7
Sep-90	103.8
Oct-90	104.5
Nov-90	105.2

Location: Central Basin**Ground Surface Elevation: 159.7 ft above MSL**

STATION	1601T
	WS Elev.
Dec-90	104
Jan-91	102
Feb-91	107.2
Mar-91	106.1
Apr-91	120.8
May-91	113.8
Jun-91	110.5
Jul-91	107.1
Aug-91	107.2
Sep-91	109.1
Oct-91	111.4
Nov-91	115
Dec-91	115.6
Jan-92	116
Feb-92	115.7
Mar-92	119.7
Apr-92	121.1
May-92	118.7
Jun-92	115.7
Jul-92	116.8
Aug-92	118.6
Sep-92	114.8
Oct-92	111.7
Nov-92	115.7
Dec-92	116
Jan-93	121.1
Feb-93	125.3
Mar-93	125.3
Apr-93	129.2
May-93	127.3
Jun-93	123.5
Jul-93	123.7
Aug-93	123
Sep-93	123
Oct-93	120.4
Nov-93	120.7
Dec-93	121.6
Jan-94	124.5
Feb-94	124.3
Mar-94	126.6
Apr-94	127
May-94	126
Jun-94	126.3
Jul-94	126
Aug-94	121.9

WATER CONSERVATION – SUMMARY – GROUND WATER
--

GROUND WATER FLUCTUATION:**Location: Central Basin****Ground Surface Elevation: 159.7 ft above MSL**

STATION	1601T
	WS Elev.
Sep-94	115.2
Oct-94	110
Nov-94	110.5
Dec-94	113.1
Jan-95	117
Feb-95	124.8
Mar-95	126.9
Apr-95	129.5
May-95	128.6
Jun-95	126.9
Jul-95	125.7
Aug-95	121.8
Sep-95	116.3
Oct-95	111.8
Nov-95	113
Dec-95	113.7
Jan-96	115.9
Feb-96	119.7
Mar-96	126.1
Apr-96	128.5
May-96	128
Jun-96	124.4
Jul-96	125.9
Aug-96	123.2
Sep-96	119.7
Oct-96	119.2
Nov-96	116.7
Dec-96	117.9
Jan-97	117
Feb-97	129.8
Mar-97	127.9
Apr-97	125.5
May-97	127.1
Jun-97	125.2
Jul-97	124.8
Aug-97	123.1
Sep-97	118

Location: Central Basin**Ground Surface Elevation: 159.7 ft above MSL**

STATION	1601T
	WS Elev.

WATER CONSERVATION – SUMMARY – GROUND WATER

GROUND WATER FLUCTUATION:

Location: Main San Gabriel Basin
Ground Surface Elevation: 245.0 ft above MSL

STATION	2955X	2965C
	WS Elev.	WS Elev.
Jan-61	209.9	
Feb-61	210.5	
Mar-61	210.1	
Apr-61	210.5	
May-61	209.7	
Jun-61	208.5	
Jul-61	207.8	
Aug-61	204.9	
Sep-61	204.3	
Oct-61	205.2	
Nov-61	205.9	
Dec-61	206.1	
Jan-62	208	
Feb-62	208.5	
Mar-62	209.9	
Apr-62	210.7	
May-62	211.2	
Jun-62	210.3	
Jul-62	210	
Aug-62	209.1	
Sep-62	209.2	
Oct-62	209.5	
Nov-62	209.2	
Dec-62	209.3	
Jan-63	209.9	
Feb-63	209.8	
Mar-63	209.8	
Apr-63	209.9	
May-63	208.4	
Jun-63	207.5	
Jul-63	206.5	
Aug-63	203.4	
Sep-63	202.4	
Oct-63	201.8	
Nov-63	203.3	
Dec-63	204.3	
Jan-64	204.6	
Feb-64	203.6	
Mar-64	202.9	
Apr-64	201.3	
Jul-64	199.8	
Aug-64	198.2	
Sep-64	195.9	
Oct-64	195.1	
Nov-64	197.4	

Location: Main San Gabriel Basin
Ground Surface Elevation: 245.0 ft above MSL

STATION	2955X	2965C
	WS Elev.	WS Elev.
Dec-64	194.2	
Jan-65	199.1	
Feb-65	198.4	
Mar-65	199.1	
Apr-65	200.2	
May-65	200.3	
Jun-65	199.5	
Jul-65	199.4	
Aug-65	196.8	
Sep-65	195.1	
Oct-65	194	
Nov-65	194	
Dec-65	196.2	
Jan-66	202.1	
Feb-66	202.4	
Mar-66	205.4	
Apr-66	206.6	
May-66	207.3	
Jun-66	209.2	
Jul-66	206.4	
Aug-66	205.4	
Sep-66	204.6	
Oct-66	206.5	
Nov-66	206.3	
Dec-66	207.1	
Jan-67	208.5	
Feb-67	209.4	
Mar-67	210.2	
Apr-67	211.8	
May-67	212.5	
Jun-67	213.6	
Jul-67	213.8	
Aug-67	213.9	
Sep-67	213.9	
Oct-67	213.8	
Nov-67	215.1	
Dec-67	215.6	
Jan-68	216.8	
Feb-68	217.8	
Mar-68	217.9	
Apr-68	217.8	
May-68	217.6	
Jun-68	217.4	
Jul-68	217.3	
Aug-68	216	

WATER CONSERVATION – SUMMARY – GROUND WATER**GROUND WATER FLUCTUATION:**

Location: Main San Gabriel Basin
Ground Surface Elevation: 245.0 ft above MSL

STATION	2955X	2965C
	WS Elev.	WS Elev.
Sep-68	215.7	
Oct-68	215.4	
Nov-68	215.8	
Dec-68	215.3	
Jan-69	215.2	
Feb-69	217.6	
Mar-69	217.8	
Apr-69	218.8	
May-69	218.6	
Jun-69	218.9	
Jul-69	219.1	
Aug-69	218.9	
Sep-69	218	
Oct-69	218.3	
Nov-69	218.7	
Dec-69	218.5	
Jan-70	218.7	
Feb-70	218.5	
Mar-70	218.6	
Apr-70	218.3	
May-70	218	
Jul-70	217.1	
Aug-70	215.5	
Sep-70	215	
Oct-70	213.8	
Nov-70	213.2	
Dec-70	213.7	
Jan-71	213.9	
Feb-71	213.6	
Mar-71	213.7	
Apr-71	213.5	
May-71	214.6	
Jun-71	214.7	
Jul-71	214.4	
Aug-71	212.8	
Oct-71	207.1	
Nov-71	211.4	
Dec-71	211.3	
Jan-72	211.7	
Feb-72	212.8	
Mar-72	212.2	
Apr-72	210	
May-72	209.6	
Jun-72	208.1	
Jul-72	206.3	

Location: Main San Gabriel Basin
Ground Surface Elevation: 245.0 ft above MSL

STATION	2955X	2965C
	WS Elev.	WS Elev.
Aug-72	206.7	
Sep-72	204.3	
Oct-72	202.9	
Nov-72	202.9	
Dec-72	204.5	
Jan-73	204.7	
Feb-73	205.7	
Mar-73	206.1	
Apr-73	206.6	
May-73	207.4	
Jun-73	207.8	
Jul-73	207.5	
Aug-73	207.5	
Sep-73	207.2	
Oct-73	207.5	
Nov-73	206.7	
Dec-73	207.9	
Jan-74	207.8	
Feb-74	208.5	
Mar-74	208.5	
Apr-74	208.4	
May-74	208	
Jun-74	207.3	
Jul-74	206.5	
Aug-74	205.7	
Sep-74	205.4	
Oct-74	205.2	
Nov-74	205.2	
Dec-74	205	
Jan-75	205.2	
Feb-75	205	
Mar-75	205.3	
Apr-75	205	
May-75	204.2	
Jun-75	204.5	
Jul-75	204.2	
Aug-75	202.7	
Sep-75	201.8	
Oct-75	200.9	
Nov-75	200.6	
Dec-75	199.8	
Jan-76	200	
Feb-76	199.9	
Mar-76	200.2	
Apr-76	199.9	

WATER CONSERVATION – SUMMARY – GROUND WATER**GROUND WATER FLUCTUATION:**

Location: Main San Gabriel Basin
Ground Surface Elevation: 245.0 ft above MSL

STATION	2955X	2965C
	WS Elev.	WS Elev.
May-76	199.1	
Jun-76	198.3	
Jul-76	198.1	
Aug-76	197	
Sep-76	194.8	
Oct-76	194.5	
Nov-76	193.9	
Dec-76	193.4	
Jan-77	193.5	
Feb-77	194.1	
Mar-77	194.4	
Apr-77	194	
May-77	193	
Jun-77	192.5	
Jul-77	191.4	
Aug-77	188.9	
Sep-77	188.5	
Oct-77	187.1	
Nov-77	186.3	
Dec-77	185.6	
Jan-78	186.6	
Feb-78	191.3	
Mar-78	194.9	
Apr-78	199.9	
May-78	201.2	
Jun-78	202.7	
Jul-78	203.8	
Aug-78	204.5	
Sep-78	205.6	
Oct-78	206.1	
Nov-78	207.2	
Dec-78	207.9	
Jan-79	209.2	
Feb-79	209.9	
Mar-79	210.8	
Jul-79	211.4	
Sep-79	211.1	
Oct-79	211.2	
Nov-79	211.4	
Dec-79	211.1	
Jan-80	211.6	
Feb-80	213.5	
Mar-80	214.5	
Apr-80	214.4	
May-80	214.8	

Location: Main San Gabriel Basin
Ground Surface Elevation: 245.0 ft above MSL

STATION	2955X	2965C
	WS Elev.	WS Elev.
Jun-80	214.9	
Jul-80	214.6	
Aug-80	214.5	
Sep-80	214.5	
Oct-80	214.6	
Nov-80	214.8	
Dec-80	214.9	
Jan-81	214.9	
Feb-81	215.1	
Mar-81	215.5	
Apr-81	214.9	
May-81	212.7	
Jun-81	213.5	
Jul-81	213.2	
Aug-81	211.8	
Sep-81	212.1	
Jan-82	210.3	
Apr-82	210.7	
May-82	210.4	
Aug-82	208.7	
Sep-82	208.4	
Oct-82	208.1	
Nov-82	208.5	
Dec-82	209.2	
Jan-83	209.5	
Feb-83	210.8	
Mar-83	212.7	
Apr-83	213.5	
May-83	214.3	
Jun-83	214.4	
Jul-83	215	
Aug-83	215.1	
Sep-83	215.7	
Oct-83	216.2	
Nov-83	216.9	
Dec-83	217.3	
Jan-84	217.6	
Feb-84	217.6	
Mar-84	217.3	
Apr-84	217.3	
May-84	216.5	
Jun-84	216	
Jul-84	215.6	
Aug-84	214.2	
Sep-84	213.7	

WATER CONSERVATION – SUMMARY – GROUND WATER**GROUND WATER FLUCTUATION:**

Location: Main San Gabriel Basin
Ground Surface Elevation: 245.0 ft above MSL

STATION	2955X	2965C
	WS Elev.	WS Elev.
Oct-84	212.5	
Nov-84	213.1	
Dec-84	213.5	
Jan-85	213.6	
Feb-85	213.5	
Jun-85	211.7	
Jul-85	210.1	
Aug-85	209.2	
Sep-85	207.9	
Oct-85	207.7	
Nov-85	207.3	
Dec-85	208	
Jan-86	207.8	
Feb-86	208	
Mar-86	209.5	
Apr-86	209.8	
May-86	209.3	
Jun-86	209	
Jul-86	207.6	
Aug-86	206.1	
Sep-86	205.9	
Oct-86	204	
Nov-86	204.4	
Dec-86	204.5	
Jan-87	204.7	217.5
Feb-87	204.6	217.5
Mar-87	204.5	217.8
Apr-87	204.4	217.7
May-87	203.1	217
Jun-87	202.8	216.8
Jul-87	204.3	215.9
Aug-87	203.3	215.2
Sep-87	202.5	214.5
Oct-87	201.3	213.4
Nov-87	202.6	213.5
Dec-87	202.5	213.4
Jan-88	202.5	213.1
Feb-88	196.8	212.9
Mar-88	200.2	212.9
Apr-88	199.9	212.6
May-88	197.3	212.8
Jun-88	200.7	212.6
Jul-88	200.5	211.6
Aug-88	199	210.5
Sep-88	196.7	209

Location: Main San Gabriel Basin
Ground Surface Elevation: 245.0 ft above MSL

STATION	2955X	2965C
	WS Elev.	WS Elev.
Oct-88	196.1	207.9
Nov-88	188.2	207
Dec-88	190.3	206.9
Jan-89	198.2	207.7
Jul-89		207.4
Aug-89	200.5	213.1
Sep-89		203
Nov-89	192.7	201.4
Dec-89	193.3	201.9
Jan-90	195.5	200.4
Feb-90	197.6	197.1
Mar-90	204.7	197
Apr-90	188.4	
May-90	190.8	199.5
Jun-90	191.4	
Nov-90		199.4
Apr-92		201
Mar-93		219.1
Sep-93		220
Apr-94		222.3
Oct-94		217.8
Apr-95		220.2
Apr-96		223.3
Oct-96		220
May-97		220.1
Oct-97		215.4

WATER CONSERVATION – SUMMARY – GROUND WATER
GROUND WATER FLUCTUATION:

Location: Main San Gabriel Basin, Baldwin Park
Ground Surface Elevation: 386.7 ft above MSL

STATION	3030F
	WS Elev.
Jan-60	250.4
Feb-60	250.8
Mar-60	251
Apr-60	250.4
May-60	248.9
Jun-60	247.3
Jul-60	244.8
Aug-60	241.4
Sep-60	239
Oct-60	235.8
Nov-60	236.1
Dec-60	236.7
Jan-61	236.7
Feb-61	236.5
Mar-61	236.5
Apr-61	236.1
May-61	235.1
Jun-61	233.6
Jul-61	231.4
Aug-61	228.9
Sep-61	226.6
Oct-61	225
Nov-61	224.1
Dec-61	224.2
Jan-62	225.3
Feb-62	225.4
Mar-62	233.6
Apr-62	245
May-62	243.7
Jun-62	242.1
Jul-62	240.1
Aug-62	239.2
Sep-62	240.4
Oct-62	238.8
Nov-62	238.3
Dec-62	238
Jan-63	237.6
Feb-63	236.5
Mar-63	236
Apr-63	235.4
May-63	233.6
Jun-63	233
Jul-63	228.1
Aug-63	225
Sep-63	223.7

Location: Main San Gabriel Basin, Baldwin Park
Ground Surface Elevation: 386.7 ft above MSL

STATION	3030F
	WS Elev.
Oct-63	223.2
Nov-63	223.7
Dec-63	223.7
Jan-64	223.6
Feb-64	222.9
Mar-64	222.3
Apr-64	221.6
May-64	220.3
Jun-64	219.2
Jul-64	217.4
Aug-64	215.6
Sep-64	213.8
Oct-64	212.2
Nov-64	211.2
Dec-64	211.6
Jan-65	212
Feb-65	212.1
Mar-65	212
Apr-65	212.6
May-65	222.9
Jun-65	211.7
Jul-65	211.9
Aug-65	211.8
Sep-65	209.8
Oct-65	209.2
Nov-65	209.2
Dec-65	211.3
Jan-66	233.6
Feb-66	251.5
Mar-66	252.5
Apr-66	254.7
May-66	252.8
Jun-66	248.9
Jul-66	245.4
Aug-66	240.5
Sep-66	236
Oct-66	233.3
Nov-66	231.6
Dec-66	231.6
Jan-67	247.4
Feb-67	249.3
Mar-67	260
Apr-67	266.8
May-67	274.8
Jun-67	284.7

WATER CONSERVATION – SUMMARY – GROUND WATER
GROUND WATER FLUCTUATION:

Location: Main San Gabriel Basin, Baldwin Park
Ground Surface Elevation: 386.7 ft above MSL

STATION	3030F
	WS Elev.
Jul-67	287.7
Aug-67	284.9
Sep-67	280.6
Oct-67	276.8
Nov-67	275.3
Dec-67	274.7
Jan-68	277
Feb-68	276.4
Mar-68	275.7
Apr-68	274.9
May-68	273.7
Jun-68	271
Jul-68	268
Aug-68	264.6
Sep-68	260.4
Oct-68	258.5
Nov-68	256.9
Dec-68	256.3
Jan-69	256.6
Feb-69	260.4
Mar-69	278.3
Apr-69	293.9
May-69	300.3
Jun-69	301.8
Jul-69	298.6
Aug-69	293.3
Sep-69	288.5
Oct-69	284.1
Nov-69	280.2
Dec-69	278
Jan-70	276
Feb-70	274.5
Mar-70	273.3
Apr-70	277.4
May-70	277.7
Jun-70	274.2
Jul-70	270.8
Aug-70	266.7
Sep-70	263.2
Oct-70	260.1
Nov-70	258
Dec-70	256.6
Jan-71	257.1
Feb-71	261.3
Mar-71	262.9

Location: Main San Gabriel Basin, Baldwin Park
Ground Surface Elevation: 386.7 ft above MSL

STATION	3030F
	WS Elev.
Apr-71	261.6
May-71	259.6
Jun-71	257.7
Jul-71	255
Aug-71	251.5
Sep-71	248.1
Oct-71	245.2
Nov-71	243.6
Dec-71	242.8
Jan-72	242.1
Feb-72	243.2
Mar-72	243.1
Apr-72	242.2
May-72	240.3
Jun-72	237.9
Jul-72	234.7
Aug-72	230.9
Sep-72	228.1
Oct-72	226.1
Nov-72	224.9
Dec-72	225.3
Jan-73	226.7
Feb-73	226.3
Mar-73	229.7
Apr-73	244.7
May-73	250.3
Jun-73	250.8
Jul-73	247.4
Aug-73	243.6
Sep-73	239.3
Oct-73	236.9
Nov-73	235
Dec-73	234.7
Jan-74	234.8
Feb-74	237
Mar-74	240.7
Apr-74	240.6
May-74	240
Jun-74	238.7
Jul-74	238.5
Aug-74	237.1
Sep-74	235.6
Oct-74	233.5
Nov-74	231.8
Dec-74	230.6

WATER CONSERVATION – SUMMARY – GROUND WATER
GROUND WATER FLUCTUATION:

Location: Main San Gabriel Basin, Baldwin Park
Ground Surface Elevation: 386.7 ft above MSL

STATION	3030F
	WS Elev.
Jan-75	230.2
Feb-75	229.3
Mar-75	228.6
Apr-75	228.8
May-75	230.2
Jun-75	232.6
Jul-75	234.8
Aug-75	231.5
Sep-75	227.5
Oct-75	224.9
Nov-75	224.5
Dec-75	223.7
Jan-76	224.7
Feb-76	223.2
Mar-76	222.6
Apr-76	225.9
May-76	226.1
Jun-76	223.4
Jul-76	220.2
Aug-76	217.2
Sep-76	214.7
Oct-76	214
Nov-76	214
Dec-76	213.8
Jan-77	212.5
Feb-77	213.8
Mar-77	215.5
Apr-77	214.5
May-77	212.8
Jun-77	212.3
Jul-77	211
Aug-77	208.6
Sep-77	207
Oct-77	205.7
Nov-77	204.9
Dec-77	203.7
Jan-78	203.7
Feb-78	210
Mar-78	229.7
Apr-78	244.9
May-78	254.5
Jun-78	262.5
Jul-78	270.4
Aug-78	266.9
Sep-78	260.9

Location: Main San Gabriel Basin, Baldwin Park
Ground Surface Elevation: 386.7 ft above MSL

STATION	3030F
	WS Elev.
Oct-78	258.6
Nov-78	256.1
Dec-78	255.5
Jan-79	253.8
Feb-79	256.3
Mar-79	257.8
Apr-79	262.2
May-79	267.2
Jun-79	268.6
Jul-79	266
Aug-79	262
Sep-79	257.7
Oct-79	254
Nov-79	251.6
Dec-79	250.5
Jan-80	249.9
Feb-80	249.3
Mar-80	255.7
Apr-80	267
May-80	278
Jun-80	284.9
Jul-80	281.6
Aug-80	276.7
Sep-80	272
Oct-80	268.6
Nov-80	265.2
Dec-80	263.1
Jan-81	262.7
Feb-81	261.5
Mar-81	260.4
Apr-81	259.5
May-81	257.7
Jun-81	255.3
Jul-81	251.9
Aug-81	248.2
Sep-81	245.3
Oct-81	242.8
Nov-81	241.7
Dec-81	241.3
Jan-82	242.4
Feb-82	244.6
Mar-82	247.2
Apr-82	249.7
May-82	249.1
Jun-82	247.5

WATER CONSERVATION – SUMMARY – GROUND WATER**GROUND WATER FLUCTUATION:**

Location: Main San Gabriel Basin, Baldwin Park
Ground Surface Elevation: 386.7 ft above MSL

STATION	3030F
	WS Elev.
Jul-82	245.1
Aug-82	243.6
Sep-82	241.2
Oct-82	240.5
Nov-82	245.6
Dec-82	249.9
Jan-83	252.3
Feb-83	253.2
Mar-83	256.8
Apr-83	271.4
May-83	279.8
Jun-83	286.9
Jul-83	293.9
Aug-83	293.8
Sep-83	288.3
Oct-83	283.2
Nov-83	280.9
Dec-83	282.5
Jan-84	280.9
Feb-84	281.9
Mar-84	279.8
Apr-84	276.6
May-84	273.7
Jun-84	270
Jul-84	266.4
Aug-84	262.4
Sep-84	258.7
Oct-84	254
Nov-84	253.5
Dec-84	252.7
Jan-85	252.4
Feb-85	254.4
Mar-85	252.9
Apr-85	251.5
May-85	250.1
Jun-85	248
Jul-85	245.3
Aug-85	242.1
Sep-85	239.1
Oct-85	237.5
Nov-85	238.7
Dec-85	242.2
Jan-86	245.4
Feb-86	247.1
Mar-86	247.7

Location: Main San Gabriel Basin, Baldwin Park
Ground Surface Elevation: 386.7 ft above MSL

STATION	3030F
	WS Elev.
Apr-86	252.9
May-86	253.9
Jun-86	252.8
Jul-86	250.2
Aug-86	247.2
Sep-86	243.3
Oct-86	240.7
Nov-86	239
Dec-86	237.4
Jan-87	239
Feb-87	239.8
Mar-87	240.7
Apr-87	241.5
May-87	241
Jun-87	238.2
Jul-87	235.9
Aug-87	232.6
Sep-87	229.9
Oct-87	227.8
Nov-87	226.8
Dec-87	226.9
Jan-88	227.8
Feb-88	230.1
Mar-88	232.5
Apr-88	230.7
May-88	228.7
Jun-88	226.1
Jul-88	223.7
Aug-88	221.9
Sep-88	219.4
Oct-88	217.7
Nov-88	216.7
Dec-88	216.2
Jan-89	218.7
Feb-89	223.6
Mar-89	225.5
Apr-89	224.1
May-89	222.3
Jun-89	225.9
Jul-89	221.4
Aug-89	218.9
Sep-89	210.2
Oct-89	211.2
Nov-89	210.4
Dec-89	209.5

WATER CONSERVATION – SUMMARY – GROUND WATER
GROUND WATER FLUCTUATION:

Location: Main San Gabriel Basin, Baldwin Park
Ground Surface Elevation: 386.7 ft above MSL

STATION	3030F
	WS Elev.
Jan-90	208.8
Feb-90	207.9
Mar-90	207.7
Apr-90	207.8
May-90	209.5
Jun-90	208.3
Jul-90	205.7
Aug-90	203.5
Sep-90	201
Oct-90	191.7
Nov-90	199.8
Dec-90	200.5
Jan-91	199.8
Feb-91	198.5
Mar-91	196.7
Apr-91	198.4
May-91	200.7
Jun-91	200.7
Jul-91	198
Aug-91	199.7
Sep-91	212.4
Oct-91	206.3
Nov-91	209.3
Dec-91	209.9
Jan-92	210.5
Feb-92	210.9
Mar-92	215.8
Apr-92	226.1
May-92	233
Jun-92	233.5
Jul-92	237.5
Aug-92	238.1
Sep-92	235.5
Oct-92	232.1
Nov-92	230.7
Dec-92	231.5
93-JAN	238.5
Feb-93	246
Mar-93	254.8
Apr-93	263.4
May-93	269.3
Jun-93	271.3
Jul-93	266.8
Aug-93	263.6
Sep-93	259.7

Location: Main San Gabriel Basin, Baldwin Park
Ground Surface Elevation: 386.7 ft above MSL

STATION	3030F
	WS Elev.
Oct-93	259
Nov-93	259
Dec-93	257.1
Jan-94	255.4
Feb-94	253.2
Mar-94	251.4
Apr-94	249.3
May-94	247.8
Jun-94	249
JUL-94.	248.1
Aug-94	245.2
Sep-94	241.8
Oct-94	238.5
Nov-94	237
Dec-94	235.4
Jan-95	235.4
Feb-95	238.1
Mar-95	248.3
Apr-95	264.2
May-95	270.1
Jun-95	271.1
JUL-945	267.8
Aug-95	265.7
Sep-95	263
Oct-95	257.1
Nov-95	257.4
Dec-95	255.9
Jan-96	253.5
Feb-96	252.8
Mar-96	250.1
Apr-96	249.9
May-96	248.2
Jun-96	249.2
Jul-96	248.4
Aug-96	247.3
Sep-96	248
Oct-96	249.4
Nov-96	248.4
Dec-96	246.5
Jan-97	246.2
Feb-97	248.6
Mar-97	250.9
Apr-97	248.1
May-97	245.7
Jun-97	242.6

WATER CONSERVATION – SUMMARY – GROUND WATER**GROUND WATER FLUCTUATION:**

Location: Main San Gabriel Basin, Baldwin Park
Ground Surface Elevation: 386.7 ft above MSL

STATION	3030F
	WS Elev.
Jul-97	240.5
Aug-97	238.9
Sep-97	239.6

Location: Main San Gabriel Basin, Baldwin Park
Ground Surface Elevation: 386.7 ft above MSL

STATION	3030F
	WS Elev.

WATER CONSERVATION – SUMMARY – GROUND WATER

GROUND WATER FLUCTUATION:**Location: Pomona Basin****Ground Surface Elevation: 999.4 ft above MSL**

STATION	3251E	3261P	4469A
	WS Elev.	WS Elev.	WS Elev.
Jan-55	761.6		
Feb-55	766.2		
Mar-55	768.5		
Apr-55	763.9		
May-55	770.8		
Jun-55	770.8		
Jul-55	756.9		
Aug-55	725.8		
Sep-55	720		
Oct-55	738.5		
Nov-55	717.7		
Dec-55	754.6		
Jan-56	754.6		
Feb-56	756.9		
Mar-56	759.3		
Apr-56	759.3		
May-56	763.9		
Jun-56	763.9		
Jul-56	745.4		
Aug-56	731.5		
Sep-56	740.7		
Feb-57	746		
Mar-57	739.3		
Apr-57	746.2		
May-57	753.2		
Jun-57	750.9		
Jul-57	711.6		
Aug-57	689.7		
Sep-57	676		
Oct-57	711.6		
Nov-57	714		
Jan-58		663.1	
Feb-58	706.3	665.6	
Mar-58	716.9	664.4	
Apr-58	718	665.6	
May-58	631.4	640.2	
Jun-58	690.3	628.6	
Jul-58	682.3	647.1	
Aug-58	686.9	644.8	
Sep-58	654.6	646	
Oct-58	652.3	643.6	
Nov-58	686.9	644.8	
Dec-58	690.3	646	
Jan-59	691.5	646	
Feb-59	685.7	695.6	

Location: Pomona Basin**Ground Surface Elevation: 999.4 ft above MSL**

STATION	3251E	3261P	4469A
	WS Elev.	WS Elev.	WS Elev.
Mar-59	698.4	702.6	
Apr-59	707.7	702.6	
May-59	694.9	650.6	
Jun-59	690.3	647.1	
Jul-59	686.9	637.9	
Aug-59	675.3	663.3	
Sep-59	670.7	629.8	
Oct-59		624	
Nov-59	662.6	628.6	
Dec-59	669.6	626.3	
Jan-60	670.7	624	
Feb-60	674.2	627.5	
Mar-60	673	628.6	
Apr-60	673	626.3	
May-60	670.7	617.1	
Jun-60	676.1	624	
Jul-60	662.6	617.9	
Aug-60	637.2	607.9	
Sep-60	644.1	603.2	
Oct-60	641.8	606.7	
Nov-60	643	610.2	
Dec-60	663.8	663.3	
Jan-61	656.8	620.6	
Feb-61	675.3	672.5	
Mar-61	675.9	677.2	
Apr-61	682.3	679.5	
May-61	662.6		
Jun-61	655.7		
Jul-61	604.9	606.3	
Aug-61	624.5	621.3	
Sep-61	617.6	578.6	
Oct-61	623.3		
Nov-61	622.2		
Dec-61	629.1		
Jan-62	643	645.6	
Feb-62	646.5	643.3	
Mar-62	650	650.2	
Apr-62	652.3	652.5	
May-62	643		
Jun-62	640.8		
Jul-62	637.3	590.2	
Aug-62	640.8	622.5	
Sep-62	626.9	579.8	
Oct-62	632.7	585.6	
Nov-62	629.2	578.7	

WATER CONSERVATION – SUMMARY – GROUND WATER

GROUND WATER FLUCTUATION:**Location: Pomona Basin****Ground Surface Elevation: 999.4 ft above MSL**

STATION	3251E	3261P	4469A
	WS Elev.	WS Elev.	WS Elev.
Dec-62	629.2	574	
Jan-63	630.4	578.7	
Feb-63	629.2	630.6	
Mar-63	632.7	569.4	
Apr-63	623.5	576.4	
May-63	626.9	572.9	
Jun-63	628.1	613.3	
Jul-63	570.3	563.6	
Aug-63	608.4	601.7	
Sep-63	600.3	601.7	
Oct-63	548.3	555.5	
Nov-63	593.4	558	
Dec-63	609.6	556.9	
Jan-64	608.4	565.9	
Feb-64	620	619	
Mar-64	615.3	569.4	
Apr-64	608.4	562.5	
May-64	613	567.1	
Jun-64	606.1		
Jul-64	548.3	553.2	
Aug-64	584.1	550.9	
Sep-64	588.7	604.3	
Oct-64	583	539.6	
Nov-64	583	593.9	
Dec-64	593.4	597.4	
Jan-65	588.7	532.7	
Feb-65	588.7	522.3	
Mar-65	583	528.1	
Apr-65	585.3	533.8	
May-65	583	527	
Jun-65	537.9	521	
Jul-65	578.4	528.1	
Aug-65		517.7	
Sep-65	559.9	513.1	
Oct-65	571.4	520	
Nov-65	571.5		
Dec-65	574.9	575.3	
Jan-66		517.7	
Feb-66	581.8	580	
Mar-66	578.4	515.4	
Apr-66		517.7	
Jun-66	564.6		
Jul-66	551.9		
Aug-66	541.5		
Sep-66	541.5		

Location: Pomona Basin**Ground Surface Elevation: 999.4 ft above MSL**

STATION	3251E	3261P	4469A
	WS Elev.	WS Elev.	WS Elev.
Oct-66	546.1		
Nov-66	548.5	510.7	
Jan-67	553.1	499.2	
Feb-67	557.7	506.1	
Mar-67	549.6	499.2	
Apr-67	550.8	499.2	
May-67	550.8	499.2	
Jun-67	553.1	561.6	
Jul-67	543.8	496.9	
Aug-67	541.5	480.7	
Sep-67	536.9	477.2	
Oct-67	541.5	556.9	
Nov-67	553.1	492.3	
Dec-67	560		
Jan-68	566.9	495.7	
Feb-68	557.7	492.3	
Mar-68	560	496.9	
Apr-68	560	496.9	
May-68	562.3	490	
Jun-68	487.1	473.8	
Jul-68	549.6	555.9	
Aug-68	536.9		
Sep-68	535.7		
Oct-68	553.1		
Nov-68	546.1	501.6	
Dec-68	555.4	500.4	
Jan-69		493.5	
Feb-69	553.1	490	
Mar-69	557.7	565.1	
Apr-69	557.7	559.3	
May-69	472.2	490	
Jun-69	543.8	479.6	
Jul-69	553.1	480.8	
Aug-69	546.1	478.5	
Sep-69	430.6	446.1	
Oct-69	533.4	470.4	
Nov-69	541.5	473.8	
Dec-69	551.9	552.4	
Jan-70	554.2	543.1	
Feb-70	557.7	550.1	
Mar-70	564.6	555.8	
Apr-70	571.6	550.1	
May-70	574	488.8	
Jun-70	586	554.7	
Jul-70	590.7	575.5	

WATER CONSERVATION – SUMMARY – GROUND WATER**GROUND WATER FLUCTUATION:****Location: Pomona Basin****Ground Surface Elevation: 999.4 ft above MSL**

STATION	3251E	3261P	4469A
	WS Elev.	WS Elev.	WS Elev.
Aug-70	590.7	492.3	
Sep-70	597.7	495.8	
Oct-70	602.3	495.8	
Nov-70	608	498.6	
Dec-70	612.7	573.2	
Jan-71	623.1	588.2	
Feb-71	620.8	598.6	
Mar-71	635.8	605.5	
Apr-71	642.7	619.9	
May-71	643.9	533.9	
Jun-71	648.5	533.9	
Jul-71	646.2	527	
Aug-71	650.8	525.8	
Sep-71	650.8	569.1	
Oct-71	655.4	525.8	
Nov-71	655.5	524.7	
Dec-71	657.7	605.5	
Jan-72	657.7	525.8	
Feb-72	662.4	626.3	
Mar-72		536.2	
Apr-72	649.6	614.8	
May-72		531.6	
Jun-72		528.1	
Jul-72	669.5	515.4	
Aug-72		510.8	
Sep-72		501.6	
Oct-72		496.9	
Nov-72		500.4	
Dec-72	620.8	587	
Jan-73	628	591.7	
Feb-73	628	510.8	
Mar-73	620	591.7	
Apr-73	634	600.9	
May-73	593.1	605.5	
Jun-73	574.6	502.7	
Jul-73	567.9	499.3	
Aug-73	556.1	490.1	
Sep-73	542.3	487.7	
Oct-73	551.5	490	
Nov-73	537.7	475	
Dec-73	580.4	570.9	
Jan-74	605.8	486.6	
Feb-74	616.2	479.6	
Mar-74	613.9	477.3	
Apr-74	627.8	487.7	

Location: Pomona Basin**Ground Surface Elevation: 999.4 ft above MSL**

STATION	3251E	3261P	4469A
	WS Elev.	WS Elev.	WS Elev.
May-74	625.4	488.9	
Jun-74	593.1		
Jul-74	548.1	477.3	
Aug-74	537.7	471.5	
Sep-74	530.7	466.9	
Oct-74		461.1	
Nov-74	557.3	458.8	
Dec-74	585	559.3	
Jan-75	614	579	
Feb-75	619	600.9	
Mar-75	628.9	607.8	
Apr-75	637	614.8	
May-75	641.6	619.4	
Jun-75	632.4	610.1	
Jul-75	576.9	600.9	
Aug-75	553.8	503.9	
Sep-75	540	494.6	
Oct-75	573.5	478.5	
Nov-75	595.4	590.5	
Dec-75	607	600.9	
Jan-76	616.2	603.2	
Feb-76	623.2	605.5	
Mar-76	632.4	617.1	
Apr-76	634.7	619.4	
May-76	641.7	621.7	
Jun-76	572.3	515.4	
Jul-76	553.8	506.2	
Aug-76		567.4	
Sep-76	567.7	570.9	
Oct-76	593.2	587	
Nov-76	602.4	589.4	
Dec-76	608.1	607.8	
Jan-77	604.7	605.5	
Feb-77		610.1	
Mar-77	613.9	617.1	
Apr-77	630.1	617.1	
May-77	570.8	592.8	
Jun-77	579.2	596.3	
Jul-77	559.6		
Aug-77	544.5		
Sep-77	540		
Oct-77	530.7		
Nov-77	549.2		
Dec-77	579.3	559.3	
Jan-78	589.7		

WATER CONSERVATION – SUMMARY – GROUND WATER

GROUND WATER FLUCTUATION:**Location: Pomona Basin****Ground Surface Elevation: 999.4 ft above MSL**

STATION	3251E	3261P	4469A
	WS Elev.	WS Elev.	WS Elev.
Feb-78	593.1		
Mar-78	590.8		
Apr-78	604.7	577.8	
May-78	607		
Jun-78	616.2		
Nov-78	556.2	540.8	
Dec-78	556.2	540.8	
Jan-79	581.6	563.9	
Feb-79	507.6		
Mar-79	509.9		
Apr-79	485	531.6	
May-79	482.2		
Jun-79	484.5		
Jul-79	496.1		
Aug-79	478.8		
Sep-79	479.9		
Oct-79	483.4		
Nov-79	545.8	529.3	
Dec-79	533.1		
Jan-80	590.8	550.1	
Feb-80	600	552.4	
Mar-80	630.1		
Apr-80	641.6	598.6	
May-80	643.9		
Jun-80	611.6		
Jul-80	648.6		
Aug-80	593.1		
Sep-80	581.6		
Oct-80	576.9		
Nov-80	643.9	594	937.7
Dec-80	653.2		
Jan-81	664.7		
Feb-81	646.2	577.8	
Mar-81	677.4		932.7
Apr-81	671.7	624	
May-81	693.6	633.2	
Jun-81	650.9		
Jul-81	648.6		
Aug-81	648.6	610.1	
Sep-81	641.6		888.7
Oct-81	654.3		934.7
Nov-81	645.1		
Dec-81	655.5	562.8	
Jan-82	700.5		
Feb-82	740.9	672.5	

Location: Pomona Basin**Ground Surface Elevation: 999.4 ft above MSL**

STATION	3251E	3261P	4469A
	WS Elev.	WS Elev.	WS Elev.
Mar-82	743.3		
Apr-82	758.3	695.6	962.7
May-82	727.1		
Jun-82	678.6		
Jul-82	671.7		
Aug-82	670.5		
Sep-82	680.9		
Oct-82	671.7	644.8	952.7
Nov-82	741		
Dec-82	752.5	710.6	
Jan-83	773.3	725.6	
Feb-83	775.6	727.9	
Mar-83	781.4	729.1	
Apr-83	788.3	744.1	
May-83	740.9	727.9	947.7
Jun-83	777.4		966.7
Jul-83	771	710.6	
Oct-83	787.1	737.2	979.7
Nov-83	796.4	687.5	
Dec-83	810.2	684.1	
Jan-84	812.1	774.1	
Feb-84	825.3	704.8	
Apr-84	811.4	661	
May-84	815.6		
Jun-84	811.4	724.5	
Jul-84	823		
Aug-84	825.3		
Sep-84	911.9	771.8	
Oct-84	915.8	783.4	940.7
Nov-84	918.1	815.7	
Dec-84	921.8	693.3	
Jan-85	914.7	799.6	
Feb-85	947.7	771.8	
Mar-85	955.8	820.3	
Apr-85		820.3	933.7
Jun-85			971.7
Oct-85		855	
Nov-85			979.7
Apr-86		843.4	969.7
Aug-86			933.7
Dec-86		809.3	
Aug-87		870.4	
Oct-87		894	957.7
Nov-87		704.7	
Dec-87		817.9	

WATER CONSERVATION – SUMMARY – GROUND WATER

GROUND WATER FLUCTUATION:**Location: Pomona Basin****Ground Surface Elevation: 999.4 ft above MSL**

STATION	3251E	3261P	4469A
	WS Elev.	WS Elev.	WS Elev.
Jan-88		708.6	
Feb-88		700.9	
Mar-88		873.6	
Apr-88		872.4	
May-88		705.7	
Jun-88		698.2	
Dec-88		769.4	
Apr-89		807.5	
Sep-89		810.8	
Oct-89		805.5	976.7
Dec-89		834.1	
Apr-90		799.4	972.7
Oct-90			981.7
Apr-91			979.7
Sep-91		868.2	
Oct-91			971.4
Dec-91		783.3	
Apr-92		790.2	975.7
Oct-92			969.7
Dec-92		842.6	
Mar-93		852.1	
Apr-93		861.8	
May-93		852.5	
Jun-93		858.1	
Aug-93		872.4	
Sep-93		879.2	
Dec-93		891.5	
Jan-94		900.7	
Feb-94		912.6	
Mar-94		893.5	
Apr-94		889.3	
May-94		931.2	
Nov-94		931.5	
Dec-94		939.2	
Jan-95		950.2	
Feb-95		950.8	
Apr-95		920.1	
May-95		931	
Jun-95		943.7	
Jul-95		934.9	
Aug-95		903.1	
Sep-95		920.9	
Oct-95		935.8	
Nov-95		942.6	
Dec-95		940.6	

Location: Pomona Basin**Ground Surface Elevation: 999.4 ft above MSL**

STATION	3251E	3261P	4469A
	WS Elev.	WS Elev.	WS Elev.
Jan-96		920.9	
Feb-96		947.7	
Mar-96		938.6	
Apr-96		931.9	
May-96		918.3	
Jun-96		913.2	
Jul-96		927	
Aug-96		929.1	
Oct-96		911.8	
Nov-96		945.9	
Dec-96		949.4	
Jan-97		957	
Feb-97		961.4	
Mar-97		960.3	
Apr-97		956.8	
May-97		960.5	
Jun-97		960.6	
Jul-97		957.6	
Aug-97		960.5	
Sep-97		950.5	

WATER CONSERVATION – SUMMARY – GROUND WATER**GROUND WATER FLUCTUATION:**

Location: San Fernando Valley, Canoga Park
Ground Surface Elevation: 788.5 ft above MSL

STATION	4709	3600H
	WS Elev.	WS Elev.
Jan-61	776.2	
Feb-61	776.4	
Mar-61	775.4	
Apr-61	774.8	
May-61	774.2	
Jun-61	773.7	
Jul-61	773	
Aug-61	772.9	
Sep-61	772.5	
Oct-61	772	
Nov-61	771.4	
Dec-61	772.7	
Jan-62	773.3	
Feb-62	774.2	
Mar-62	776	
Apr-62	776.2	
May-62	776.3	
Jun-62	776.2	
Jul-62	775	
Aug-62	773.5	
Sep-62	772.8	
Oct-62	773	
Nov-62	773.3	
Dec-62	772.6	
Jan-63	772.2	
Feb-63	772.2	
Mar-63	772.6	
Apr-63	772.7	
May-63	772.7	
Jun-63	772.6	
Jul-63	771.9	
Aug-63	770.8	
Sep-63	771.6	
Oct-63	772.5	
Nov-63	771.8	
Dec-63	772.6	
Jan-64	773.4	
Feb-64	773.4	
Mar-64	772.5	
Apr-64	772.2	
May-64	772	
Jun-64	771.8	
Jul-64	771.3	
Aug-64	770.9	
Sep-64	770.5	

Location: San Fernando Valley, Canoga Park
Ground Surface Elevation: 788.5 ft above MSL

STATION	4709	3600H
	WS Elev.	WS Elev.
Oct-64	770	
Nov-64	770	
Dec-64	769.9	
Jan-65	770.5	
Feb-65	770.3	
Mar-65	770.4	
Apr-65	770.9	
May-65	770.9	
Jun-65	770.4	
Jul-65	769.7	
Aug-65	769.5	
Sep-65	769.2	
Oct-65	768.7	
Nov-65	768.6	
Dec-65	770.6	
Jan-66	771	
Feb-66	772.8	
Mar-66	773	
Apr-66	771.8	
May-66	771.6	
Jun-66	771.5	
Jul-66	771.8	
Aug-66	770.8	
Sep-66	769.8	
Oct-66	770.4	
Nov-66	771.2	
Dec-66	771.9	
Jan-67	772.3	
Feb-67	772.4	
Mar-67	772.8	
Apr-67	772.1	
May-67	772.6	
Jun-67	772.1	
Jul-67	772.1	
Aug-67	772.3	
Sep-67	772.1	
Oct-67	772	
Nov-67	771.8	
Dec-67	772.6	
Jan-68	773	
Feb-68	773	
Mar-68	773.2	
Apr-68	773.4	
May-68	772	
Jun-68	771.1	

WATER CONSERVATION – SUMMARY – GROUND WATER**GROUND WATER FLUCTUATION:**

Location: San Fernando Valley, Canoga Park
Ground Surface Elevation: 788.5 ft above MSL

STATION	4709	3600H
	WS Elev.	WS Elev.
Jul-68	771	
Aug-68	770.7	
Sep-68	770.4	
Oct-68	770.1	
Nov-68	770.1	
Dec-68	770.1	
Jan-69	770.2	
Feb-69	773.4	
Mar-69	773.8	
May-69	773.8	
Jun-69	773.6	
Jul-69	773.5	
Aug-69	773.7	
Sep-69	773.6	
Oct-69	771.8	
Nov-69	773	
Dec-69	772.6	
Jan-70	772.3	
Feb-70	772.5	
Mar-70	773.2	
Apr-70	772.9	
May-70	773	
Jun-70	772.1	
Jul-70	772	
Aug-70	771.9	
Sep-70	771.6	
Oct-70	771.2	
Nov-70	771.7	
Dec-70	772.1	
Jan-71	772.9	
Feb-71	772.1	
Mar-71	771.7	
Apr-71	771.7	
May-71	771.6	
Jun-71	771.4	
Jul-71	771.3	
Oct-71	769.8	
Nov-71	769.7	
Dec-71	769.5	
Jan-72	770.3	
Feb-72	770.6	
Mar-72	770.1	
Apr-72	769.5	
May-72	769.2	
Jun-72	769.1	

Location: San Fernando Valley, Canoga Park
Ground Surface Elevation: 788.5 ft above MSL

STATION	4709	3600H
	WS Elev.	WS Elev.
Jul-72	769.5	
Aug-72	769.6	
Sep-72	769.5	
Oct-72	769.5	
Nov-72	769.1	
Dec-72	769.3	
Jan-73	769	
Feb-73	770	
Mar-73	770.2	
Apr-73	770.3	
May-73	770.3	
Jul-73	770.1	
Aug-73	769.8	
Nov-73	768.7	
Dec-73	768.9	
Jan-74	769.6	
Feb-74	769.7	
Mar-74	769.9	
Apr-74	769.9	
May-74	769.7	
Jun-74	769.6	
Jul-74	769.3	
Aug-74	769.1	
Sep-74	769	
Oct-74	768.7	
Nov-74	768.7	
Dec-74	768.7	
Jan-75	768.8	
Feb-75	768.9	
Mar-75	769.1	
Apr-75	769.2	
May-75	769.3	
Jun-75	769.1	
Jul-75	769.3	
Aug-75	768.6	
Sep-75	768.4	
Oct-75	768.2	
Nov-75	768.1	
Dec-75	768.1	
Jan-76	768.1	
Feb-76	768.1	
Apr-76	768.2	
May-76	768.2	
Aug-76	767.4	
Sep-76	767.3	

WATER CONSERVATION – SUMMARY – GROUND WATER**GROUND WATER FLUCTUATION:**

Location: San Fernando Valley, Canoga Park
Ground Surface Elevation: 788.5 ft above MSL

STATION	4709	3600H
	WS Elev.	WS Elev.
Oct-76	767.2	
Nov-76	766.9	
Dec-76	766.7	
Jan-77	766.9	
Feb-77	767	
Mar-77	766.8	
Apr-77	766.9	
Jun-77	766.5	
Jul-77	766.2	
Aug-77	766	
Sep-77	765.8	
Oct-77	765.4	
Nov-77	765.4	
Dec-77	765.2	
Jan-78	765.7	
Feb-78	766.2	
Mar-78	767.5	
Apr-78	767.7	
May-78	767.8	
Jun-78	767.7	
Jul-78	767.6	
Aug-78	767.4	
Sep-78	767.3	
Oct-78	767.2	
Nov-78	767.2	
Dec-78	766.8	
Jan-79	767.4	
Mar-79	768.4	
Apr-79	768.6	
May-79	768.7	
Jun-79	768.7	
Aug-79	768.5	
Sep-79	768.3	
Oct-79	768.4	
Nov-79	768.2	
Dec-79	768.2	
Jan-80	768.5	
Feb-80	769.5	
Mar-80	770	
Nov-80	769.6	
Nov-81	769.3	
Apr-82	769.9	
Nov-82	769.1	
Apr-83	771.1	
Oct-83	771.2	

Location: San Fernando Valley, Canoga Park
Ground Surface Elevation: 788.5 ft above MSL

STATION	4709	3600H
	WS Elev.	WS Elev.
Jan-84	771.4	
Feb-84	771.5	
Mar-84	771.5	
Apr-84	771.5	
May-84	771.5	
Jun-84	771.4	
Jul-84	771.2	
Aug-84	771	
Sep-84	770.8	
Oct-84	770.7	
Nov-84	770.4	
Jan-85	770.7	
Feb-85	771	
Mar-85	770.7	
Apr-85	770.7	
May-85	770.6	
Jun-85	770.5	
Jul-85	770.2	
Aug-85	770	
Sep-85	769.9	
Nov-85	769.7	
Dec-85	769.9	
Jan-86	769.9	
Mar-86	770.6	
Apr-86	770.7	
May-86	770.7	
Oct-86	769.9	
Nov-86	769.8	
Dec-86	769.7	
Jan-87	769.6	
Apr-87	769.4	
May-87	769.2	
Jun-87	768.6	
Jul-87	768.9	
Aug-87	768.7	
Sep-87	768.6	
Oct-87	768.4	
Nov-87	768.7	
Dec-87	768.7	
Jan-88	768.7	
Mar-88	768.8	
May-88	768.9	
Jun-88	768.8	
Jul-88	768.6	
Aug-88	768.3	

WATER CONSERVATION – SUMMARY – GROUND WATER**GROUND WATER FLUCTUATION:**

Location: San Fernando Valley, Canoga Park
Ground Surface Elevation: 788.5 ft above MSL

STATION	4709	3600H
	WS Elev.	WS Elev.
Sep-88	768.2	
Oct-88	768.1	
Nov-88	767.8	
Dec-88	767.8	
Feb-89	766.4	
Mar-89	768	
Apr-89	768	
Sep-89	766.6	
Oct-89	766.4	
Nov-89	766.3	
Dec-89	766.3	
Apr-90	766.3	
May-90	766.1	
Jun-90	765.8	
Jul-90	765.5	
Aug-90	765.5	
Sep-90	765.2	
Oct-90	764.7	
Nov-90	764.6	
Dec-90	764.8	
Jan-91	764.8	
Feb-91	764.8	
Mar-91	764.9	
Apr-91	765.2	
May-91	765.2	
Jun-91	765	
Jul-91	764.7	
Aug-91	764.5	
Sep-91	764.3	
Oct-91	764	
Nov-91	763.8	
Dec-91	763.6	
Jan-92	764	
Feb-92	764.4	774.1
Mar-92	765.2	774.6
Apr-92	765.3	
May-92	765.6	775.1
Jun-92	765.6	774.7
Jul-92	765.4	774.1
Aug-92	765.1	774.2
Sep-92	764.9	773.7
Oct-92	764.6	773.5
Nov-92	764.6	773.4
Dec-92	764.7	773.4
Jan-93	765.4	

Location: San Fernando Valley, Canoga Park
Ground Surface Elevation: 788.5 ft above MSL

STATION	4709	3600H
	WS Elev.	WS Elev.
Feb-93	766	776.6
Mar-93	766.8	
Apr-93	766.9	
May-93	766.8	776.1
Jun-93	766.7	775.9
Jul-93	766.5	775.3
Aug-93	766.4	774.9
Sep-93	766.4	774.7
Nov-93	766.1	774.2
Dec-93	764.7	774.2
Jan-94	766.2	774.1
Feb-94	766.3	774.2
Mar-94	766	774.1
Apr-94	765.9	
May-94	765.9	
Jun-94	765.8	
Jul-94	765.6	
Aug-94	765.6	773.9
Sep-94	765.1	773.6
Oct-94	765	773.5
Nov-94	765	773.5
Dec-94	764.9	773.3
Jan-95	765.4	773.4
Feb-95	766.1	774.6
Mar-95	766.4	774.9
Apr-95	766.7	
May-95	766.7	774.9
Jun-95	766.7	774.8
Jul-95	destroyed	774.5
Sep-95		774.3
Oct-95		774
Mar-96		773.8
Apr-97		773.5

WATER CONSERVATION – SUMMARY – GROUND WATER

GROUND WATER FLUCTUATION:

Location: San Fernando Valley, Burbank
Ground Surface Elevation: 546.5 ft above MSL

STATION	3872 H
	WS Elev.
Jul-64	439.8
Oct-64	430.2
Nov-64	430.7
Dec-64	430
Jan-65	433
Feb-65	431.5
Mar-65	431.1
Apr-65	429.8
May-65	427.3
Jul-65	426
Aug-65	425.5
Sep-65	426.7
Oct-65	427.7
Nov-65	425.2
Dec-65	424.9
Jan-66	424.7
Feb-66	425.2
Mar-66	424.7
Apr-66	423
May-66	422
Jun-66	422
Jul-66	418.1
Aug-66	415.3
Sep-66	415.4
Oct-66	414.5
Nov-66	415.7
Dec-66	417.5
Jan-67	414.7
Feb-67	414.2
Mar-67	414.9
Apr-67	414.4
May-67	415
Jun-67	413.8
Jul-67	413.4
Aug-67	413
Sep-67	411.9
Oct-67	412.6
Nov-67	412.1
Dec-67	412.4
Jan-68	413
Feb-68	414
Mar-68	412.8
Apr-68	412.1
May-68	411.6
Jun-68	411.3

Location: San Fernando Valley, Burbank
Ground Surface Elevation: 546.5 ft above MSL

STATION	3872 H
	WS Elev.
Jul-68	411.1
Aug-68	410.3
Sep-68	410.9
Oct-68	410.4
Nov-68	412.1
Dec-68	411.7
Jan-69	412.8
Feb-69	420.2
Mar-69	421.3
Apr-69	422.2
May-69	421.7
Jun-69	419.1
Jul-69	414.8
Aug-69	414.2
Sep-69	414.9
Oct-69	415.6
Nov-69	415
Dec-69	416.7
Jan-70	420.4
Feb-70	420.4
Mar-70	420.6
Apr-70	422.7
May-70	421.4
Jun-70	422.4
Jul-70	421.6
Aug-70	421.4
Sep-70	421.7
Oct-70	422
Nov-70	423.3
Dec-70	424.2
Feb-71	421.6
Mar-71	423
Apr-71	427.2
May-71	427.6
Jun-71	428
Jul-71	425.6
Aug-71	425.1
Sep-71	428.2
Oct-71	427.7
Nov-71	429.1
Jan-72	436.5
Feb-72	436.7
May-72	430.4
Jun-72	430.6
Jul-72	429.5

WATER CONSERVATION – SUMMARY – GROUND WATER
GROUND WATER FLUCTUATION:

Location: San Fernando Valley, Burbank
Ground Surface Elevation: 546.5 ft above MSL

STATION	3872 H
	WS Elev.
Aug-72	428.5
Sep-72	427.2
Oct-72	427.8
Nov-72	429.4
Dec-72	430.6
Jan-73	430.8
Feb-73	431.3
Mar-73	432.6
Apr-73	431.8
May-73	432.1
Jun-73	436.6
Aug-73	436
Sep-73	429.8
Nov-73	436.4
Jan-74	439.2
Feb-74	439.9
Mar-74	439.6
Apr-74	438.8
May-74	439.1
Jun-74	439.9
Jul-74	438.7
Aug-74	438.1
Sep-74	438.2
Oct-74	438.1
Nov-74	438.8
Dec-74	438.7
Jan-75	440.5
Feb-75	440
Mar-75	439.8
Apr-75	440.4
May-75	440.2
Jun-75	441.5
Jul-75	437.5
Sep-75	430.9
Oct-75	435.9
Nov-75	437.1
Dec-75	439.5
Jan-76	440.5
Feb-76	439.7
Mar-76	439.5
Apr-76	440.1
May-76	440.7
Jun-76	440.5
Jul-76	438.3
Aug-76	439

Location: San Fernando Valley, Burbank
Ground Surface Elevation: 546.5 ft above MSL

STATION	3872 H
	WS Elev.
Sep-76	438.3
Oct-76	438.8
Nov-76	438.9
Jan-77	439.5
Feb-77	439.9
Mar-77	439.6
Apr-77	439.9
May-77	438.8
Jun-77	435.8
Jul-77	435.7
Aug-77	429.4
Sep-77	427.6
Oct-77	433.7
Nov-77	434.7
Dec-77	432.2
Jan-78	435.7
Mar-78	436.8
Apr-78	437.7
May-78	439.1
Jun-78	439.2
Jul-78	437.4
Aug-78	439.3
Sep-78	439.2
Oct-78	439.7
Nov-78	441.5
Dec-78	445.2
Jan-79	446.4
Feb-79	450
Mar-79	450
Apr-79	450.6
May-79	449.2
Jun-79	451.9
Jul-79	452
Aug-79	452.4
Sep-79	452.9
Oct-79	450.2
Nov-79	456.5
Jan-80	458.8
Mar-80	461.6
Apr-80	462.2
May-80	463.7
Jun-80	465.2
Jul-80	466.7
Aug-80	467
Sep-80	466.4

WATER CONSERVATION – SUMMARY – GROUND WATER
GROUND WATER FLUCTUATION:

Location: San Fernando Valley, Burbank
Ground Surface Elevation: 546.5 ft above MSL

STATION	3872 H
	WS Elev.
Oct-80	470.2
Dec-80	472.6
Jan-81	474.2
Feb-81	475.6
Mar-81	476.5
Apr-81	477.3
May-81	475.8
Jun-81	476.4
Jul-81	476.2
Aug-81	476.2
Sep-81	471.2
Oct-81	475.4
Dec-81	478.2
Jan-82	478.3
Feb-82	477.9
Mar-82	478.1
Apr-82	479.7
Jun-82	480.2
Jul-82	480.2
Sep-82	480.5
Oct-82	478.5
Nov-82	479.7
Dec-82	479.1
Feb-83	479.7
Mar-83	480.8
Apr-83	481.2
May-83	484.2
Jun-83	483.5
Jul-83	483.7
Aug-83	484
Sep-83	485.4
Oct-83	487.9
Nov-83	487.6
Dec-83	487.2
Jan-84	487.7
Feb-84	490.7
Mar-84	490
Apr-84	491.9
May-84	490.3
Jun-84	489.9
Jul-84	490.3
Aug-84	488.5
Sep-84	487.7
Oct-84	487.8
Nov-84	486

Location: San Fernando Valley, Burbank
Ground Surface Elevation: 546.5 ft above MSL

STATION	3872 H
	WS Elev.
Dec-84	486.2
Jan-85	487.4
May-85	489.2
Jun-85	489
Jul-85	488.7
Aug-85	487.9
Sep-85	488.5
Oct-85	487.8
Nov-85	487.6
Dec-85	487.3
Jan-86	487.9
Feb-86	489.3
Mar-86	489.5
Apr-86	489.2
May-86	489.2
Jun-86	488.8
Jul-86	489.2
Aug-86	488.8
Sep-86	488.9
Oct-86	489.3
Nov-86	489.5
Dec-86	489.8
Jan-87	489.2
Feb-87	490.4
Mar-87	490.7
Apr-87	488.9
May-87	489.5
Jun-87	491.4
Aug-87	488
Sep-87	487.1
Oct-87	486.8
Nov-87	486.2
Jan-88	485.2
Feb-88	485
Mar-88	485.4
Apr-88	483.9
May-88	483.4
Jun-88	483
Jul-88	482.1
Aug-88	481.7
Sep-88	481.1
Oct-88	480.9
Nov-88	480.4
Dec-88	480
Jan-89	479.7

WATER CONSERVATION – SUMMARY – GROUND WATER
GROUND WATER FLUCTUATION:

Location: San Fernando Valley, Burbank
Ground Surface Elevation: 546.5 ft above MSL

STATION	3872 H
	WS Elev.
Feb-89	479.4
Mar-89	478.8
Apr-89	478.5
May-89	477.8
Jun-89	477.6
Jul-89	477.3
Aug-89	476.6
Sep-89	475.9
Oct-89	475.7
Nov-89	475.9
Dec-89	475.8
Jan-90	476.1
Feb-90	476.6
Mar-90	476.9
Apr-90	476.7
May-90	476.6
Jun-90	474.5
Aug-90	473.6
Sep-90	472.8
Oct-90	473.2
Nov-90	472.8
Dec-90	473.9
Jan-91	473.5
Feb-91	473.8
May-91	472.7
Jun-91	472
Jul-91	470.8
Aug-91	471.4
Sep-91	470.6
Oct-91	470.6
Nov-91	469.6
Dec-91	469.7
Jan-92	469.8
Mar-92	469.5
Apr-92	469.5
May-92	469
Jun-92	469
Jul-92	468.4
Nov-92	463.2
Dec-92	461.6
Jul-93	473.7
Sep-93	467
Oct-93	468.4
Nov-93	467.5
Dec-93	468.1

Location: San Fernando Valley, Burbank
Ground Surface Elevation: 546.5 ft above MSL

STATION	3872 H
	WS Elev.
Feb-94	479.2
Mar-94	474
Apr-94	472
May-94	480.9
Jun-94	478
Jul-94	473.5
Aug-94	473
Sep-94	473.7
Oct-94	473.7
Nov-94	472.5
Dec-94	476.7
Jan-95	473.7
Feb-95	474.3
Mar-95	474.7
Apr-95	474.5
May-95	474.6
Jun-95	475.1
Jul-95	475.2
Sep-95	475.1
Oct-95	476.6
Nov-95	485.6
Dec-95	477.3
Jan-96	476.7
Feb-96	483.4
Mar-96	484.1
Apr-96	483.3
May-96	477.2
Jun-96	475.9
Jul-96	474.9
Aug-96	474.6
Sep-96	473.4
Oct-96	482
Nov-96	475.4
Dec-96	478.2
Jan-97	483.1
Mar-97	483.1
Apr-97	483.2
May-97	474.7
Jun-97	477.6
Aug-97	478
Sep-97	471.1

WATER CONSERVATION – SUMMARY – GROUND WATER**GROUND WATER FLUCTUATION:****Location: Raymond Basin****Ground Surface Elevation: 749.9 ft above MSL**

STATION	4057 H
	WS Elev.
Jan-52	639.3
Feb-52	642.1
Aug-52	642.3
Sep-52	641.1
Oct-52	640.5
Nov-52	640.1
Dec-52	640.2
Jan-53	641.1
Feb-53	640.1
Mar-53	640.6
Apr-53	641.3
May-53	641.4
Jun-53	641.5
Jul-53	640.2
Aug-53	640.2
Sep-53	640.3
Oct-53	639.4
Nov-53	636.9
Dec-53	639.5
Jan-54	641.9
Mar-54	640.4
Apr-54	639.5
May-54	640.7
Jun-54	637.7
Jul-54	640.4
Aug-54	640.5
Sep-54	638
Oct-54	640.3
Nov-54	640.3
Dec-54	641
Jan-55	638.2
Feb-55	642.3
Mar-55	642
Apr-55	643
May-55	641.1
Jun-55	643.9
Jul-55	644.5
Aug-55	643.8
Sep-55	642.2
Oct-55	644.1
Nov-55	643.4
Dec-55	642.9
Jan-56	644.9
Feb-56	645.1
Mar-56	643.5

Location: Raymond Basin**Ground Surface Elevation: 749.9 ft above MSL**

STATION	4057 H
	WS Elev.
Apr-56	642.6
May-56	640.2
Jun-56	640.9
Jul-56	642
Aug-56	640.6
Sep-56	639.9
Oct-56	639.5
Nov-56	638.7
Dec-56	638.1
Jan-57	637.9
Feb-57	637.3
Mar-57	637
Apr-57	636.9
May-57	636.4
Jun-57	637.3
Jul-57	640
Aug-57	637.3
Sep-57	635.9
Oct-57	635.1
Nov-57	637.8
Dec-57	638.7
Jan-58	638.7
Feb-58	638.7
Mar-58	636.8
Apr-58	638
May-58	635
Jun-58	633.9
Jul-58	636.1
Aug-58	637
Sep-58	636.4
Oct-58	636.4
Nov-58	635.9
Dec-58	635.7
Jan-59	635.2
Feb-59	635
Mar-59	634.7
Apr-59	634.2
May-59	634
Jun-59	632.8
Jul-59	633
Aug-59	630.8
Sep-59	632.1
Oct-59	631.9
Nov-59	631.3
Dec-59	631.1

WATER CONSERVATION – SUMMARY – GROUND WATER

GROUND WATER FLUCTUATION:

Location: Raymond Basin
Ground Surface Elevation: 749.9 ft above MSL

STATION	4057 H
	WS Elev.
Jan-60	630.7
Feb-60	630.4
Mar-60	630.1
Apr-60	629.8
May-60	629.7
Jun-60	629.6
Jul-60	629.3
Aug-60	629.1
Sep-60	626.1
Oct-60	616.1
Nov-60	628
Dec-60	627.7
Jan-61	626.7
Feb-61	627.4
Mar-61	626.7
Apr-61	626.6
May-61	625.8
Jun-61	625.7
Jul-61	625.4
Aug-61	624.9
Sep-61	624.3
Oct-61	623.9
Nov-61	622.4
Dec-61	622.4
Jan-62	622.7
Feb-62	622.6
Mar-62	622.2
Apr-62	619.3
May-62	618.4
Jun-62	616.2
Jul-62	618.4
Aug-62	618.6
Sep-62	618.5
Oct-62	618.4
Nov-62	617.9
Dec-62	617.7
Jan-63	617.2
Feb-63	616.7
Mar-63	616.5
Apr-63	616
May-63	614.1
Jun-63	614.5
Jul-63	614.8
Aug-63	614.1
Sep-63	613.6

Location: Raymond Basin
Ground Surface Elevation: 749.9 ft above MSL

STATION	4057 H
	WS Elev.
Oct-63	610.8
Nov-63	611.7
Dec-63	612.1
Jan-64	611.3
Feb-64	610.9
Mar-64	610.9
Apr-64	610.3
May-64	609.9
Jun-64	608.9
Jul-64	608.9
Aug-64	607.8
Sep-64	607.9
Oct-64	607.7
Nov-64	607.3
Dec-64	606.2
Jan-65	606.2
Feb-65	606
Mar-65	605.6
Apr-65	605.4
May-65	605.2
Jun-65	604.9
Jul-65	604.7
Aug-65	604.4
Sep-65	604.1
Oct-65	603.7
Nov-65	603.3
Dec-65	602.9
Jan-66	602.4
Feb-66	602.2
Mar-66	601.8
Apr-66	601.4
May-66	598.3
Jun-66	600.8
Jul-66	596.9
Aug-66	593.9
Sep-66	591.8
Oct-66	591
Nov-66	590.2
Dec-66	588.8
Jan-67	587.8
Feb-67	587
Mar-67	586.6
Apr-67	585.9
May-67	585.4
Jun-67	584.9

WATER CONSERVATION – SUMMARY – GROUND WATER

GROUND WATER FLUCTUATION:

Location: Raymond Basin
Ground Surface Elevation: 749.9 ft above MSL

STATION	4057 H
	WS Elev.
Jul-67	583.2
Aug-67	584.5
Sep-67	584.1
Oct-67	583.7
Nov-67	583.6
Dec-67	583.3
Jan-68	582.9
Feb-68	582.5
Mar-68	582.7
Apr-68	582.7
May-68	582.1
Jun-68	581.6
Jul-68	581.4
Aug-68	581.9
Sep-68	581.4
Oct-68	581.3
Nov-68	581.5
Dec-68	581.1
Jan-69	580.4
Feb-69	581.3
Mar-69	581.4
Apr-69	581.1
May-69	581.3
Jun-69	581.6
Jul-69	578.9
Aug-69	578.5
Sep-69	584.1
Oct-69	584.5
Nov-69	585.2
Dec-69	585.9
Jan-70	586.5
Feb-70	586.9
Mar-70	587.4
Apr-70	587.7
May-70	588.2
Jun-70	588.3
Jul-70	588.6
Aug-70	588
Sep-70	587.9
Oct-70	589.9
Nov-70	590.3
Dec-70	591.7
Jan-71	590.9
Feb-71	591.4
Mar-71	591.3

Location: Raymond Basin
Ground Surface Elevation: 749.9 ft above MSL

STATION	4057 H
	WS Elev.
Apr-71	592.1
May-71	592.9
Jun-71	593.4
Jul-71	592.9
Aug-71	594.5
Sep-71	595.1
Oct-71	591.5
Nov-71	595.9
Dec-71	596.1
Jan-72	596.4
Feb-72	596.8
Mar-72	596.9
Apr-72	596.6
May-72	596.1
Jun-72	596.8
Jul-72	597.3
Aug-72	597.4
Sep-72	597.7
Oct-72	598.1
Nov-72	598.6
Dec-72	598.7
Jan-73	598.9
Feb-73	599.1
Mar-73	599.2
Apr-73	599.6
May-73	599.7
Jun-73	595.9
Jul-73	600.2
Aug-73	600.6
Sep-73	600.8
Oct-73	600.8
Nov-73	601.3
Dec-73	601.6
Jan-74	602
Feb-74	602.3
Mar-74	601.1
Apr-74	602.7
May-74	604.2
Jun-74	603.2
Jul-74	603.4
Aug-74	604.3
Sep-74	604.4
Oct-74	604.9
Nov-74	604.8
Dec-74	599.7

WATER CONSERVATION – SUMMARY – GROUND WATER**GROUND WATER FLUCTUATION:****Location: Raymond Basin****Ground Surface Elevation: 749.9 ft above MSL**

STATION	4057 H
	WS Elev.
Jan-75	604.2
Feb-75	604
Mar-75	604.7
Apr-75	605.6
May-75	604
Jun-75	603.6
Jul-75	605.1
Aug-75	603.3
Sep-75	603.2
Oct-75	604.8
Nov-75	603.8
Dec-75	602.8
Jan-76	602.3
Feb-76	602.5
Mar-76	602
Apr-76	601.9
May-76	601.6
Jun-76	601.6
Jul-76	601.4
Aug-76	601.3
Sep-76	601.5
Oct-76	601.6
Nov-76	601.2
Dec-76	601.2
Jan-77	601
Feb-77	600.9
Mar-77	600.9
Apr-77	600.8
May-77	600.6
Jun-77	604.4
Jul-77	600.3
Aug-77	599.4
Sep-77	599.9
Oct-77	609.7
Nov-77	599
Dec-77	599
Jan-78	597.1
Feb-78	598.1
Mar-78	597.9
May-78	597.6
Jun-78	597.5
Aug-78	597.9
Sep-78	598.8
Oct-78	597.9
Dec-78	598

Location: Raymond Basin**Ground Surface Elevation: 749.9 ft above MSL**

STATION	4057 H
	WS Elev.
Mar-79	598.2
Jul-79	598.2
Oct-79	598.4
Dec-79	598.7
Apr-80	598
Aug-80	597.8
Nov-80	597.3
Jan-81	597.1
Mar-81	597.1
Apr-81	598.9
May-81	597
Jun-81	597.1
Aug-81	597.3
Sep-81	597.6
Nov-81	597.9
Feb-82	598.4
Apr-82	600.9
May-82	598.9
Jun-82	598.7
Jul-82	598.9
Aug-82	590
Sep-82	588.3
Oct-82	598.9
Nov-82	602.9
Dec-82	591.9
Jan-83	592.6
Feb-83	598.4
Mar-83	598
Apr-83	597.8
May-83	597.7
Jun-83	597.4
Jul-83	597.4
Aug-83	597.4
Sep-83	597.6
Oct-83	597.5
Nov-83	597.2
Dec-83	597.5
Jan-84	597.6
Feb-84	597.3
Mar-84	597.3
Apr-84	597.3
May-84	597.3
Jun-84	596.9
Jul-84	597.4
Aug-84	595.9

WATER CONSERVATION – SUMMARY – GROUND WATER**GROUND WATER FLUCTUATION:****Location: Raymond Basin****Ground Surface Elevation: 749.9 ft above MSL**

STATION	4057 H
	WS Elev.
Sep-84	596.1
Oct-84	599
Nov-84	595.9
Dec-84	591.4
Jan-85	596.4
Feb-85	595.9
Mar-85	596.4
Apr-85	598
May-85	596.4
Jun-85	595.9
Jul-85	596.9
Aug-85	596.1
Sep-85	595.9
Oct-85	593.9
Dec-85	597.4
Jan-86	597.4
Mar-86	596.4
Apr-86	592.9
May-86	615.4
Jun-86	596.9
Jul-86	596.9
Aug-86	593.4
Sep-86	603.9
Oct-86	593.4
Nov-86	597.4
Dec-86	579
Jan-87	592.4
Feb-87	594.9
Mar-87	594.9
Apr-87	585.3
May-87	597.1
Jun-87	597.2
Jul-87	590.4
Aug-87	596
Sep-87	595.9
Oct-87	595.2
Nov-87	594.7
Dec-87	594.5
Jan-88	593.9
Feb-88	593.3
Mar-88	592.8
Apr-88	592.6
May-88	592.3
Jun-88	591.8
Jul-88	591.7

Location: Raymond Basin**Ground Surface Elevation: 749.9 ft above MSL**

STATION	4057 H
	WS Elev.
Aug-88	591.5
Sep-88	591.2
Oct-88	590.9
Nov-88	590.8
Dec-88	590.4
Jan-89	590.1
Feb-89	589.8
Mar-89	589.3
Apr-89	589.1
May-89	589
Jun-89	588.8
Jul-89	588.4
Aug-89	588.2
Sep-89	587.9
Oct-89	583.2
Nov-89	587.2
Dec-89	587.1
Jan-90	586.7
Feb-90	586.4
Mar-90	586.4
Apr-90	582.4
May-90	586
Jun-90	584
Jul-90	585.9
Aug-90	580.6
Sep-90	585.8
Oct-90	585.8
Nov-90	585.8
Dec-90	585.8
Jan-91	585.8
Feb-91	585.9
Apr-91	581.2
May-91	586.3
Jun-91	586.5
Jul-91	586.8
Aug-91	574.8
Sep-91	587.9
Oct-91	586.7
Nov-91	586.6
Dec-91	586.6
Jan-92	586.6
Mar-92	586.7
Apr-92	586.8
May-92	587.1
Jun-92	587.1

WATER CONSERVATION – SUMMARY – GROUND WATER

GROUND WATER FLUCTUATION:**Location: Raymond Basin****Ground Surface Elevation: 749.9 ft above MSL**

STATION	4057 H
	WS Elev.
Jul-92	581.6
Aug-92	577
Sep-92	570
Oct-92	589
Nov-92	589
Dec-92	589
Feb-93	579.9
Mar-93	584.1
Apr-93	577.7
May-93	573.7
Jun-93	569.9
Aug-93	572.7
Sep-93	594.4
Oct-93	576.4
Nov-93	585.6
Dec-93	577.2
Jan-94	598.4
Feb-94	597.9
Mar-94	598.4
Apr-94	598.4
May-94	600.1
Jun-94	600.9
Jul-94	601.9
Aug-94	602.4
Sep-94	603.2
Oct-94	604
Nov-94	604.9
Dec-94	608.4
Jan-95	609.2
Feb-95	609.7
Mar-95	609.9
Apr-95	583.2
May-95	611.1
Jun-95	611.9
Jul-95	612.4
Aug-95	612.7
Sep-95	613.2
Oct-95	613.2
Dec-95	613.7
Jan-96	613.9
Feb-96	614.2
Mar-96	614.4
Apr-96	614.5
May-96	614.8
Jun-96	615

Location: Raymond Basin**Ground Surface Elevation: 749.9 ft above MSL**

STATION	4057 H
	WS Elev.
Jul-96	615.1
Aug-96	616.2
Sep-96	615.1
Oct-96	614.7
Nov-96	614.8
Dec-96	614.4
Jan-97	614.5
Feb-97	614.6
Mar-97	614.5
Apr-97	614.8
May-97	614.9
Jun-97	615.1
Jul-97	613.7
Aug-97	615.2
Sep-97	615.1

WATER CONSERVATION – SUMMARY – GROUND WATER**GROUND WATER FLUCTUATION:**

Location: San Gabriel Canyon Basin, North of Azusa
Ground Surface Elevation: 658.8 ft above MSL

STATION	4284 A	4285
	WS Elev.	WS Elev.
Jan-64	602.1	597.9
Feb-64	611.9	610.5
Mar-64	616.9	608.4
Apr-64	619.8	616
May-64	631.3	630.7
Jun-64	623.1	617.6
Jul-64	611.4	605
Aug-64	606.3	602.7
Sep-64	606.7	605.9
Oct-64	614.6	613.1
Nov-64	613.3	606.9
Dec-64	612.4	599
Jan-65	613.7	610.3
Feb-65	611.7	606.2
Mar-65	593.6	583.8
Apr-65	591.9	575.7
May-65	642.7	633.3
Jun-65	653.1	635.3
Jul-65	651.9	639.5
Aug-65	653.1	639.3
Sep-65	654.7	638.4
Oct-65	652.2	641.6
Nov-65	656.1	632.8
Dec-65	662.8	638.1
Jan-66	665	650.7
Feb-66	659.8	654.8
Mar-66	665.7	647.1
Apr-66	644.4	639.9
May-66	644.4	634.1
Jun-66		623.8
Jul-66	631.8	621.9
Aug-66	630.1	
Sep-66	629.7	
Oct-66	639	
Nov-66	639.8	
Dec-66	639.2	651.3
Jan-67	658.9	648.9
Feb-67	671.4	657.3
Mar-67	660.7	645.1
Apr-67	660.9	643.5
May-67	653.4	645.4
Jun-67	651.3	639.7
Jul-67	644.6	634.1
Aug-67	644.6	617.3
Sep-67	619.7	597.9

Location: San Gabriel Canyon Basin, North of Azusa
Ground Surface Elevation: 658.8 ft above MSL

STATION	4284 A	4285
	WS Elev.	WS Elev.
Oct-67	622.3	617.5
Nov-67	642	627.1
Dec-67	632.3	632.1
Jan-68	654.9	648.4
Feb-68	644.4	642.4
Mar-68	642.7	639.9
Apr-68	651	644.1
May-68	635.7	632.1
Jun-68	626.5	620.6
Jul-68	624.6	620.3
Aug-68	639.7	618.9
Sep-68	606.4	602.5
Oct-68	601.6	
Nov-68	629.6	594
Dec-68	582.9	573.5
Jan-69	599.2	578.5
Feb-69	642.2	620.1
Mar-69	652.7	638
Apr-69	649.3	631.6
May-69	656.9	644
Jun-69	662.6	653
Jul-69	659.8	647.1
Aug-69	652.3	650.1
Sep-69	631.3	638.3
Oct-69	631.3	629.6
Nov-69	631.9	625.7
Dec-69	649.2	641.5
Jan-70	656.6	647.5
Feb-70	649.7	639.5
Mar-70	645	641.9
Apr-70	663.5	649.3
May-70	642.8	644.3
Jun-70	641.3	631.1
Jul-70	630.8	617.5
Aug-70	622.6	595.5
Sep-70	611.6	597.8
Oct-70	609.2	595.5
Nov-70	611.1	594.2
Dec-70	611.8	612
Jan-71	661.5	647.7
Feb-71	664	650.7
Mar-71	662.9	647.6
Apr-71	648.4	642.7
May-71	652.9	626.5
Jun-71	619.4	605.6

WATER CONSERVATION – SUMMARY – GROUND WATER**GROUND WATER FLUCTUATION:**

Location: San Gabriel Canyon Basin, North of Azusa
Ground Surface Elevation: 658.8 ft above MSL

STATION	4284 A	4285
	WS Elev.	WS Elev.
Jul-71	606.4	589.2
Aug-71	598	578.3
Sep-71	595.9	572.9
Oct-71	597.3	575.9
Nov-71	593.4	577.7
Dec-71	586.6	566.3
Jan-72	600.9	571.6
Feb-72	654.4	644.9
Mar-72	647.9	645.4
Apr-72	630	622.7
May-72	605	594.7
Jun-72	596.4	582.3
Jul-72	574.6	558.4
Aug-72	558.2	547.5
Sep-72	556.2	548.9
Oct-72	553.9	537.9
Nov-72	555.4	525.3
Dec-72	627.5	599.6
Jan-73	621.3	
Feb-73	639.3	605.1
Mar-73	664	646.3
Apr-73	664.1	649.8
May-73	661.2	651.3
Jun-73	643.4	645.7
Jul-73	642.4	626.8
Aug-73	642.2	622
Sep-73	633.4	617.7
Oct-73	629.9	611.6
Nov-73	635.9	619.4
Dec-73	653.2	637.2
Jan-74	660.7	639.2
Feb-74		649.1
Mar-74	656.2	630.1
Apr-74		642.1
May-74	653.2	642.4
Jun-74		631.4
Jul-74		635.3
Aug-74	642.2	631.1
Sep-74	639.1	622.9
Oct-74	636.7	622.8
Nov-74	626.1	626
Dec-74		608.5
Jan-75	614.2	601.4
Feb-75	611.9	597
Mar-75	622.2	614.7

Location: San Gabriel Canyon Basin, North of Azusa
Ground Surface Elevation: 658.8 ft above MSL

STATION	4284 A	4285
	WS Elev.	WS Elev.
Apr-75	629.7	637.6
May-75	660.2	636.4
Jun-75	658.9	632.6
Jul-75	639.9	627.7
Aug-75	629.2	617
Sep-75	629.2	605.9
Oct-75	631	608.8
Nov-75		616.3
Dec-75	620.1	593
Jan-76	619.7	580
Feb-76	602.6	576.3
Mar-76	635.1	601.4
Apr-76	649.3	643
May-76	630.7	614.7
Jun-76	608.5	601.7
Jul-76	607.9	595.8
Aug-76	608.9	596.8
Sep-76	605.6	590.5
Oct-76	638.3	600.8
Nov-76		617.3
Dec-76	600.7	601.4
Jan-77	608.1	579.7
Feb-77	647.7	629
Mar-77	607	598.6
Apr-77	595.2	584.9
May-77	592.4	585.1
Jun-77	597.1	584.5
Jul-77	598.3	582.4
Aug-77	593.1	578.8
Sep-77	596.9	575.9
Oct-77	600.3	582.6
Nov-77	598.1	579.4
Dec-77	632.3	588.6
Jan-78	639.4	628.3
Feb-78	656.6	643.2
Mar-78	666	646.5
Apr-78	659	642.8
May-78	654.5	648
Jun-78	654.5	642.5
Jul-78	650.4	636.7
Aug-78	641.8	634.7
Sep-78	642.8	619.1
Oct-78	639	625.3
Nov-78	628	619
Dec-78	632.7	616.1

WATER CONSERVATION – SUMMARY – GROUND WATER**GROUND WATER FLUCTUATION:**

Location: San Gabriel Canyon Basin, North of Azusa
Ground Surface Elevation: 658.8 ft above MSL

STATION	4284 A	4285
	WS Elev.	WS Elev.
Jan-79	644.3	640.2
Feb-79	651.1	641.9
Mar-79	647.9	637.1
Apr-79	649	639.1
May-79	646.2	627
Jun-79	642.1	
Jul-79	637.7	625.9
Aug-79	631.1	
Sep-79	622.4	611
Oct-79	624.8	
Nov-79	621.9	610.1
Dec-79	628.9	610.1
Jan-80	615.4	
Feb-80	628.5	612.3
Mar-80	648.5	634.6
Apr-80	651.8	637.2
May-80	652.2	644.5
Jun-80	650.6	637.2
Jul-80	649.1	628.3
Aug-80	641.2	630.3
Sep-80	640.6	619.8
Oct-80	643.6	620.1
Nov-80	664	625.7
Dec-80	637.5	623.3
Jan-81	631.8	622.1
Feb-81	624.8	607.4
Mar-81	623.9	608.1
Apr-81	638	606.4
May-81	615	590
Jun-81	607.2	575.9
Jul-81	584.5	556.9
Aug-81	578.3	555
Sep-81	584.2	555.6
Oct-81	582.4	566.2
Nov-81	598.3	577.6
Dec-81	606	594.1
Jan-82	623.7	610.1
Feb-82	630.7	620.1
Mar-82	636.4	625.8
Apr-82	637.3	620.3
May-82	635.9	608.7
Jun-82	626.4	613.4
Jul-82	636.5	606.4
Aug-82	620.5	596.7
Sep-82	617.1	604.2

Location: San Gabriel Canyon Basin, North of Azusa
Ground Surface Elevation: 658.8 ft above MSL

STATION	4284 A	4285
	WS Elev.	WS Elev.
Oct-82	628	620.2
Nov-82	637	622
Dec-82	639.6	632
Jan-83	636	628.4
Feb-83	647.2	629.7
Mar-83	652.4	640.4
Apr-83	652.3	640.2
May-83	651.6	641.4
Jun-83	651.3	634.5
Jul-83	647.8	631.6
Aug-83	641	622.3
Sep-83	630.6	613.5
Oct-83	631.7	615.3
Nov-83	646.6	631.7
Dec-83	645.2	632.9
Jan-84	643.3	628.8
Feb-84	642.9	636
Mar-84	639.8	626.4
Apr-84	626.4	621.3
May-84	617.7	
Jun-84	600.8	589.9
Jul-84	596.5	
Aug-84	579.9	572.3
Sep-84	572	567.3
Oct-84		563.3
Nov-84	573.4	562
Dec-84	570	558.5
Jan-85	609.4	565.7
Feb-85	642.8	627.6
Mar-85		622.3
Apr-85	597	
Jun-85	618.7	
Jul-85	612.3	599.6
Aug-85	594	573.8
Sep-85	588.3	
Oct-85	621	571.8
Nov-85	629.2	619.6
Dec-85	643.7	623.5
Jan-86	647.7	630.8
Feb-86	651.3	634.9
Mar-86	648.3	638.4
Apr-86	645.7	637.9
May-86	646.6	635.3
Jun-86	639.4	625.7
Jul-86	623.3	606.3

WATER CONSERVATION – SUMMARY – GROUND WATER

GROUND WATER FLUCTUATION:

Location: San Gabriel Canyon Basin, North of Azusa
Ground Surface Elevation: 658.8 ft above MSL

STATION	4284 A	4285
	WS Elev.	WS Elev.
Aug-86	616.9	599.9
Sep-86	598.5	
Oct-86	587.4	605.3
Nov-86	594	585.8
Dec-86	610.6	599.9
Jan-87	626.3	608.1
Feb-87	635.2	630.4
Mar-87	651	629.2
Apr-87	647.9	632.2
May-87	636.4	
Jun-87	610.5	592.6
Jul-87	597.1	583
Aug-87	580.8	570.8
Sep-87	574	559.7
Oct-87	608	552.3
Nov-87	600.1	553.4
Dec-87	610.8	593.8
Jan-88	627.4	624.2
Feb-88	640	632.9
Mar-88	641.3	638.2
Apr-88	635.2	625.9
May-88	632.5	
Jun-88	641.6	
Aug-88	611.8	
Sep-88	605.6	
Oct-88	619	
Nov-88	612.4	605.1
Dec-88	616.3	
Jan-89	640.8	
May-89	653	
Aug-89	646.2	
Sep-89	644.9	
Oct-89	601	
Mar-90		620.1
Apr-90	650	
Oct-90	631	
Apr-91	643	636.6
May-91	636	
Jun-91	623	
Jul-91	629	
Aug-91	637	
Sep-91	641	629.4
Oct-91	635	
Nov-91	624	
Dec-91	616	

Location: San Gabriel Canyon Basin, North of Azusa
Ground Surface Elevation: 658.8 ft above MSL

STATION	4284 A	4285
	WS Elev.	WS Elev.
Jan-92	619	
Feb-92	630	
Mar-92	642	619.3
Apr-92	650	599.1
Oct-92	629	
Nov-92		606.1
Mar-93		634.5
Apr-93	647	633.3
Oct-93	619	
May-94	591	
Nov-94	592.9	
May-95	591	

WATER CONSERVATION – SUMMARY – GROUND WATER
GROUND WATER FLUCTUATION:

Location: Upper Claremont Heights
Ground Surface Elevation: 1482.0 ft above MSL

STATION	4508 B	4508 A
	WS Elev.	WS Elev.
Jan-60	1328.5	
Feb-60	1329.9	
Mar-60	1329	
Apr-60	1318.5	
May-60	1323.5	
Jun-60	1307.6	
Jul-60	1302.3	
Aug-60	1298.2	
Sep-60	1290.5	
Oct-60	1295.9	
Nov-60	1284.4	
Dec-60	1298.8	
Jan-61	1289.7	
Feb-61	1294.9	
Mar-61	1285.6	
Apr-61	1276.5	
May-61	1279	
Jun-61	1276	
Jul-61	1273.3	
Aug-61	1271	
Sep-61	1268	
Oct-61	1265.6	
Nov-61	1263.4	
Dec-61	1265.4	
Jan-62	1265.6	
Feb-62	1268.6	
Mar-62	1270.2	
Apr-62	1269.1	
May-62	1269.5	
Jun-62	1266.8	
Dec-62	1258.2	
Jan-63	1259.4	
Feb-63	1262.7	
Mar-63	1265.4	
Apr-63	1268.6	
May-63	1271.7	
Jun-63	1267.2	
Jul-63	1264.1	
Aug-63	1262.2	
Sep-63	1261.1	
Oct-63	1261	
Nov-63	1260.3	
Dec-63	1262.5	
Jan-64	1261.9	
Feb-64	1263.7	

Location: Upper Claremont Heights
Ground Surface Elevation: 1482.0 ft above MSL

STATION	4508 B	4508 A
	WS Elev.	WS Elev.
Mar-64	1262.3	
Apr-64	1263.5	
May-64	1261.9	
Jun-64	1258.8	
Aug-64	1253.2	
Sep-64	1251.9	
Oct-64	1250.3	
Nov-64	1248.2	
Dec-64	1248.6	
Jan-65	1246.9	
Feb-65	1250.8	
Mar-65	1251	
Apr-65	1251.9	
May-65	1251.9	
Jun-65	1252.1	
Jul-65	1250	
Aug-65	1247.4	
Sep-65	1246.1	
Oct-65	1244.3	
Nov-65	1247	
Dec-65	1244.8	
Jan-66	1245	
Feb-66	1247.6	
Mar-66	1253.1	
Apr-66	1288.3	
May-66	1320.4	
Jun-66	1338	
Jul-66	1351.7	
Aug-66	1355.8	
Sep-66	1357.7	
Oct-66	1350.8	
Nov-66	1348	
Dec-66	1346.9	
Jan-67	1349	
Feb-67	1355.3	
Mar-67	1363.2	
Apr-67	1371.1	
May-67	1381.4	
Jun-67	1386.3	
Jul-67	1401	
Aug-67	1404.1	
Sep-67	1402.2	
Oct-67	1395.8	
Nov-67	1391.8	
Dec-67	1387.6	

WATER CONSERVATION – SUMMARY – GROUND WATER**GROUND WATER FLUCTUATION:**

Location: Upper Claremont Heights
Ground Surface Elevation: 1482.0 ft above MSL

STATION	4508 B	4508 A
	WS Elev.	WS Elev.
Jan-68	1385.4	
Feb-68	1382.5	
Mar-68	1380.2	
Apr-68	1377.9	
May-68	1372	
Jun-68	1373.3	
Jul-68	1363.2	
Aug-68	1358.3	
Sep-68	1352.3	
Oct-68	1346.9	
Nov-68	1342.8	
Dec-68	1339.8	
Jan-69	1339.7	
Mar-69	1341.8	
Apr-69	1373.1	
May-69	1424.9	
Jun-69	1454.9	
Jul-69	1447.4	
Aug-69	1444.5	
Sep-69	1431.4	
Oct-69	1422.2	
Nov-69	1411.4	
Dec-69	1405.7	
Jan-70	1399.1	
Feb-70	1395.2	
Mar-70	1391	
Apr-70	1388.4	
May-70	1383.2	
Jun-70	1378.2	
Jul-70	1376	
Aug-70	1378.1	
Sep-70	1363.1	
Oct-70	1359.8	
Nov-70	1354.1	
Dec-70	1351.2	
Jan-71	1352	
Feb-71	1352.1	
Mar-71	1352	
Apr-71	1349.8	
May-71	1337	
Jun-71	1330.1	
Jul-71	1325.3	
Aug-71	1326.6	
Sep-71	1312.1	
Oct-71	1310.5	

Location: Upper Claremont Heights
Ground Surface Elevation: 1482.0 ft above MSL

STATION	4508 B	4508 A
	WS Elev.	WS Elev.
Nov-71	1319.6	
Dec-71	1318.8	
Jan-72	1319.3	
Feb-72	1319.6	
Mar-72	1314.7	
Apr-72	1299.8	
May-72	1311	
Jun-72	1297.7	
Jul-72	1292.4	
Aug-72	1290.1	
Sep-72	1287.3	
Oct-72	1287.6	
Nov-72	1286.5	
Dec-72	1296.1	
Jan-73	1298.2	
Feb-73	1300	
Mar-73	1302.1	
Apr-73	1303.7	
May-73	1298.1	
Jun-73	1304.8	
Jul-73	1302.2	
Aug-73	1297.4	
Oct-73	1314.9	
Nov-73	1308.3	
Dec-73	1322.4	
Jan-74	1333.4	
Feb-74	1332.7	
Mar-74	1335.3	
Apr-74	1336.3	
May-74	1327.3	
Jun-74	1325.5	
Jul-74	1323	
Aug-74	1322.5	
Sep-74	1312.1	
Oct-74	1306.5	
Nov-74	1319.2	
Dec-74	1321.9	
Jan-75	1323.1	
Feb-75	1322.5	
Mar-75	1322.9	
Apr-75	1324.7	
May-75	1324.1	
Jun-75	1314.3	
Jul-75	1305.2	
Aug-75	1301.1	

WATER CONSERVATION – SUMMARY – GROUND WATER**GROUND WATER FLUCTUATION:**

Location: Upper Claremont Heights
Ground Surface Elevation: 1482.0 ft above MSL

STATION	4508 B	4508 A
	WS Elev.	WS Elev.
Sep-75	1299.2	
Oct-75	1303.6	
Nov-75	1303.6	
Dec-75	1301.1	
Jan-76	1296.9	
Feb-76	1293.7	
Mar-76	1306.3	
Apr-76	1306.2	
May-76	1296.4	
Jun-76	1294.2	
Jul-76	1289	
Aug-76	1286.4	
Sep-76	1286.5	
Oct-76	1286.1	
Nov-76	1285.9	
Dec-76	1293.2	
Jan-77	1294.5	
Feb-77	1287.7	
Mar-77	1290.9	
Apr-77	1297.4	
May-77	1294.3	
Jun-77	1288.1	
Jul-77	1286	
Aug-77	1282.2	
Sep-77	1282	
Oct-77	1281.7	
Nov-77	1280.6	
Jan-78	1290.6	
Feb-78	1293.2	
Mar-78	1297.8	
Apr-78	1361.1	
May-78	1436.2	1438
Jun-78	1449.2	1443.1
Jul-78	1429.4	1434.2
Aug-78	1436.6	1437
Sep-78		1443
Oct-78	1420.5	1408
Dec-78	1408.1	1397
Jan-79	1401.6	1385
Feb-79	1396.6	1391
Mar-79	1393.3	1385
Apr-79	1387.3	1381
May-79	1383.5	1376
Jun-79	1380.4	1374
Aug-79	1388.1	1383

Location: Upper Claremont Heights
Ground Surface Elevation: 1482.0 ft above MSL

STATION	4508 B	4508 A
	WS Elev.	WS Elev.
Sep-79		1382
Oct-79	1384.2	1380
Nov-79	1381.9	1380
Dec-79	1379.1	1373.5
Jan-80	1376.8	
Feb-80		1373.5
Mar-80	1386.2	1385
Apr-80	1430.3	1430
May-80	1446.3	
Jul-80	1445.5	
Aug-80	1430.7	
Sep-80	1422.3	1408
Oct-80	1408.9	1402
Dec-80	1394.2	1387
Jan-81	1389.3	1382.5
Feb-81	1385.4	
Mar-81	1383.8	1380
Apr-81	1376.6	1368.5
May-81		1368.5
Sep-81		1344
Oct-81		1344
Nov-81		1342
Dec-81		1340
Jan-82		1339.5
Feb-82		1339.5
Mar-82		1340
Apr-82		1340
May-82		1355
Sep-82		1376
Oct-82		1374.5
Nov-82		1373
Dec-82		1374.5
Jan-83		1370
Feb-83		1373
Mar-83		1403
Apr-83		1441.5
May-83		1450
Jun-83		1452
Apr-84		1391
May-84		1383.5
Jul-84		1376
Aug-84		1370
Sep-84		1364
Oct-84		1362
Nov-84		1360.4

WATER CONSERVATION – SUMMARY – GROUND WATER
GROUND WATER FLUCTUATION:

Location: Upper Claremont Heights
Ground Surface Elevation: 1482.0 ft above MSL

STATION	4508 B	4508 A
	WS Elev.	WS Elev.
Dec-84		1359
Jan-85		1358.4
Feb-85		1357
Mar-85		1356
Apr-85		1350
May-85		1346
Jun-85		1343.5
Jul-85		1318
Aug-85		1332.4
Sep-85		1308
Oct-85		1326
Nov-85		1326
Jan-86		1324.4
Feb-86		1323
Mar-86		1328
Apr-86		1337
May-86		1324
Jun-86		1330
Jul-86		1332
Sep-86		1348
Oct-86		1349
Nov-86		1349.4
Dec-86		1346
Jan-87		1345
Feb-87		1341
Apr-87		1337
Oct-87		1283
Nov-87		1266
Dec-87		1274
Jan-88		1315
Feb-88		1317
Mar-88		1350
Apr-88		1297
May-88		1296
Jun-88		1288
Jul-88		1276
Aug-88		1264
Sep-88		1265
Oct-88		1298
Sep-89		1279
Oct-89		1282
Nov-89		1280
Jan-90		1280.5
Feb-90		1297
Mar-90		1293

Location: Upper Claremont Heights
Ground Surface Elevation: 1482.0 ft above MSL

STATION	4508 B	4508 A
	WS Elev.	WS Elev.
Apr-90		1279
Jul-90		1277
Aug-90		1274
Sep-90		1272
Oct-90		1289.5
Jan-91		1289.5
Feb-91		1292
Mar-91		1293
Apr-91		1290.7
Jun-91		1329
Oct-91		1296
Nov-91		1288
Dec-91		1292
Jan-92		1309
Feb-92		1310.5
Mar-92		1311
Apr-92		1310
May-92		1312
Jun-92		1333.5
Jul-92		1337
Aug-92		1349
Sep-92		1351
Oct-92		1351
Nov-92		1340
Dec-92		1348
Feb-93		1410
Mar-93		1411
Apr-93		1418
Sep-93		1383.5
Oct-93		1377.7
Nov-93		1387
Dec-93		1395
Mar-94		1383.2
Apr-94		1378
May-94		1378
Jul-94		1311
Aug-94		1304
Sep-94		1301
Oct-94		1322
Oct-95		1344.1
Apr-96		1339
Oct-96		1337
Apr-97		1325
Oct-97		1339

WATER CONSERVATION – SUMMARY – GROUND WATER**GROUND WATER FLUCTUATION:**

**Location: Santa Clarita Valley,
Near Castaic Junction
Ground Surface Elevation: 1131.0 ft above MSL**

STATION	7048 A	7048 C	7057 P
	WS Elev.	WS Elev.	WS Elev.
Jan-64	1044.5		
Feb-64	1046.5		
Mar-64	1045.5		
Apr-64	1047		
May-64	1044.8		
Jun-64	1037.2		
Jul-64	1034.5		
Aug-64	1032.2		
Sep-64	1032.2		
Oct-64	1032.2		
Nov-64	1036.2		
Jan-65	1042.6		
Mar-65	1040.4		
Apr-65	1042.9		
May-65	1039.1		
Jul-65	1033.9		
Aug-65	1031.5		
Sep-65	1028.7		
Oct-65	1032.5		
Nov-65	1035.2		
Dec-65	1037.1		
Jan-66	1048.1		
Mar-66	1052.4		
Apr-66	1049.3		
May-66	1044.5		
Jun-66	1043.3		
Nov-66	1037		
Dec-66	1048.6		
Mar-67	1055		
Apr-67	1058.8		
May-67	1054.7		
Jun-67	1052		
Aug-67	1047.9		
Sep-67	1046.4		
Oct-67	1049.2		
Nov-67	1045.7		
Dec-67	1055.2		
Jan-68	1059		
Feb-68	1062.5		
Mar-68	1063.4		
Apr-68	1060.4		
May-68	1056.3		
Jul-68	1052.5		
Aug-68	1051.9		

**Location: Santa Clarita Valley,
Near Castaic Junction
Ground Surface Elevation: 1131.0 ft above MSL**

STATION	7048 A	7048 C	7057 P
	WS Elev.	WS Elev.	WS Elev.
Sep-68	1055.1		
Oct-68	1056.8		
Nov-68	1058.7		
Dec-68	1059.5		
Jan-69	1060.1		
Feb-69	1062.4		
Mar-69	1085.9		
Apr-69	1086.2		
May-69	1094.2		
Jun-69	1093.1		
Jul-69	1091.9		
Aug-69	1084.8		
Sep-69	1084.5		
Oct-69	1088		
Nov-69	1085.8		
Dec-69	1086.3		
Jan-70	1084.1		
Feb-70	1088.1		
Mar-70	1094.9		
Apr-70	1094		
May-70	1091.2		
Jun-70	1088.8		
Jul-70	1088.2		
Aug-70	1085		
Sep-70	1084.9		
Oct-70	1085.1		
Nov-70	1086.9		
Dec-70	1090.5		
Jan-71	1098.1		
Feb-71	1095.8		
Mar-71	1099.6		
Apr-71	1099.2		
May-71	1097.5		
Jun-71	1096.7		
Jul-71	1095.3		
Aug-71	1091.6		
Sep-71	1092.1		
Oct-71	1092		
Nov-71	1092.6		
Dec-71	1094.1		
Jan-72	1096.5		
Feb-72	1096.7		
Mar-72	1097.3		
Apr-72	1092.4		

WATER CONSERVATION – SUMMARY – GROUND WATER**GROUND WATER FLUCTUATION:**

**Location: Santa Clarita Valley,
Near Castaic Junction
Ground Surface Elevation: 1131.0 ft above MSL**

STATION	7048 A	7048 C	7057 P
	WS Elev.	WS Elev.	WS Elev.
May-72	1092.6		
Jun-72	1088.9		
Jul-72	1087.4		
Sep-72	1086.9		
Oct-72	1087.9		
Nov-72	1089.5		
Dec-72	1092.9		
Jan-73	1093.1		
Feb-73	1095.3		
Mar-73	1097.6		
Apr-73	1098.5		
May-73	1094.9		
Jun-73	1092.7		
Jul-73	1089.3		
Aug-73	1087.4		
Sep-73	1087.9		
Oct-73	1090.3		
Nov-73	1088.5		
Dec-73	1091.3		
Jan-74	1096.5		
Feb-74	1093.8		
Mar-74	1094.1		
Apr-74	1095.8		
May-74	1096.5		
Jun-74	1094.6		
Jul-74	1090.3		
Aug-74	1093		
Sep-74	1093		
Dec-74	1092.4		
Jan-75	1093.3		
Feb-75	1094.6		
Mar-75	1094.5		
Apr-75	1096.5		
May-75	1096.5		
Jun-75	1092.2		
Jul-75	1089.1		
Aug-75	1084.1		
Sep-75	1083.8		
Oct-75	1084.7		
Nov-75	1087.7		
Dec-75	1087.5		
Jan-76	1086.1		
Feb-76	1089.3		
Mar-76	1089.1		

**Location: Santa Clarita Valley,
Near Castaic Junction
Ground Surface Elevation: 1131.0 ft above MSL**

STATION	7048 A	7048 C	7057 P
	WS Elev.	WS Elev.	WS Elev.
Apr-76	1089.5		
May-76	1090.5		
Jun-76	1086.8		
Jul-76	1082.5		
Aug-76	1082.5		
Sep-76	1082.8		
Oct-76	1083.9		
Dec-76	1085.4		
Jan-77	1087.1		
Feb-77	1087		
Mar-77	1086		
May-77	1086.1		
Jun-77	1084.4		
Jul-77	1082.5		
Aug-77	1080.5		
Sep-77	1076.9		
Oct-77	1077.7		
Nov-77	1079.6		
Dec-77	1080		
Jan-78	1083.3		
Feb-78	1087.9		
Mar-78	1097.8		
Apr-78	1099.7		
May-78	1097.2		
Jun-78	1094.6		
Jul-78	1091.7		
Aug-78	1089.5		
Sep-78	1087.6		
Oct-78	1089.7		
Dec-78	1087.9		
Jan-79	1093.4		
Feb-79	1097.3		
Mar-79	1100.7		
Apr-79	1098.3		
May-79	1095.9		
Jun-79	1093.5		
Jul-79	1090.3		
Sep-79	1088.9		
Oct-79	1091.5		
Dec-79	1093.7		
Jan-80	1097.3		
Mar-80	1106.8		
May-80	1107		
Jun-80	1104.6		

WATER CONSERVATION – SUMMARY – GROUND WATER

GROUND WATER FLUCTUATION:

**Location: Santa Clarita Valley,
Near Castaic Junction
Ground Surface Elevation: 1131.0 ft above MSL**

STATION	7048 A	7048 C	7057 P
	WS Elev.	WS Elev.	WS Elev.
Jul-80	1104.1		
Aug-80	1103.2		
Sep-80	1101.3		
Oct-80	1096.6		
Nov-80	1100.1		
Dec-80	1100.2		
Jan-81	1100.9		
Feb-81	1103.3		
Apr-81	1102.5		
May-81	1103.5		
Jun-81	1100.7		
Jul-81	1100.4		
Aug-81	1099.9		
Sep-81	1099		
Oct-81	1099.4		
Nov-81	1100.4		
Dec-81	1102.2		
Jan-82	1103.3		
Feb-82	1100.3		
Mar-82	1105.4		
Apr-82	1106.1		
May-82	1104.5		
Jun-82	1103.8		
Jul-82	1102.8		
Aug-82	1102.5		
Sep-82	1102		
Oct-82	1101.8		
Nov-82	1102.7		
Dec-82	1103.2		
Jan-83	1102		
Feb-83	1105.9		
Mar-83	1107.1		
Apr-83	1108		
May-83	1107.7		
Jun-83	1107.4		
Jul-83	1106.5		
Aug-83	1105.8		
Oct-83	1104.6		
Nov-83	1104.7		
Dec-83	1105.3		
Jan-84	1105.6		
Feb-84	1105.6		
Mar-84	1106.5		
Apr-84	1104.7		

**Location: Santa Clarita Valley,
Near Castaic Junction
Ground Surface Elevation: 1131.0 ft above MSL**

STATION	7048 A	7048 C	7057 P
	WS Elev.	WS Elev.	WS Elev.
Jun-84	1102.4		
Jul-84	1102.4		
Aug-84	1103.4		
Sep-84	1101.7		
Dec-84	1105.9		
Jan-85	1104.3		
Apr-85	1104.8		
May-85	1101.1		
Jun-85	1099.9		
Jul-85	1100.3		
Aug-85	1107		
Sep-85	1100.7		
Oct-85	1100.5		
Dec-85	1101.5		
Jan-86	1101	1108	
Feb-86	1103.5	1110.5	
Mar-86	1105.2	1110.7	
Apr-86	1105	1109.2	
May-86	1102.2	1108.7	
Jun-86	1103.5		
Jul-86	1101.9	1106.4	
Aug-86	1098.3	1105.7	
Sep-86	1097.9	1104.4	
Oct-86	1098.9	1105.5	
Nov-86		1104.2	
Dec-86	1098.7	1105.3	
Jan-87	1100.7	1106	
Mar-87	1097	1093.7	
Apr-87	1098.7	1104.7	
May-87	1097	1104.2	
Jun-87	1094.5	1102.5	
Jul-87	1088.5	1098.7	
Aug-87		1097.2	
Sep-87	1094.3	1099.3	
Oct-87	1094	1101.6	
Nov-87	1096.5	1102.2	
Dec-87	1095.5	1102.7	
Jan-88	1099.9	1104.2	
Feb-88	1098.2	1103.4	
Mar-88	1098.5	1104.2	
Jun-88	1098	1102.4	
Jul-88	1094	1101.2	
Aug-88	1095.7	1101.2	
Sep-88	1093.8	1100.7	

WATER CONSERVATION – SUMMARY – GROUND WATER**GROUND WATER FLUCTUATION:**

**Location: Santa Clarita Valley,
Near Castaic Junction
Ground Surface Elevation: 1131.0 ft above MSL**

STATION	7048 A	7048 C	7057 P
	WS Elev.	WS Elev.	WS Elev.
Oct-88	1096.5	1100.2	
Jan-89	1092.8	1102.7	
Mar-89	1097.2	1101.8	
Apr-89	1093.5	1100.2	
May-89	1095.7	1100.3	
Jun-89	1095	1099.3	
Jul-89	1093.6	1098.2	
Aug-89	1089.6	1098.2	
Sep-89	1091.7	1097.4	
Oct-89	1091.8	1095.7	1100.4
Nov-89	1089	1097	
Dec-89	1089.9	1096.3	
Jan-90	1091		
Mar-90	1094.3	1097.8	1104.5
Apr-90		1097.3	
Jun-90		1096.1	
Jul-90		1085.2	
Sep-90		1091.2	
Oct-90			1092
Nov-90		1090.7	
Dec-90		1091.4	
Jan-91		1092.2	
Feb-91		1092.2	
Apr-91		1095.7	
May-91		1093	
Jun-91		1087.3	
Jul-91		1085.2	
Aug-91		1082.7	
Sep-91		1080	
Oct-93			1101
Oct-94			1095.6
May-95			1109.8
Oct-95			1099
Nov-96			1099.8
May-97			1095.5
Oct-97			1092.6

**Location: Santa Clarita Valley,
Near Castaic Junction
Ground Surface Elevation: 1131.0 ft above MSL**

STATION	7048 A	7048 C	7057 P
	WS Elev.	WS Elev.	WS Elev.

WATER CONSERVATION – SUMMARY – GROUND WATER
GROUND WATER FLUCTUATION:

Location: Little Rock, South of Palmdale
Ground Surface Elevation: 2777.0 ft above MSL

STATION	8825
	WS Elev.
Jan-56	2647.8
Feb-56	2646.3
Mar-56	2647.9
Apr-56	2648
May-56	2653.4
Jun-56	2645.9
Jul-56	2629.9
Aug-56	2644.2
Sep-56	2649.6
Oct-56	2652
Nov-56	2653.7
Dec-56	2655.2
Jan-57	2656.6
Feb-57	2657.5
Mar-57	2658.6
Apr-57	2657.7
May-57	2656.7
Jun-57	2655.8
Jul-57	2649.8
Aug-57	2651.3
Sep-57	2651
Oct-57	2654.4
Nov-57	2656
Dec-57	2657.8
Jan-58	2658.9
Feb-58	2660
Mar-58	2660.5
Apr-58	2660.5
May-58	2660.8
Jun-58	2661.3
Jul-58	2659.6
Aug-58	2657.7
Sep-58	2657.6
Oct-58	2666.1
Nov-58	2659.9
Dec-58	2663.2
Jan-59	2664.4
Feb-59	2664.7
Mar-59	2665.4
Apr-59	2662
May-59	2658.7
Jun-59	2662.5
Jul-59	2657.4
Aug-59	2656.4
Sep-59	2658.7

Location: Little Rock, South of Palmdale
Ground Surface Elevation: 2777.0 ft above MSL

STATION	8825
	WS Elev.
Oct-59	2661.7
Nov-59	2660.6
Dec-59	2662.1
Jan-60	2663.2
Feb-60	2664.3
Mar-60	2664.4
Apr-60	2659.9
May-60	2660.4
Jun-60	2658.5
Jul-60	2654.3
Aug-60	2652.7
Sep-60	2654.1
Oct-60	2650.6
Nov-60	2656
Dec-60	2657.1
Jan-61	2658.4
Feb-61	2658.2
Mar-61	2654.3
Apr-61	2655.8
May-61	2653
Jun-61	2651.6
Jul-61	2649.1
Aug-61	2646.6
Sep-61	2650.2
Oct-61	2648.1
Nov-61	2650.9
Dec-61	2649.6
Jan-62	2654
Feb-62	2654.4
Mar-62	2655.2
Apr-62	2652.6
May-62	2653.6
Jun-62	2653.5
Jul-62	2652.2
Aug-62	2650.5
Sep-62	2651.5
Oct-62	2651.9
Nov-62	2653.5
Jan-63	2654.8
Feb-63	2655.3
Mar-63	2650.1
Apr-63	2654.6
May-63	2649.9
Jun-63	2648.3
Jul-63	2647.2

WATER CONSERVATION – SUMMARY – GROUND WATER
GROUND WATER FLUCTUATION:

Location: Little Rock, South of Palmdale
Ground Surface Elevation: 2777.0 ft above MSL

STATION	8825
	WS Elev.
Aug-63	2645
Sep-63	2648.7
Oct-63	2650.3
Nov-63	2652.1
Dec-63	2653.2
Jan-64	2653.7
Feb-64	2653.3
Mar-64	2650.3
Apr-64	2653.5
May-64	2653
Jun-64	2653.5
Jul-64	2651.5
Aug-64	2649.3
Sep-64	2648.2
Oct-64	2646.5
Dec-64	2652
Jan-65	2652.9
Feb-65	2653.4
Mar-65	2652.4
Apr-65	2650.1
May-65	2652.1
Jun-65	2649.8
Jul-65	2649.7
Aug-65	2648.8
Sep-65	2650.9
Oct-65	2650.8
Nov-65	2651.8
Dec-65	2653
Jan-66	2653.7
Feb-66	2654.6
Mar-66	2654.8
Apr-66	2655.3
May-66	2656.7
Jun-66	2655.2
Jul-66	2654.5
Aug-66	2652
Sep-66	2650.8
Oct-66	2653.9
Nov-66	2656.7
Dec-66	2657.5
Jan-67	2657.8
Feb-67	2657.2
Mar-67	2658.2
Apr-67	2659.3
May-67	2659.3

Location: Little Rock, South of Palmdale
Ground Surface Elevation: 2777.0 ft above MSL

STATION	8825
	WS Elev.
Jun-67	2658.6
Jul-67	2657.1
Aug-67	2656.3
Sep-67	2659
Oct-67	2659.5
Nov-67	2661
Jan-68	2662.1
Feb-68	2662.6
Mar-68	2662.7
Apr-68	2662.7
May-68	2662.4
Jun-68	2661.8
Jul-68	2660.2
Aug-68	2657.2
Sep-68	2658.9
Oct-68	2653.5
Nov-68	2658.1
Dec-68	2659.6
Feb-69	2660.9
Mar-69	2661
Apr-69	2660
May-69	2659.8
Jun-69	2658.6
Jul-69	2660
Aug-69	2659.6
Sep-69	2660.2
Oct-69	2660
Nov-69	2663.6
Dec-69	2664.8
Jan-70	2665.1
Feb-70	2665.2
Mar-70	2665.4
Apr-70	2665.9
May-70	2660.2
Jun-70	2657.8
Jul-70	2662
Aug-70	2660.2
Sep-70	2660.1
Oct-70	2660.3
Nov-70	2663
Dec-70	2664.1
Jan-71	2662.2
Feb-71	2664.1
Mar-71	2663.7
Apr-71	2660.4

WATER CONSERVATION – SUMMARY – GROUND WATER
GROUND WATER FLUCTUATION:

Location: Little Rock, South of Palmdale
Ground Surface Elevation: 2777.0 ft above MSL

STATION	8825
	WS Elev.
May-71	2660.2
Jun-71	2660.1
Jul-71	2659.9
Aug-71	2657.5
Sep-71	2658.6
Oct-71	2660
Nov-71	2661.1
Dec-71	2660.8
Jan-72	2661.8
Feb-72	2661.2
Mar-72	2661.6
Apr-72	2660.7
May-72	2659.3
Jun-72	2659.6
Jul-72	2657.3
Aug-72	2657.3
Sep-72	2657.5
Oct-72	2657
Nov-72	2658.3
Dec-72	2659.9
Jan-73	2657.5
Feb-73	2658.7
Mar-73	2659.9
Apr-73	2658.5
May-73	2656.4
Jun-73	2655.8
Jul-73	2654
Aug-73	2653.4
Sep-73	2653.9
Oct-73	2655.1
Nov-73	2656.7
Dec-73	2657.2
Feb-74	2658.2
Mar-74	2657.5
Apr-74	2657
May-74	2654.9
Jun-74	2652.9
Jul-74	2650.7
Aug-74	2651.6
Sep-74	2654.3
Oct-74	2656.5
Nov-74	2657.2
Dec-74	2657.1
Jan-75	2658.6
Feb-75	2659.1

Location: Little Rock, South of Palmdale
Ground Surface Elevation: 2777.0 ft above MSL

STATION	8825
	WS Elev.
Apr-75	2659.3
May-75	2657.2
Jun-75	2655.8
Jul-75	2655.6
Sep-75	2655.3
Oct-75	2655.2
Nov-75	2658.1
Dec-75	2657.2
Jan-76	2656.9
Feb-76	2658.3
Mar-76	2658.5
Apr-76	2657.7
May-76	2657.1
Jun-76	2655.7
Jul-76	2655.5
Aug-76	2654.1
Sep-76	2655.7
Oct-76	2657.3
Nov-76	2657.2
Dec-76	2658.9
Jan-77	2659.4
Feb-77	2659.5
Mar-77	2659.3
Apr-77	2659
May-77	2659
Jun-77	2657.4
Jul-77	2659.3
Aug-77	2657.3
Sep-77	2656.9
Oct-77	2657.6
Nov-77	2658.2
Dec-77	2659.3
Jan-78	2659.3
Feb-78	2660
Mar-78	2660.1
Apr-78	2660.3
May-78	2658.3
Jun-78	2658.3
Jul-78	2656.9
Aug-78	2656.2
Sep-78	2658.8
Oct-78	2659.3
Jan-79	2661.8
Mar-79	2663.5
Apr-79	2664.4

WATER CONSERVATION – SUMMARY – GROUND WATER

GROUND WATER FLUCTUATION:

Location: Little Rock, South of Palmdale
Ground Surface Elevation: 2777.0 ft above MSL

STATION	8825
	WS Elev.
Jun-79	2660
Sep-79	2658.8
Jan-80	2660.3
May-80	2667.4
Jun-80	2667.8
Jul-80	2668.4
Aug-80	2668.6
Sep-80	2670.4
Oct-80	2671.2
Nov-80	2671.6
Dec-80	2672.2
Jan-81	2672.6
Feb-81	2672.7
Apr-81	2672.6
May-81	2671.4
Jun-81	2671.2
Jul-81	2670.2
Aug-81	2667.4
Sep-81	2666.4
Oct-81	2669.3
Nov-81	2658.5
Dec-81	2670
Jan-82	2670.1
Feb-82	2669.9
Mar-82	2670.1
Apr-82	2669.1
May-82	2668.8
Jun-82	2668.2
Jul-82	2668.5
Aug-82	2668.2
Sep-82	2668.8
Oct-82	2668.3
Nov-82	2669.2
Dec-82	2669.3
Jan-83	2669.6
Feb-83	2669.6
Apr-83	2670
May-83	2669.7
Jun-83	2670
Jul-83	2670.2
Aug-83	2671.6
Sep-83	2672
Oct-83	2673.4
Nov-83	2673.8
Dec-83	2674.4

Location: Little Rock, South of Palmdale
Ground Surface Elevation: 2777.0 ft above MSL

STATION	8825
	WS Elev.
Jan-84	2674.7
Feb-84	2675.2
Mar-84	2675.2
Apr-84	2675
May-84	2674.4
Jun-84	2666.3
Jul-84	2665.8
Aug-84	2666.4
Sep-84	2670.7
Oct-84	2671.5
Nov-84	2672.7
Dec-84	2673.1
Jan-85	2670.9
Feb-85	2671.5
Jun-85	2664.1
Jul-85	2666.9
Aug-85	2666.1
Sep-85	2669.2
Oct-85	2669.5
Nov-85	2669.4
Dec-85	2669.5
Jan-86	2668.8
Feb-86	2669.4
Mar-86	2669.8
Apr-86	2666.3
May-86	2669.3
Jun-86	2668.9
Jul-86	2665.1
Aug-86	2663
Sep-86	2668
Oct-86	2658.9
Mar-87	2667.5
Apr-87	2659.1
Sep-87	2667
Oct-87	2666.8
Nov-87	2662.8
Dec-87	2670.3
Jan-88	2667.5
Feb-88	2667
Mar-88	2665.9
May-88	2665.3
Jun-88	2665.3
Aug-88	2662.9
Sep-88	2664
Oct-88	2661.3

WATER CONSERVATION – SUMMARY – GROUND WATER

GROUND WATER FLUCTUATION:

Location: Little Rock, South of Palmdale
Ground Surface Elevation: 2777.0 ft above MSL

STATION	8825
	WS Elev.
Jan-89	2661.6
Feb-89	2650.3
Mar-89	2665.8
Apr-89	2666.3
May-89	2665.5
Jun-89	2665.3
Aug-89	2663.3
Sep-89	2665.3
Oct-89	2661.3
Dec-89	2665.2
Jan-90	2661.2
Mar-90	2665.8
Apr-90	2665
May-90	2665
Jun-90	2665.6
Jul-90	2660.5
Oct-90	2665
Dec-90	2663
Mar-91	2663
Apr-91	2663
May-91	2665
Jun-91	2663
Jul-91	2661
Aug-91	2662
Sep-91	2663
Oct-91	2663
Nov-91	2661
Dec-91	2661
Jan-92	2661
Feb-92	2662
Mar-92	2662
Apr-92	2660
May-92	2660
Jun-92	2659
Jul-92	2661
Aug-92	2661
Sep-92	2661
Oct-92	2663
Nov-92	2663
Dec-92	2663
Feb-93	2663
Mar-93	2665
May-93	2665
Jun-93	2674
Jul-93	2667

Location: Little Rock, South of Palmdale
Ground Surface Elevation: 2777.0 ft above MSL

STATION	8825
	WS Elev.
Aug-93	2667
Sep-93	2670
Oct-93	2671
Nov-93	2671
Dec-93	2669
Jan-94	2669
Mar-94	2673
May-94	2670
Jul-94	2668
Aug-94	2671
Sep-94	2673
Jan-95	2667
Feb-95	2667
Mar-95	2670
Apr-95	2670
Jun-95	2670
Jul-95	2669
Aug-95	2667
Oct-95	2666
Dec-95	2671
Jan-96	2665
Feb-96	2666
Mar-96	2667
Apr-96	2667
Apr-97	2662
Oct-97	2661

WATER CONSERVATION – SUMMARY – GROUND WATER

GROUND WATER FLUCTUATION:

**Location: Antelope Valley, South of Lancaster
Ground Surface Elevation: 2512 ft above MSL**

STATION	9962 C	9962 B	9962 D	9974
	WS Elev.	WS Elev.	WS Elev.	WS Elev.
Apr-61	2236.8			
May-61	2237.4			
Jun-61	2235.8			
Jul-61	2232			
Aug-61	2233.3			
Sep-61	2231.6			
Oct-61	2231.7			
Nov-61	2233.4			
Dec-61	2233.5			
Jan-62	2237.1			
Feb-62	2237			
Mar-62	2237.8			
Apr-62	2235.9			
May-62	2233.2			
Jun-62	2231.1			
Jul-62	2229.4			
Aug-62	2227.4			
Sep-62	2226			
Oct-62	2226.5			
Nov-62	2229.7			
Jan-63	2231			
Feb-63	2230.4			
Mar-63	2229.8			
Apr-63	2230.1			
May-63	2227.3			
Jun-63	2225.9			
Jul-63	2223.9			
Aug-63	2221.7			
Sep-63	2221.2			
Oct-63	2222.5			
Nov-63	2224.8			
Dec-63	2225.8			
Jan-64	2225.6			
Feb-64	2227			
Mar-64	2227.4			
Apr-64	2226.4			
May-64	2224.3			
Jun-64	2221.5			
Jul-64	2217.6			
Aug-64	2216.1			
Sep-64	2216.2			
Oct-64	2216.3			
Nov-64	2218.9			
Jan-65	2221.2			
Feb-65	2220.1			

**Location: Antelope Valley, South of Lancaster
Ground Surface Elevation: 2512 ft above MSL**

STATION	9962 C	9962 B	9962 D	9974
	WS Elev.	WS Elev.	WS Elev.	WS Elev.
Mar-65	2219.5			
Apr-65	2220.6			
May-65	2218			
Jun-65	2215.4			
Jul-65	2211.6			
Aug-65	2210			
Sep-65	2210.7			
Oct-65	2210			
Nov-65	2212.2			
Dec-65	2215.1			
Jan-66	2215.8			
Feb-66	2217			
Mar-66	2214.7			
Apr-66	2213.3			
May-66	2210.9			
Jun-66	2209.2			
Jul-66	2206.9			
Aug-66	2205.6			
Oct-66	2207.6			
Dec-66	2211.1			
May-67	2198.4			
Aug-67	2208.4			
Oct-67	2203.4			
Nov-67	2204.3			
Dec-67	2206.4			
Jan-68	2207.5			
Feb-68	2207.4			
Mar-68	2206.8			
Apr-68	2205.2			
May-68	2203.7			
Jun-68	2202.2			
Jul-68	2200.5			
Aug-68	2199.7			
Sep-68	2199.6			
Oct-68	2200.3			
Nov-68	2199.4			
Dec-68	2194.6			
Feb-69	2197.7			
Mar-69	2201.6			
Apr-69	2203.2			
May-69	2201.2			
Jun-69	2200.3			
Jul-69	2198.9			
Aug-69	2197			
Sep-69	2198.5			

WATER CONSERVATION – SUMMARY – GROUND WATER

GROUND WATER FLUCTUATION:

**Location: Antelope Valley, South of Lancaster
Ground Surface Elevation: 2512 ft above MSL**

STATION	9962 C	9962 B	9962 D	9974
	WS Elev.	WS Elev.	WS Elev.	WS Elev.
Oct-69	2197.9			
Nov-69	2198.2			
Dec-69	2200.3			
Jan-70	2200.8			
Feb-70	2200.9			
Mar-70	2201.1			
Apr-70	2199.5			
May-70	2199.1			
Jun-70	2197.2			
Jul-70	2195.2			
Aug-70	2195			
Sep-70	2194.2			
Oct-70	2194.5			
Nov-70	2195.3			
Dec-70	2191.7			
Jan-71	2196.6			
Feb-71	2197.7			
Mar-71	2197.1			
Apr-71	2195.6			
May-71	2192.9			
Jun-71	2192.2			
Jul-71	2190.6			
Aug-71	2189.5			
Sep-71	2188.8			
Oct-71	2188.8			
Nov-71	2189.6			
Dec-71	2189.6			
Jan-72	2190.9			
Feb-72	2191			
Mar-72	2190.6			
Apr-72	2189.2			
May-72	2187			
Jun-72	2187.8			
Jul-72	2185.6			
Aug-72	2184.4			
Sep-72	2184.2			
Oct-72	2184.6			
Nov-72	2185.4			
Dec-72	2187.2			
Jan-73	2188.1			
Feb-73	2188.6			
Mar-73	2189.3			
Apr-73		2187		
May-73		2182.4		
Jun-73		2183.9		

**Location: Antelope Valley, South of Lancaster
Ground Surface Elevation: 2512 ft above MSL**

STATION	9962 C	9962 B	9962 D	9974
	WS Elev.	WS Elev.	WS Elev.	WS Elev.
Jul-73		2182.5		
Aug-73		2180.3		
Sep-73		2178.6		
Oct-73		2178.7		
Nov-73		2180.4		
Dec-73		2181.3		
Jan-74		2182.1		
Feb-74		2183.2		
Mar-74		2182.2		
Apr-74		2181.4		
May-74		2180.5		
Jun-74		2178.3		
Jul-74		2176.2		
Aug-74		2169.3		
Sep-74		2174.6		
Nov-74		2168	2176.9	
Dec-74			2177.1	
Jan-75			2177.6	
Feb-75			2177.7	
Mar-75			2177.6	
Apr-75			2176	2180
May-75			2176.3	2179
Jun-75			2174.9	
Jul-75			2174.4	
Aug-75			2173	2171.5
Sep-75			2172.4	2172.3
Oct-75			2172	
Nov-75			2169.2	
Dec-75			2168.7	2159
Jan-76			2168.7	2173.4
Feb-76			2173	2171
Mar-76				2161
Apr-76			2172	
May-76			2167.3	2170.8
Jun-76			2170.9	2168.5
Jul-76			2169.8	2169.5
Aug-76			2169.4	2166
Sep-76			2168.9	2165.1
Oct-76			2168.9	2167.2
Nov-76			2168.8	2168.5
Dec-76			2169.9	2168.2
Jan-77			2170.2	2170.2
Feb-77			2170	2170.1
Mar-77			2170	2169.5
May-77			2169	2167

WATER CONSERVATION – SUMMARY – GROUND WATER**GROUND WATER FLUCTUATION:**

Location: Antelope Valley, South of Lancaster
Ground Surface Elevation: 2512 ft above MSL

STATION	9962 C	9962 B	9962 D	9974
	WS Elev.	WS Elev.	WS Elev.	WS Elev.
Jun-77			2168.7	2166
Jul-77			2167.7	2164
Aug-77			2163.7	2163.2
Sep-77			2162	2162.5
Oct-77			2161	2162.6
Nov-77				2164.6
Dec-77				2164.3
Jan-78				2164.1
Feb-78				2165
Mar-78				2165.1
Apr-78				2165.1
May-78				2165
Jun-78				2161.8
Jul-78				2161.7
Aug-78				2160.9
Sep-78				2161.9
Oct-78				2161.5
Jan-79				2164.5
Mar-79				2165.1
Apr-79				2164.3
Jun-79				2161.4
Sep-79				2159.6
Mar-80				2162.9
Jun-80				2160.8
Sep-80				2158.7
Oct-80				2158.4
Nov-80				2159.3
Dec-80				2157.1
Jan-81				2156
Feb-81				2154.4
Apr-81				2160.7
May-81				2156.8
Jun-81				2151.2
Jul-81				2149.6
Aug-81				2152.3
Sep-81				2157.1
Oct-81				2158
Nov-81				2158.6
Dec-81				2159
Jan-82				2159.3
Feb-82				2158.3
Mar-82				2158.2
Apr-82				2154.7
May-82				2157.1
Jun-82				2153.7

Location: Antelope Valley, South of Lancaster
Ground Surface Elevation: 2512 ft above MSL

STATION	9962 C	9962 B	9962 D	9974
	WS Elev.	WS Elev.	WS Elev.	WS Elev.
Jul-82				2154.1
Aug-82				2146.8
Sep-82				2153
Nov-82				2152.6
Dec-82				2154.7
Jan-83				2153.8
Feb-83				2157
Apr-83				2156
May-83				2153.1
Jul-83				2145.1
Aug-83				2150.8
Sep-83				2150.4
Oct-83				2151.3
Nov-83				2151.5
Jan-84				2152.1
Feb-84				2151.4
Apr-84				2150.2
Jul-84				2147.7
Aug-84				2147.4
Sep-84				2147.6
Oct-84				2147
Nov-84				2147.3
Jan-85				2146.7
Feb-85				2149.1
Jun-85				2146.8
Jul-85				2144.9
Sep-85				2146
Oct-85				2146.2
Nov-85				2147
Jan-86				2146.9
Feb-86				2149
Mar-86				2147.7
Apr-86				2147.8
May-86				2146.7
Jun-86				2144.7
Aug-86				2144.1
Sep-86				2143
Oct-86				2142.4
Feb-87				2146.5
Mar-87				2146.3
Apr-87				2144
Mar-90				2144
Apr-90				2145
May-90				2148
Jun-90				2148

WATER CONSERVATION – SUMMARY – GROUND WATER

GROUND WATER FLUCTUATION:

Location: Antelope Valley, South of Lancaster
Ground Surface Elevation: 2512 ft above MSL

STATION	9962 C	9962 B	9962 D	9974
	WS Elev.	WS Elev.	WS Elev.	WS Elev.
Jul-90				2148
Aug-90				2147
Oct-90				2149
Dec-90				2145
Apr-91				2149
May-91				2145
Jun-91				2149
Jul-91				2137
Aug-91				2151
Sep-91				2153
Oct-91				2147
Nov-91				2149
Jan-92				2137
Feb-92				2147
Mar-92				2147
Apr-92				2142
Jun-92				2145
Jul-92				2145
Aug-92				2149
Oct-92				2147
Nov-92				2145
Dec-92				2146
Jan-93				2146
Feb-93				2147
Mar-93				2153
May-93				2147
Jun-93				2151
Jul-93				2147
Aug-93				2147
Sep-93				2149
Oct-93				2149
Nov-93				2149
Dec-93				2149
Jan-94				2147
Mar-94				2149
May-94				2147
Jul-94				2147
Aug-94				2149
Sep-94				2146
Feb-95				2145
Mar-95				2149
Apr-95				2149
Jun-95				2148
Jul-95				2151
Oct-97				2253

Location: Antelope Valley, South of Lancaster
Ground Surface Elevation: 2512 ft above MSL

STATION	9962 C	9962 B	9962 D	9974
	WS Elev.	WS Elev.	WS Elev.	WS Elev.

CUSTODIAN:

Unpublished information may be obtained by contacting:

County of Los Angeles
Department of Public Works
Water Resources Division
P.O. Box 1460
Alhambra, CA 91802-1460

...or telephone: (626) 458-6120